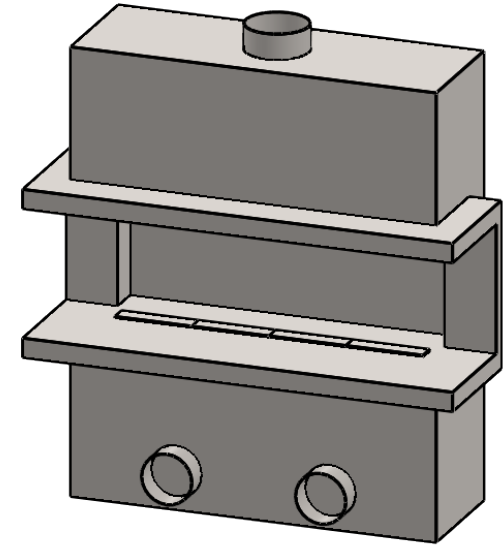
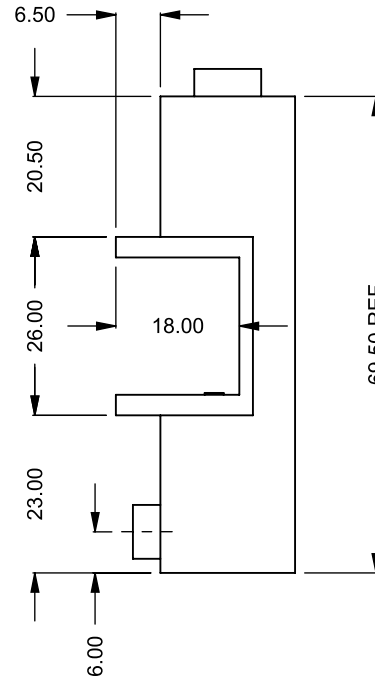
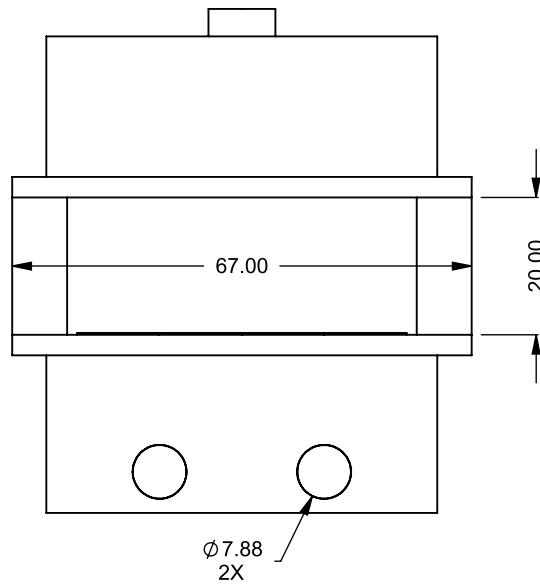
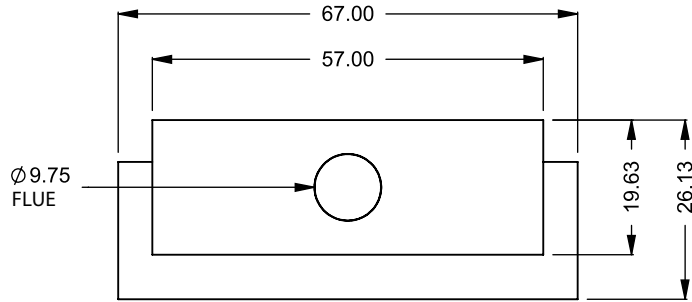


**PRELIMINARY
DRAWING ONLY** 

EXAMPLE CONFIGURATION	UNLESS OTHERWISE SPECIFIED	DATE
<p>MONTIGO COMMERCIAL FIREPLACES ARE CUSTOM BUILT FOR EACH PROJECT. THIS DRAWING IS FOR REFERENCE ONLY.</p> <p>FLUE AND AIR INTAKE SIZES ARE SUBJECT TO CHANGE DEPENDING ON VENT RUN.</p>	<p>DIMENSIONS ARE IN INCHES TOLERANCES: FRACTIONAL $\pm 1/8"$</p>	<p>15/10/2020</p>

C520PRC
Power COOL-Pack
Bottom Intake

MONTIGO
the art of **fireplaces**
www.montigo.com

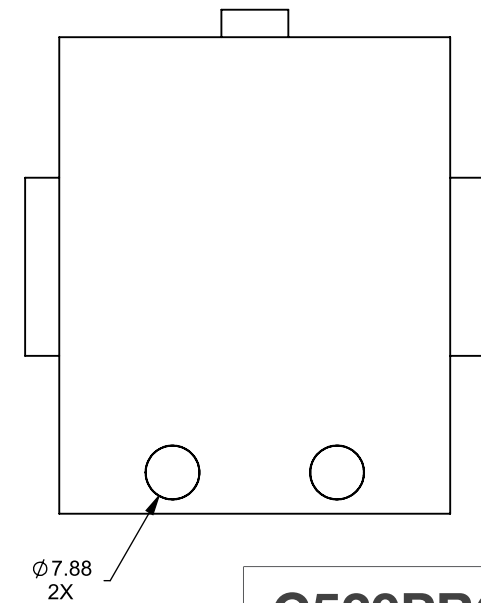
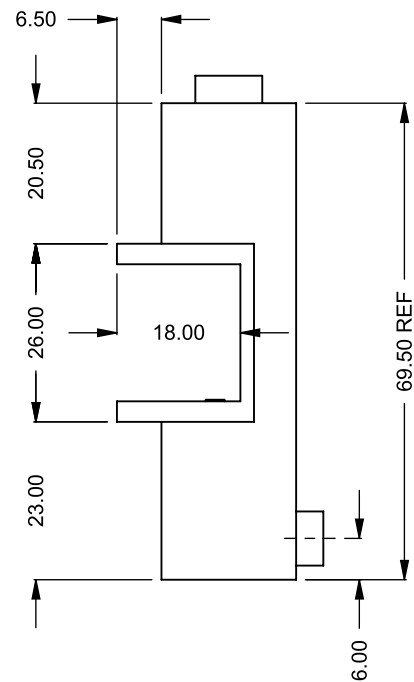
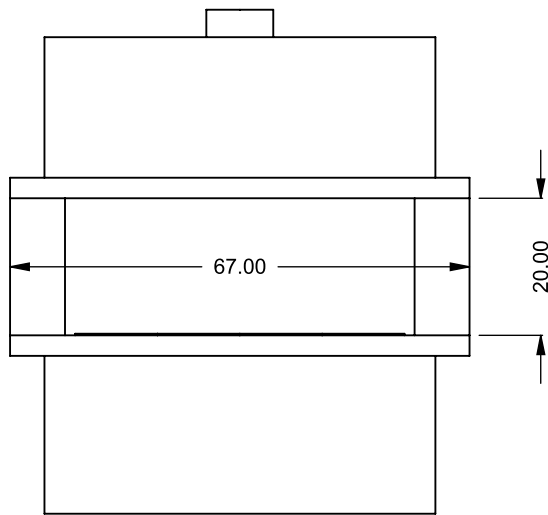
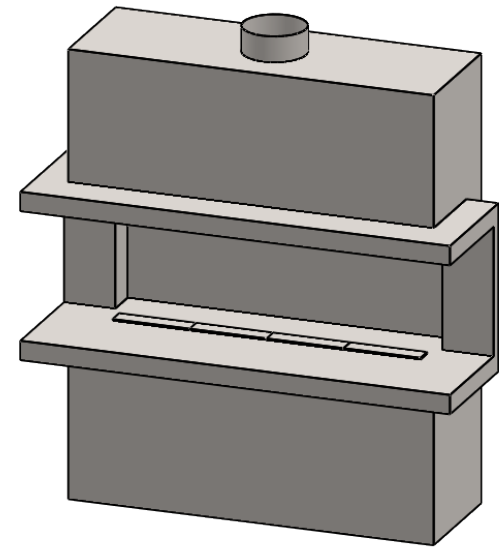
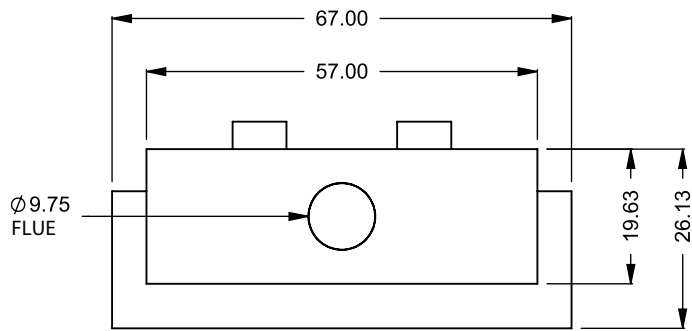


C520PRC
Power COOL-Pack
Front Intake

**PRELIMINARY
DRAWING ONLY** 

EXAMPLE CONFIGURATION	UNLESS OTHERWISE SPECIFIED	DATE
<p>MONTIGO COMMERCIAL FIREPLACES ARE CUSTOM BUILT FOR EACH PROJECT. THIS DRAWING IS FOR REFERENCE ONLY.</p> <p>FLUE AND AIR INTAKE SIZES ARE SUBJECT TO CHANGE DEPENDING ON VENT RUN.</p>	<p>DIMENSIONS ARE IN INCHES TOLERANCES: FRACTIONAL $\pm 1/8"$</p>	<p>15/10/2020</p>

MONTIGO
the art of **fireplaces**
www.montigo.com



C520PRC
 Power COOL-Pack
 Rear Intake

**PRELIMINARY
 DRAWING ONLY**

EXAMPLE CONFIGURATION

MONTIGO COMMERCIAL FIREPLACES ARE CUSTOM BUILT FOR EACH PROJECT. THIS DRAWING IS FOR REFERENCE ONLY.

FLUE AND AIR INTAKE SIZES ARE SUBJECT TO CHANGE DEPENDING ON VENT RUN.

UNLESS OTHERWISE SPECIFIED

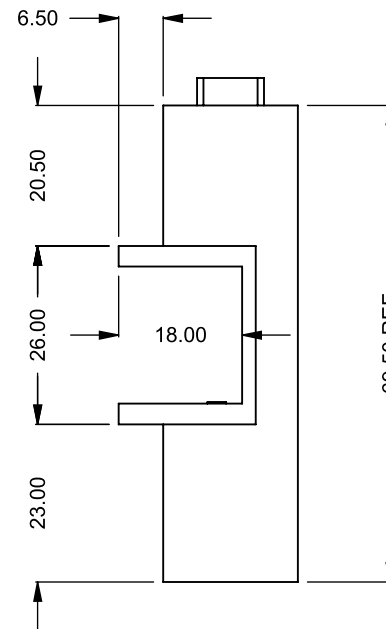
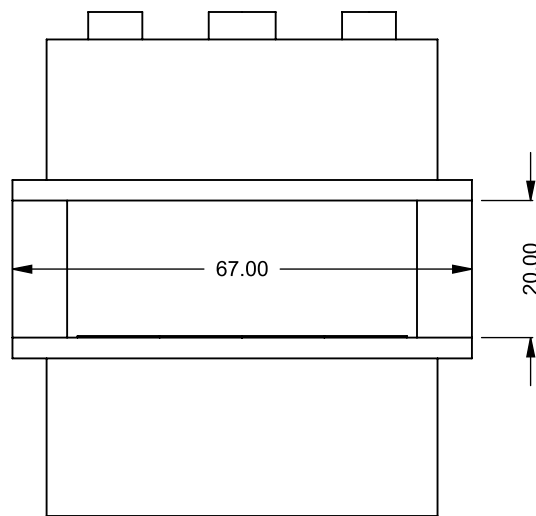
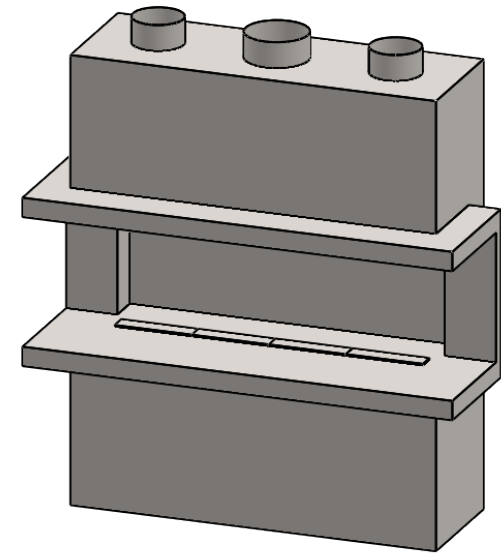
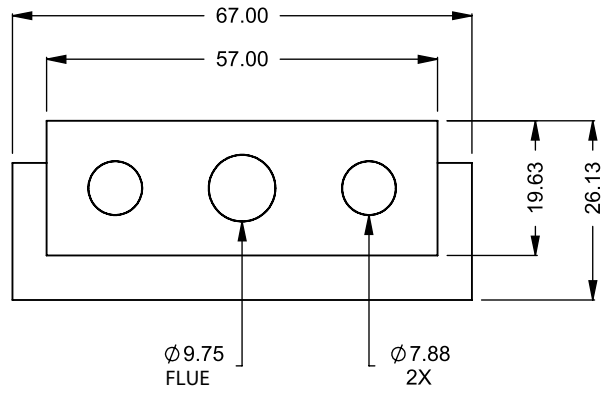
DIMENSIONS ARE IN INCHES
 TOLERANCES: FRACTIONAL $\pm 1/8"$

DATE

15/10/2020

MONTIGO
 the art of **fireplaces**

www.montigo.com



C520PRC
Power COOL-Pack
Top Intake

**PRELIMINARY
DRAWING ONLY** 

EXAMPLE CONFIGURATION

MONTIGO COMMERCIAL FIREPLACES ARE CUSTOM BUILT FOR EACH PROJECT. THIS DRAWING IS FOR REFERENCE ONLY.

FLUE AND AIR INTAKE SIZES ARE SUBJECT TO CHANGE DEPENDING ON VENT RUN.

UNLESS OTHERWISE SPECIFIED

DIMENSIONS ARE IN INCHES
TOLERANCES: FRACTIONAL $\pm 1/8"$

DATE

15/10/2020

MONTIGO
the art of **fireplaces**

www.montigo.com