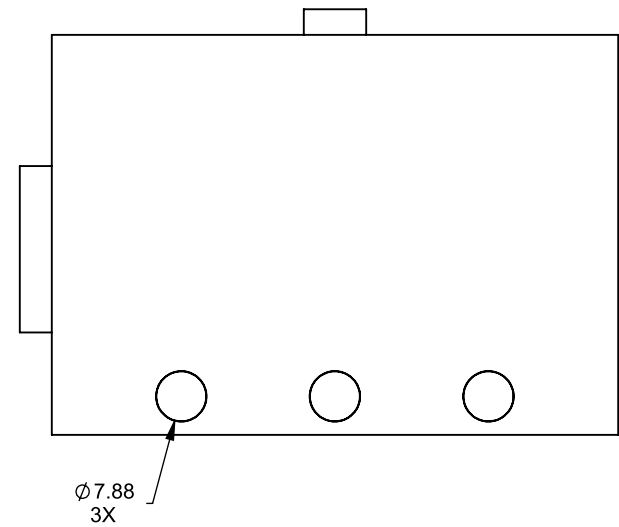
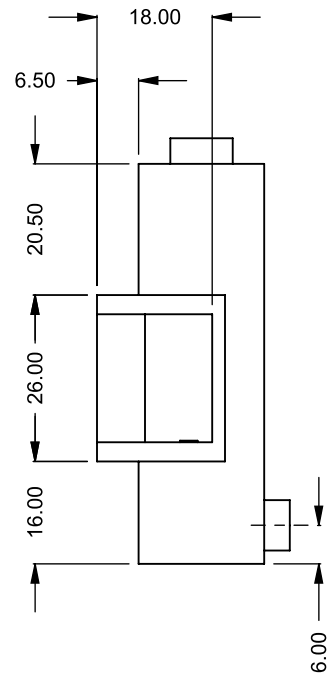
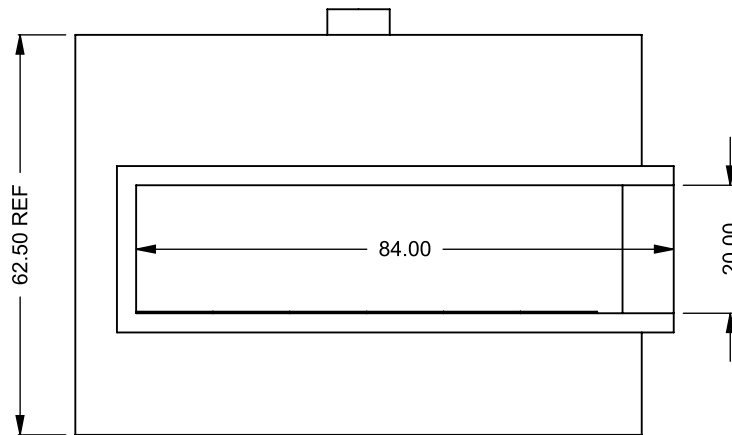
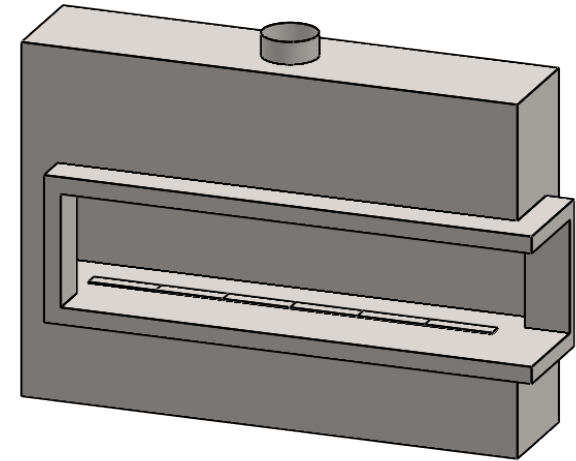
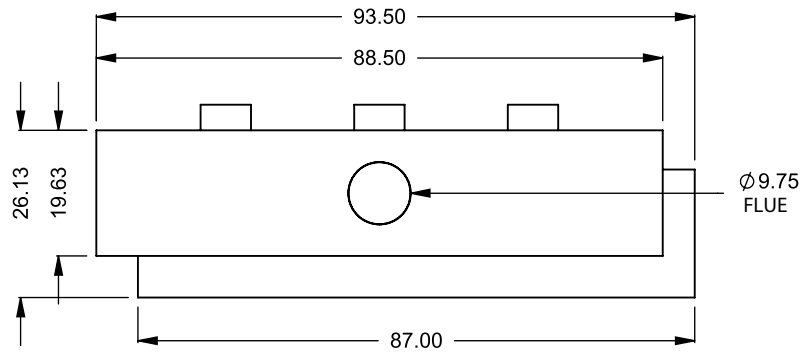


C720CR
 COOL-Pack
 Bottom Intake

**PRELIMINARY
 DRAWING ONLY** 

| EXAMPLE CONFIGURATION | UNLESS OTHERWISE SPECIFIED | DATE |
|--|---|------------|
| MONTIGO COMMERCIAL FIREPLACES ARE CUSTOM BUILT FOR EACH PROJECT. THIS DRAWING IS FOR REFERENCE ONLY. FLUE AND AIR INTAKE SIZES ARE SUBJECT TO CHANGE DEPENDING ON VENT RUN. | DIMENSIONS ARE IN INCHES TOLERANCES: FRACTIONAL $\pm 1/8"$ | 15/10/2020 |

MONTIGO
 the art of **fireplaces**
 www.montigo.com

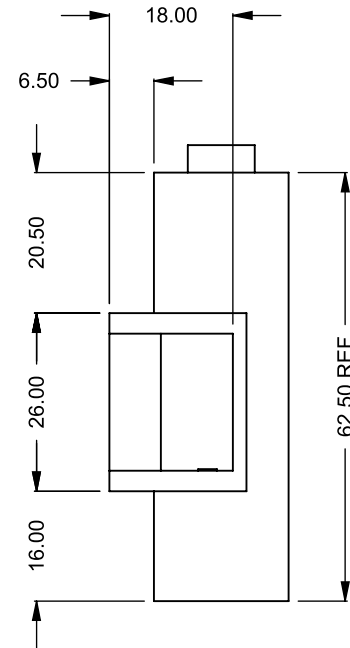
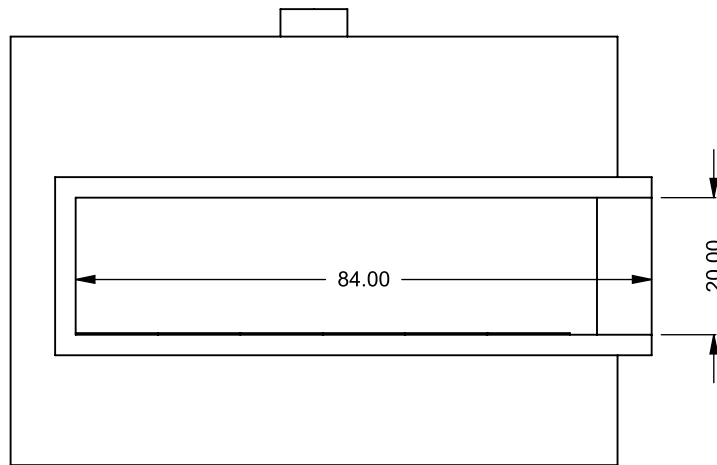
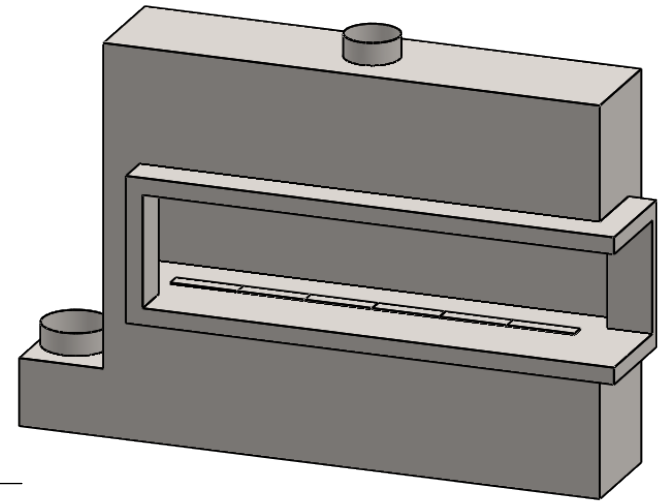
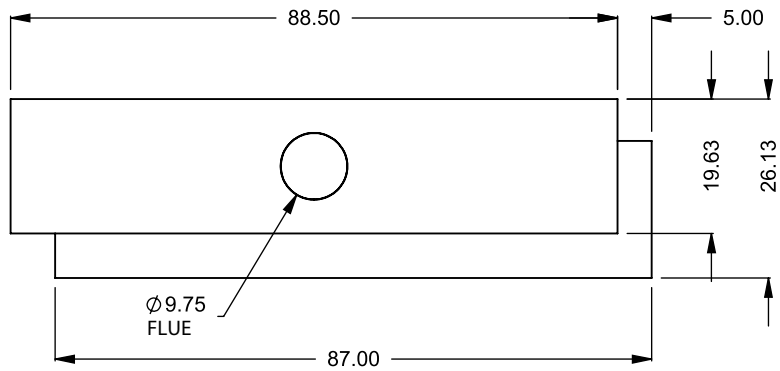


C720CR
 COOL-Pack
 Rear Intake

**PRELIMINARY
 DRAWING ONLY** 

| EXAMPLE CONFIGURATION | UNLESS OTHERWISE SPECIFIED | DATE |
|--|---|------------|
| MONTIGO COMMERCIAL FIREPLACES ARE CUSTOM BUILT FOR EACH PROJECT. THIS DRAWING IS FOR REFERENCE ONLY. FLUE AND AIR INTAKE SIZES ARE SUBJECT TO CHANGE DEPENDING ON VENT RUN. | DIMENSIONS ARE IN INCHES TOLERANCES: FRACTIONAL $\pm 1/8"$ | 15/10/2020 |

MONTIGO
 the art of **fireplaces**
 www.montigo.com

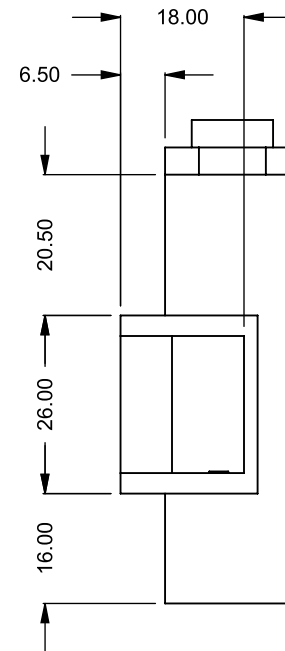
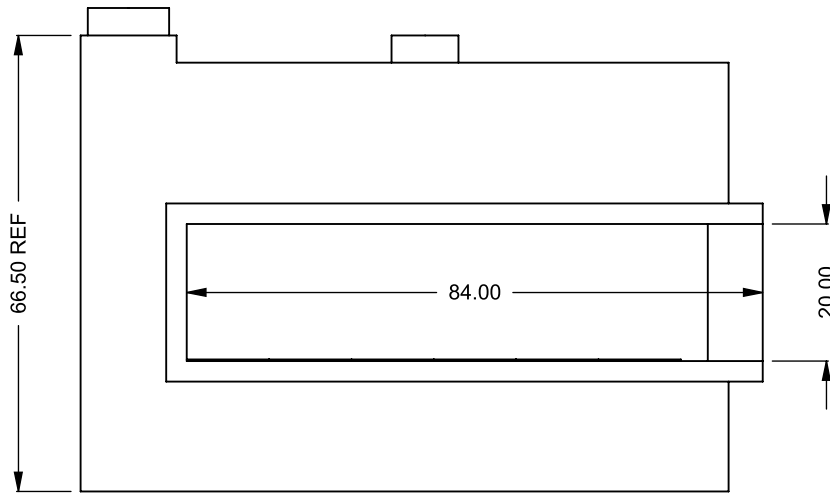
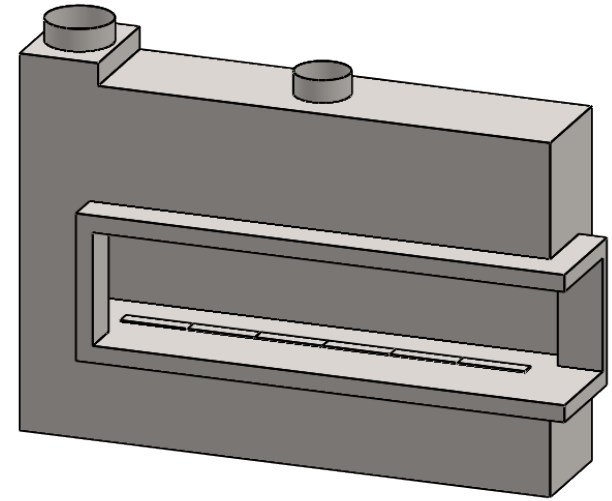
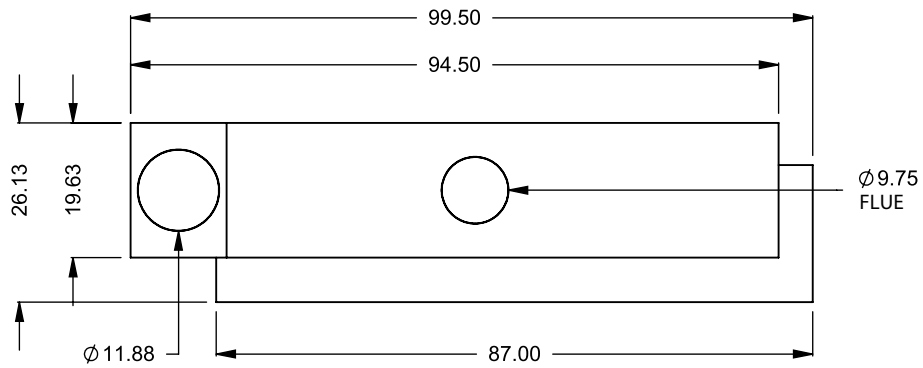


C720CR
 COOL-Pack
 One Side Left Intake

**PRELIMINARY
 DRAWING ONLY** 

| EXAMPLE CONFIGURATION | UNLESS OTHERWISE SPECIFIED | DATE |
|--|---|------------|
| MONTIGO COMMERCIAL FIREPLACES ARE CUSTOM BUILT FOR EACH PROJECT. THIS DRAWING IS FOR REFERENCE ONLY. FLUE AND AIR INTAKE SIZES ARE SUBJECT TO CHANGE DEPENDING ON VENT RUN. | DIMENSIONS ARE IN INCHES TOLERANCES: FRACTIONAL $\pm 1/8"$ | 15/10/2020 |

MONTIGO
 the art of **fireplaces**
 www.montigo.com



C720CR
COOL-Pack
Top One Side Left Intake

**PRELIMINARY
DRAWING ONLY** 

EXAMPLE CONFIGURATION

MONTIGO COMMERCIAL FIREPLACES ARE CUSTOM BUILT FOR EACH PROJECT. THIS DRAWING IS FOR REFERENCE ONLY.

FLUE AND AIR INTAKE SIZES ARE SUBJECT TO CHANGE DEPENDING ON VENT RUN.

UNLESS OTHERWISE SPECIFIED

DIMENSIONS ARE IN INCHES
TOLERANCES: FRACTIONAL $\pm 1/8"$

DATE

15/10/2020

MONTIGO
the art of **fireplaces**

www.montigo.com