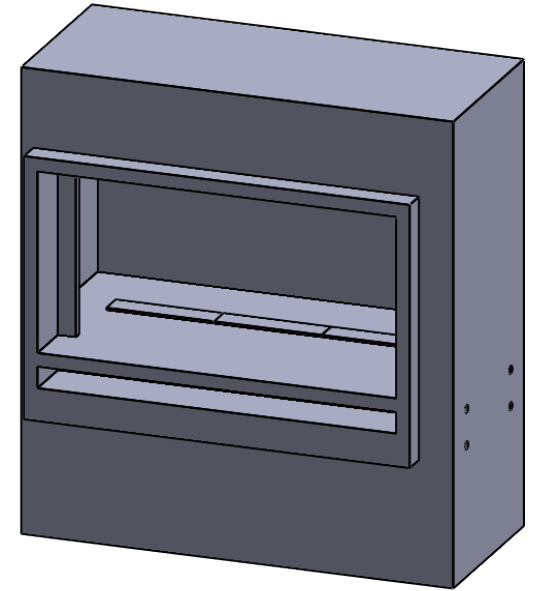
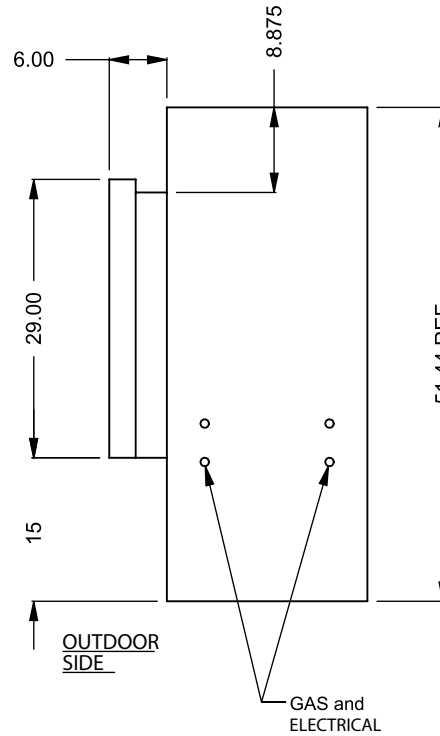
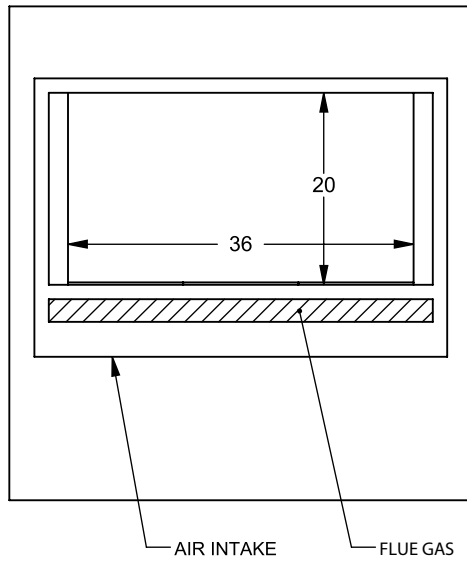
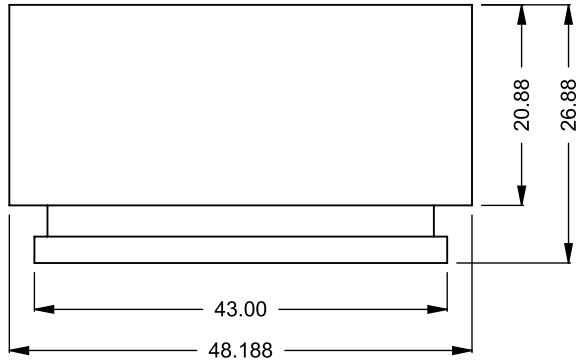


STANDARD BUILD IS FULL STAINLESS STEEL CONSTRUCTION. PLEASE INQUIRE FOR CUSTOM OPTIONS TO INCLUDE BLACK GALVANNEALED STEEL PARTS OR AREAS.

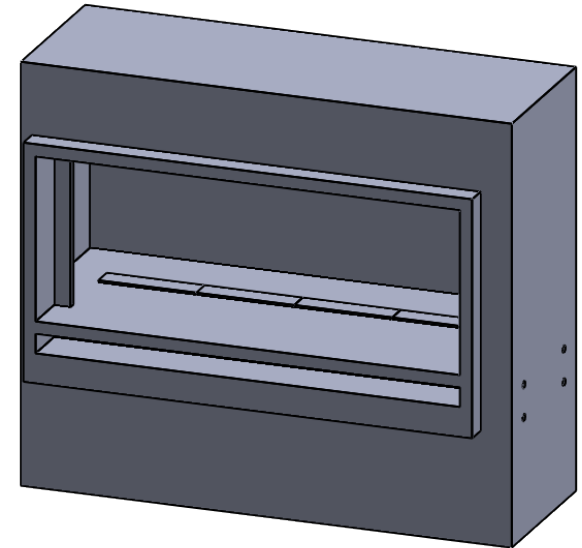
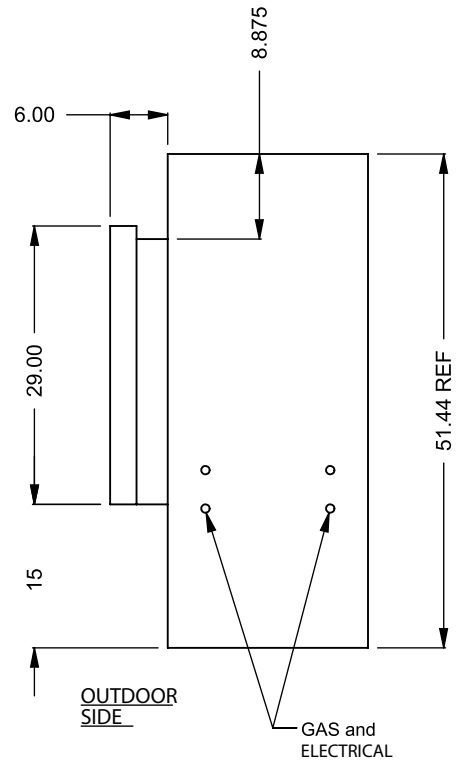
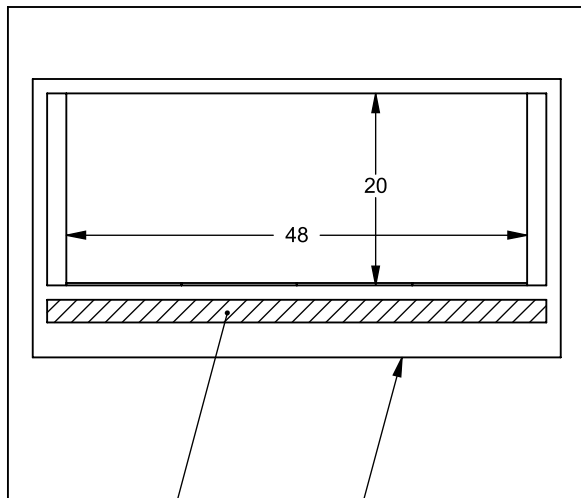
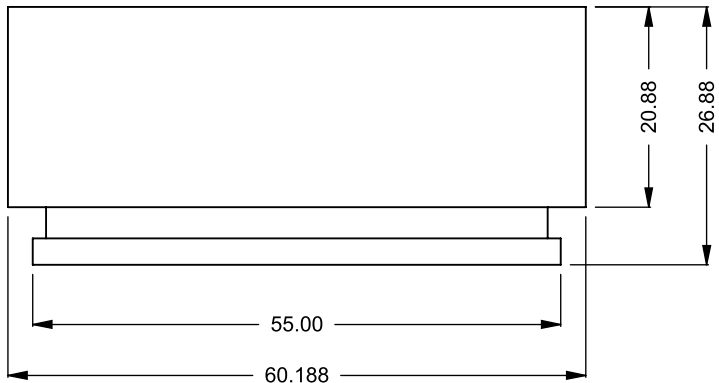


**C3200DD**  
Power COOL-Pack  
**Front Intake**

**PRELIMINARY  
DRAWING ONLY**

| EXAMPLE CONFIGURATION   | UNLESS OTHERWISE SPECIFIED   | DATE              |
|---|--|-------------------|
| <p>MONTIGO COMMERCIAL FIREPLACES ARE CUSTOM BUILT FOR EACH PROJECT. THIS DRAWING IS FOR REFERENCE ONLY.</p> <p>FLUE AND AIR INTAKE SIZES ARE SUBJECT TO CHANGE DEPENDING ON VENT RUN.</p> | <p>DIMENSIONS ARE IN INCHES<br/>TOLERANCES: FRACTIONAL <math>\pm 1/8"</math></p> | <p>28/08/2020</p> |

STANDARD BUILD IS FULL STAINLESS STEEL CONSTRUCTION.  
PLEASE INQUIRE FOR CUSTOM OPTIONS TO INCLUDE BLACK GALVANNEALED STEEL PARTS OR AREAS.



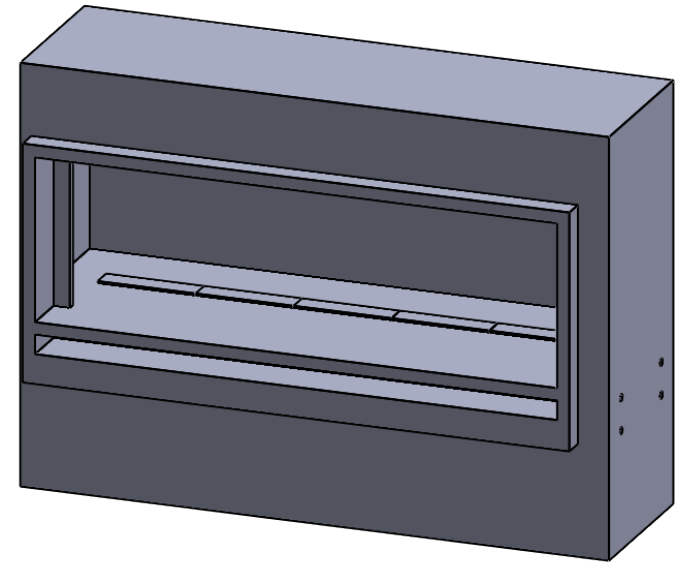
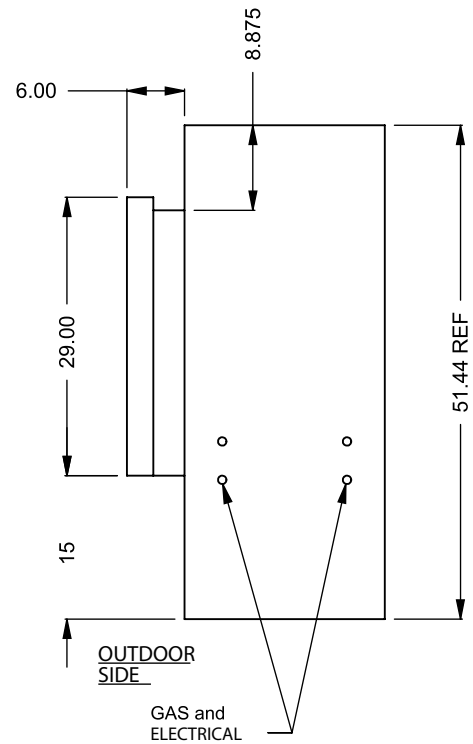
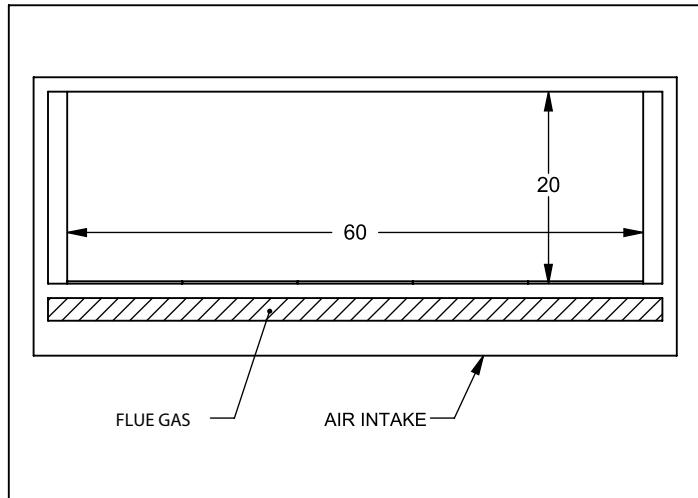
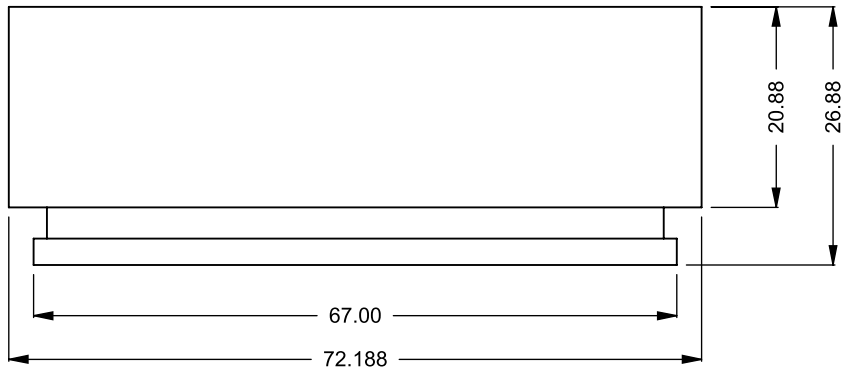
**C4200DD**  
Power COOL-Pack  
**Front Intake**

**PRELIMINARY  
DRAWING ONLY** 

| EXAMPLE CONFIGURATION  | UNLESS OTHERWISE SPECIFIED                                    | DATE       |
|--|---|------------|
| MONTIGO COMMERCIAL FIREPLACES ARE CUSTOM BUILT FOR EACH PROJECT. THIS DRAWING IS FOR REFERENCE ONLY.<br><br>FLUE AND AIR INTAKE SIZES ARE SUBJECT TO CHANGE DEPENDING ON VENT RUN. | DIMENSIONS ARE IN INCHES<br>TOLERANCES: FRACTIONAL $\pm 1/8"$ | 15/10/2020 |

**MONTIGO**  
the art of **fireplaces**  
www.montigo.com

STANDARD BUILD IS FULL STAINLESS STEEL CONSTRUCTION. PLEASE INQUIRE FOR CUSTOM OPTIONS TO INCLUDE BLACK GALVANNEALED STEEL PARTS OR AREAS.



**C5200DD**  
Power COOL-Pack  
**Front Intake**

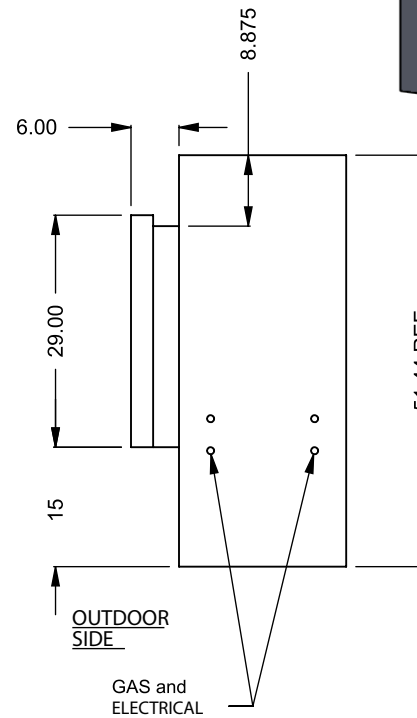
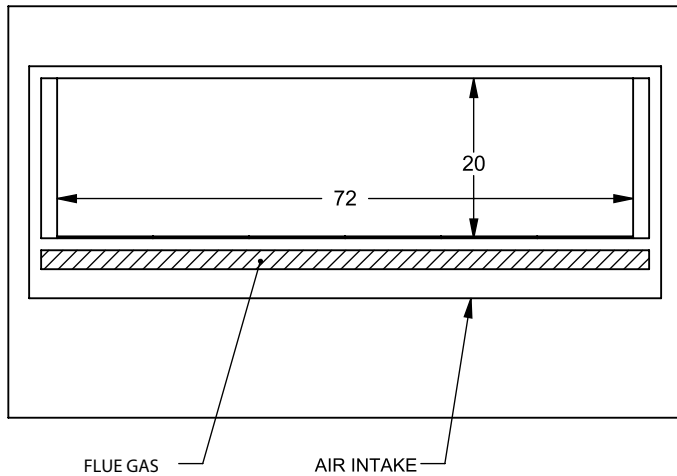
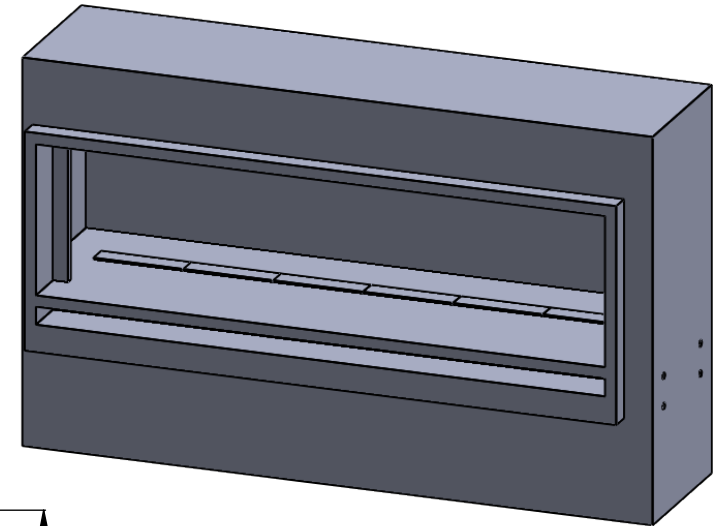
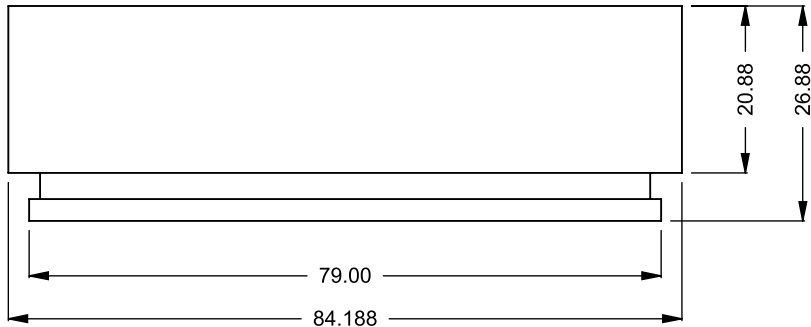
**PRELIMINARY DRAWING ONLY**

| EXAMPLE CONFIGURATION  | UNLESS OTHERWISE SPECIFIED                                    | DATE       |
|--|---|------------|
| MONTIGO COMMERCIAL FIREPLACES ARE CUSTOM BUILT FOR EACH PROJECT. THIS DRAWING IS FOR REFERENCE ONLY.<br><br>FLUE AND AIR INTAKE SIZES ARE SUBJECT TO CHANGE DEPENDING ON VENT RUN. | DIMENSIONS ARE IN INCHES<br>TOLERANCES: FRACTIONAL $\pm 1/8"$ | 15/10/2020 |

DATE  
15/10/2020

**MONTIGO**  
the art of **fireplaces**  
www.montigo.com

STANDARD BUILD IS FULL STAINLESS STEEL CONSTRUCTION.  
PLEASE INQUIRE FOR CUSTOM OPTIONS TO INCLUDE BLACK GALVANNEALED STEEL PARTS OR AREAS.



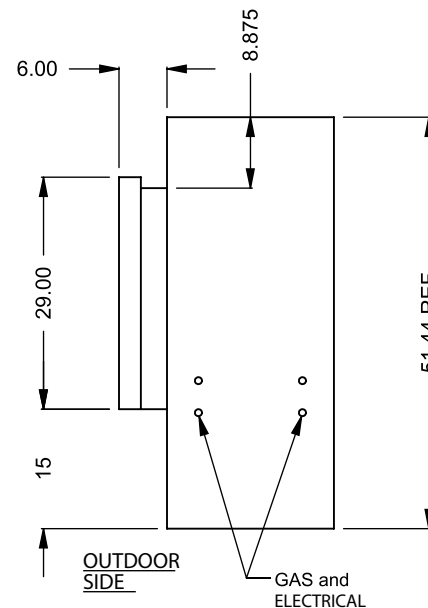
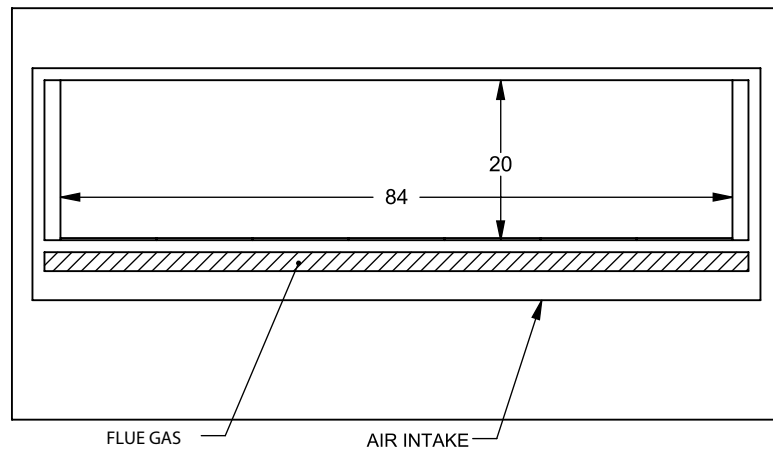
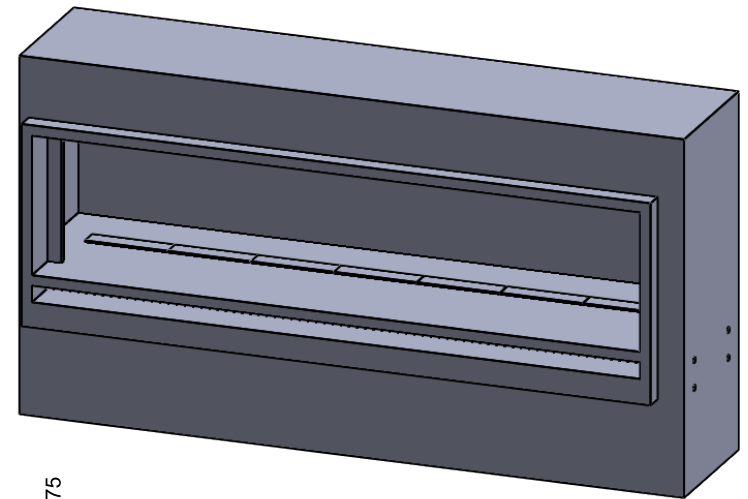
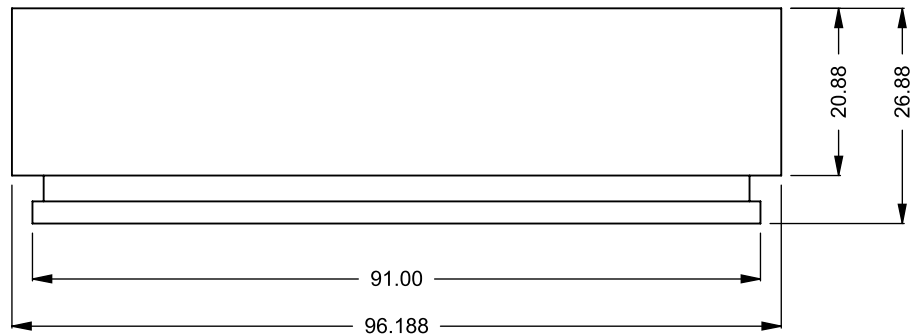
**C6200DD**  
Power COOL-Pack  
**Front Intake**

**PRELIMINARY  
DRAWING ONLY**

| EXAMPLE CONFIGURATION  | UNLESS OTHERWISE SPECIFIED                                    | DATE       |
|--|---|------------|
| MONTIGO COMMERCIAL FIREPLACES ARE CUSTOM BUILT FOR EACH PROJECT. THIS DRAWING IS FOR REFERENCE ONLY.<br><br>FLUE AND AIR INTAKE SIZES ARE SUBJECT TO CHANGE DEPENDING ON VENT RUN. | DIMENSIONS ARE IN INCHES<br>TOLERANCES: FRACTIONAL $\pm 1/8"$ | 15/10/2020 |

www.montigo.com

STANDARD BUILD IS FULL STAINLESS STEEL CONSTRUCTION.  
PLEASE INQUIRE FOR CUSTOM OPTIONS TO INCLUDE BLACK GALVANNEALED STEEL PARTS OR AREAS.



**C7200DD**  
Power COOL-Pack  
**Front Intake**

**PRELIMINARY  
DRAWING ONLY** 

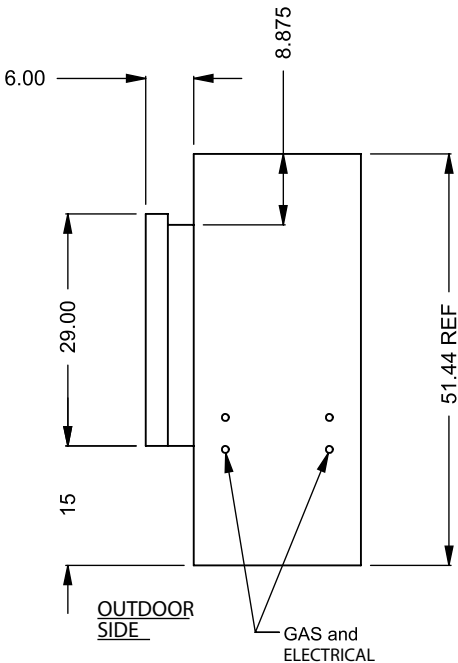
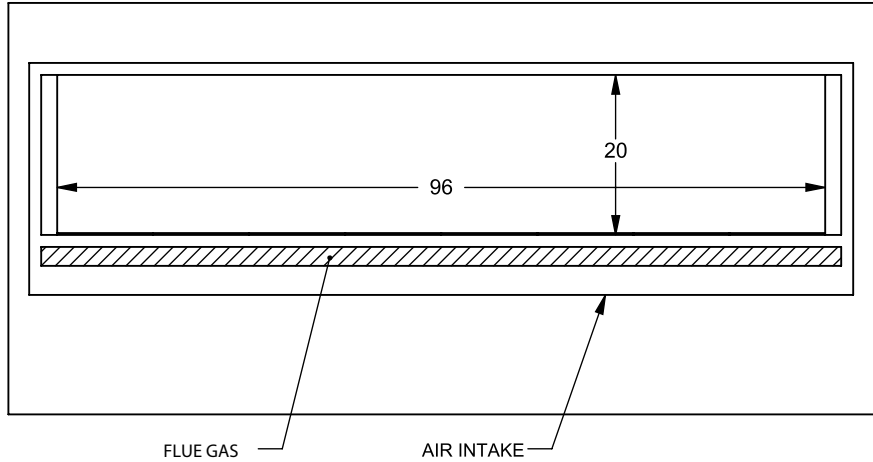
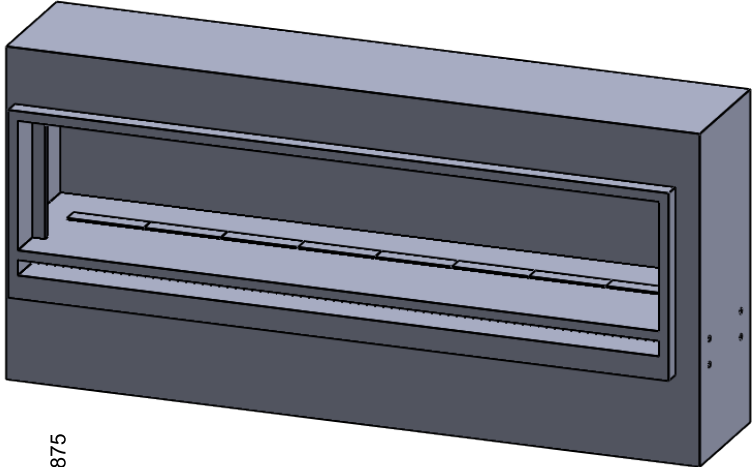
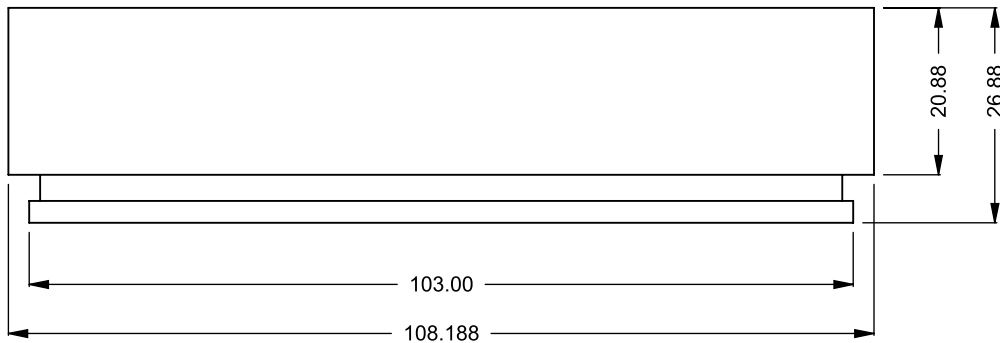
**EXAMPLE CONFIGURATION**  
MONTIGO COMMERCIAL FIREPLACES ARE CUSTOM BUILT FOR EACH PROJECT. THIS DRAWING IS FOR REFERENCE ONLY.  
  
FLUE AND AIR INTAKE SIZES ARE SUBJECT TO CHANGE DEPENDING ON VENT RUN.

**UNLESS OTHERWISE SPECIFIED**  
DIMENSIONS ARE IN INCHES  
TOLERANCES: FRACTIONAL  $\pm 1/8"$

**DATE**  
15/10/2020

**MONTIGO**  
the art of **fireplaces**  
www.montigo.com

STANDARD BUILD IS FULL STAINLESS STEEL CONSTRUCTION.  
PLEASE INQUIRE FOR CUSTOM OPTIONS TO INCLUDE BLACK GALVANNEALED STEEL PARTS OR AREAS.



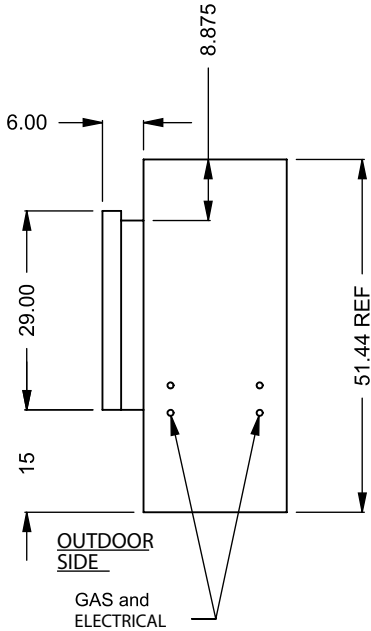
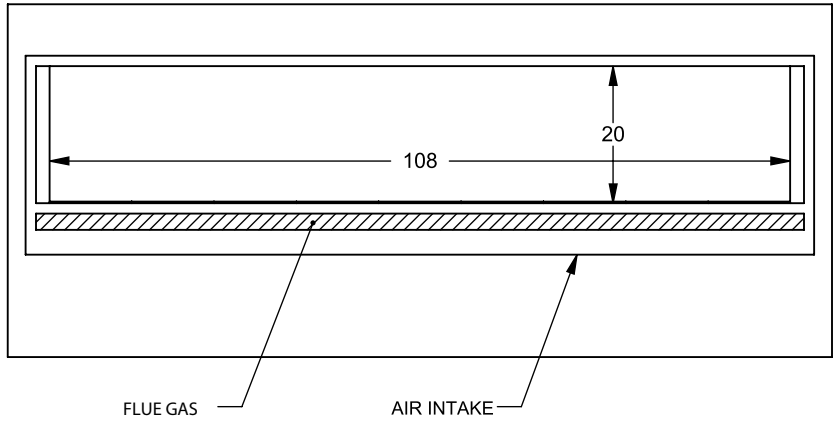
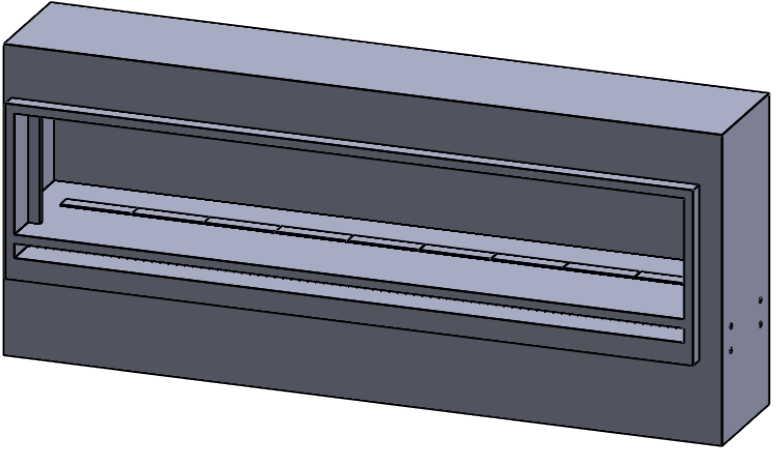
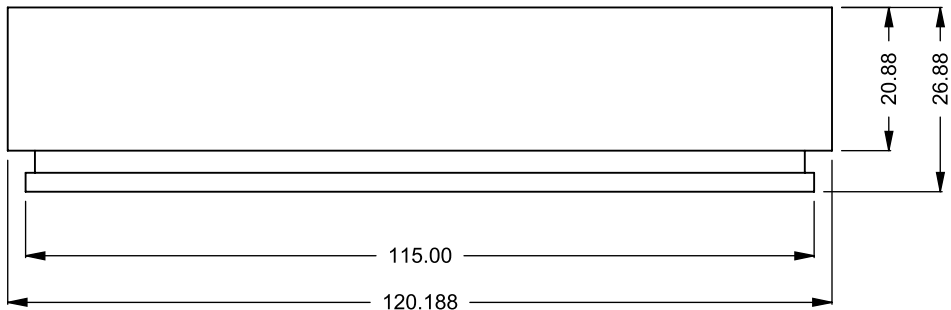
**C8200DD**  
Power COOL-Pack  
**Front Intake**

**PRELIMINARY  
DRAWING ONLY** 

| EXAMPLE CONFIGURATION   | UNLESS OTHERWISE SPECIFIED   | DATE              |
|---|--|-------------------|
| <p>MONTIGO COMMERCIAL FIREPLACES ARE CUSTOM BUILT FOR EACH PROJECT. THIS DRAWING IS FOR REFERENCE ONLY.</p> <p>FLUE AND AIR INTAKE SIZES ARE SUBJECT TO CHANGE DEPENDING ON VENT RUN.</p> | <p>DIMENSIONS ARE IN INCHES<br/>TOLERANCES: FRACTIONAL <math>\pm 1/8"</math></p> | <p>15/10/2020</p> |

**MONTIGO**  
the art of **fireplaces**  
www.montigo.com

STANDARD BUILD IS FULL STAINLESS STEEL CONSTRUCTION.  
PLEASE INQUIRE FOR CUSTOM OPTIONS TO INCLUDE BLACK GALVANNEALED STEEL PARTS OR AREAS.



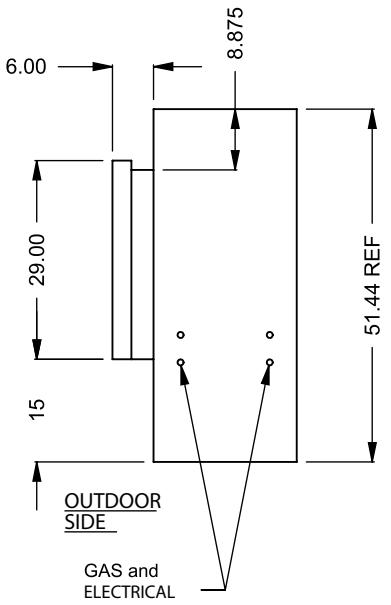
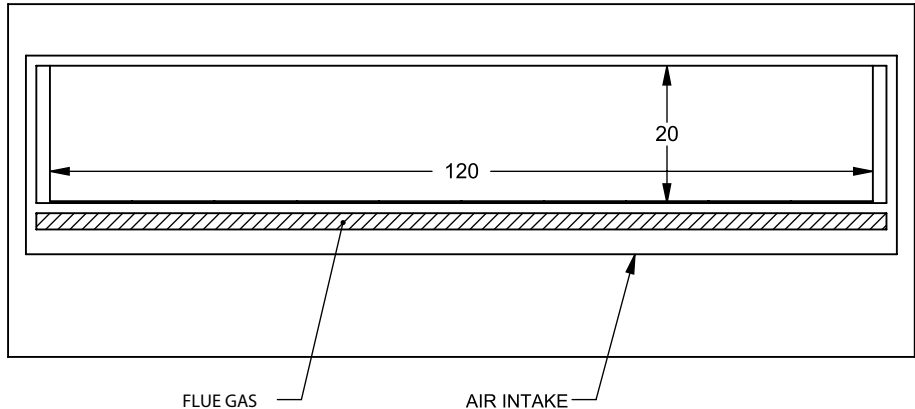
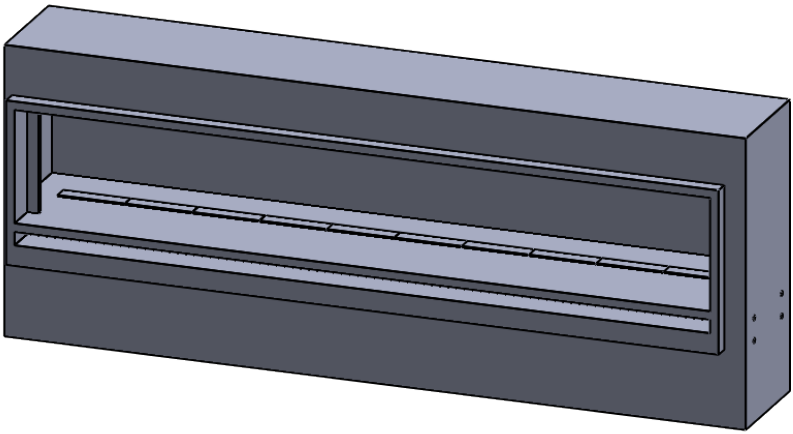
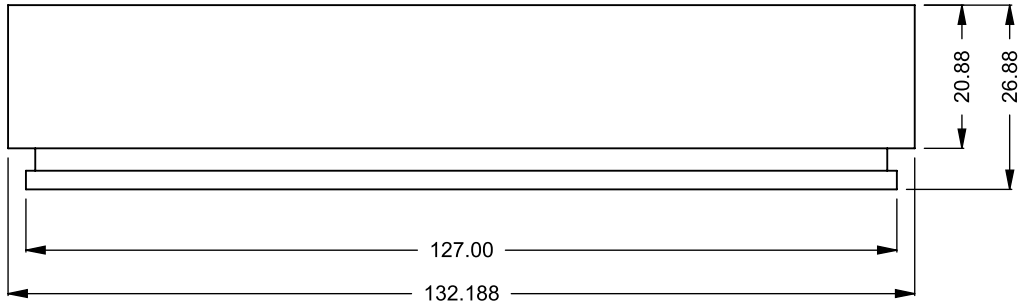
**C9200DD**  
Power COOL-Pack  
**Front Intake**

**PRELIMINARY  
DRAWING ONLY**

| EXAMPLE CONFIGURATION  | UNLESS OTHERWISE SPECIFIED                                    | DATE       |
|--|---|------------|
| MONTIGO COMMERCIAL FIREPLACES ARE CUSTOM BUILT FOR EACH PROJECT. THIS DRAWING IS FOR REFERENCE ONLY.<br><br>FLUE AND AIR INTAKE SIZES ARE SUBJECT TO CHANGE DEPENDING ON VENT RUN. | DIMENSIONS ARE IN INCHES<br>TOLERANCES: FRACTIONAL $\pm 1/8"$ | 15/10/2020 |

**MONTIGO**  
the art of **fireplaces**  
www.montigo.com

STANDARD BUILD IS FULL STAINLESS STEEL CONSTRUCTION.  
PLEASE INQUIRE FOR CUSTOM OPTIONS TO INCLUDE BLACK GALVANNEALED STEEL PARTS OR AREAS.



**C1020ODD**  
Power COOL-Pack  
**Front Intake**

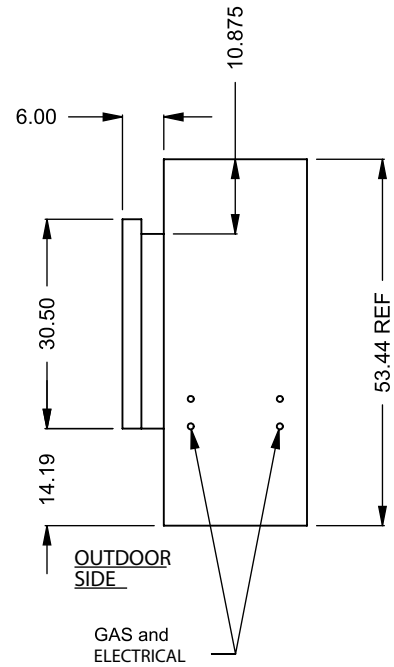
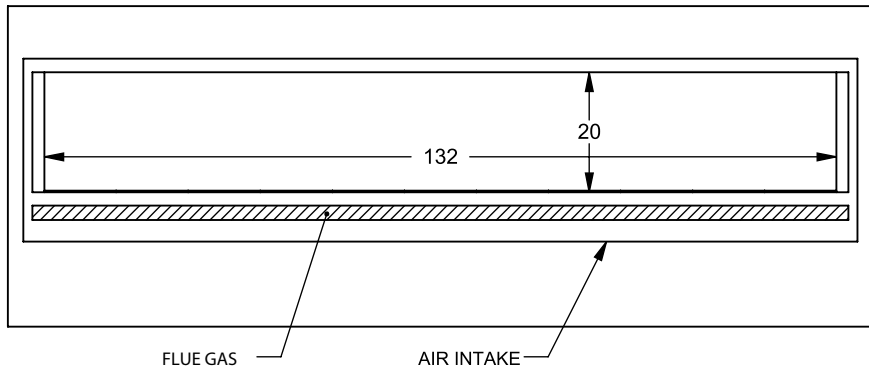
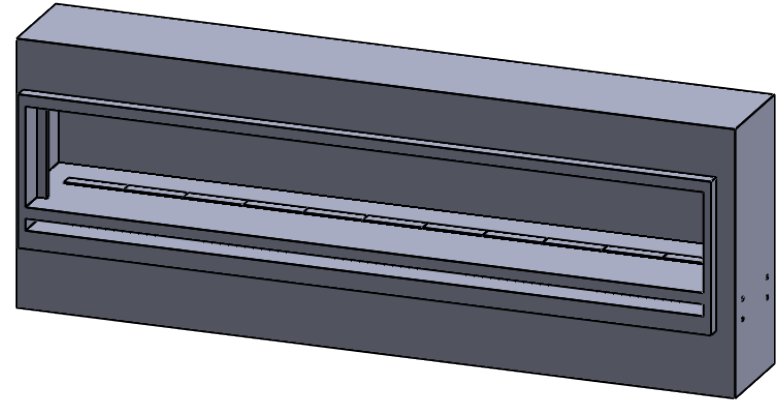
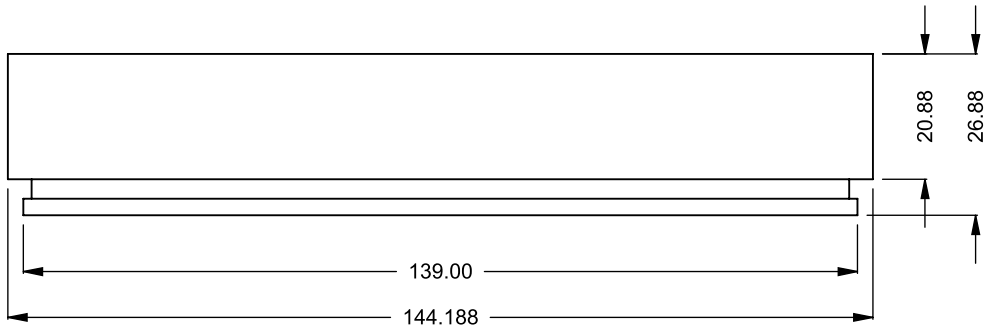
**PRELIMINARY  
DRAWING ONLY**

| EXAMPLE CONFIGURATION  | UNLESS OTHERWISE SPECIFIED                                    | DATE       |
|--|---|------------|
| MONTIGO COMMERCIAL FIREPLACES ARE CUSTOM BUILT FOR EACH PROJECT. THIS DRAWING IS FOR REFERENCE ONLY.<br><br>FLUE AND AIR INTAKE SIZES ARE SUBJECT TO CHANGE DEPENDING ON VENT RUN. | DIMENSIONS ARE IN INCHES<br>TOLERANCES: FRACTIONAL $\pm 1/8"$ | 15/10/2020 |

**MONTIGO**  
the art of **fireplaces**  
www.montigo.com



STANDARD BUILD IS FULL STAINLESS STEEL CONSTRUCTION.  
PLEASE INQUIRE FOR CUSTOM OPTIONS TO INCLUDE BLACK GALVANNEALED STEEL PARTS OR AREAS.



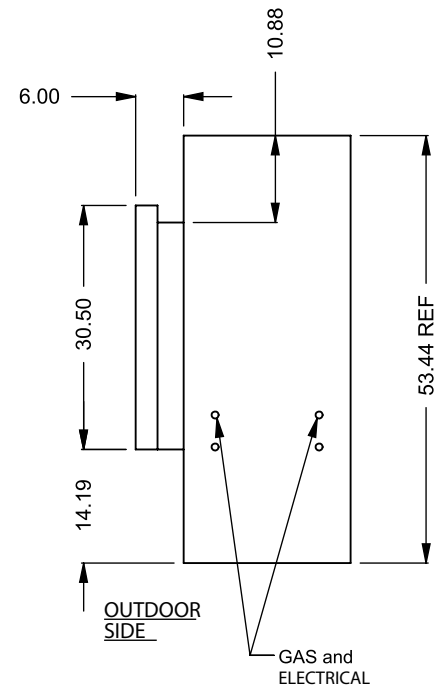
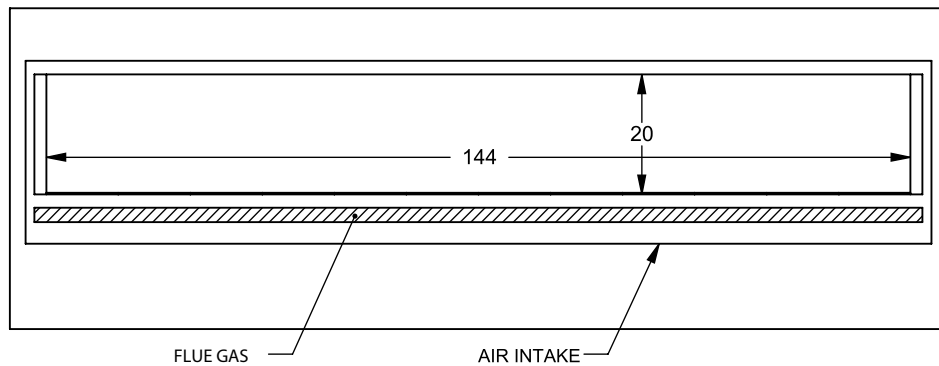
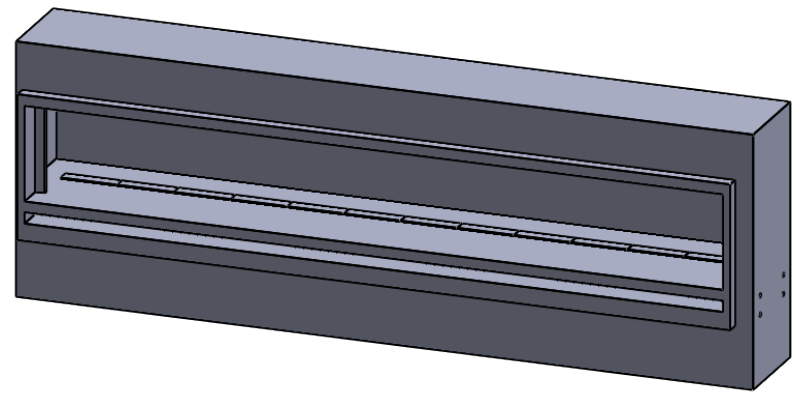
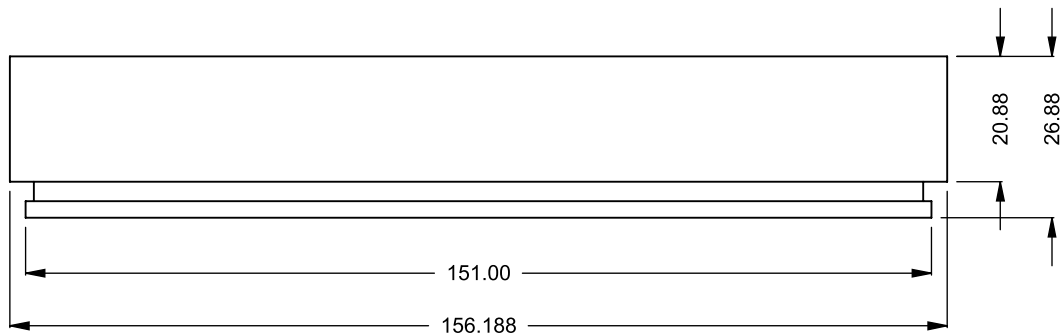
**C11200DD**  
Power COOL-Pack  
**Front Intake**

**PRELIMINARY  
DRAWING ONLY**

| EXAMPLE CONFIGURATION  | UNLESS OTHERWISE SPECIFIED                                    | DATE       |
|--|---|------------|
| MONTIGO COMMERCIAL FIREPLACES ARE CUSTOM BUILT FOR EACH PROJECT. THIS DRAWING IS FOR REFERENCE ONLY.<br><br>FLUE AND AIR INTAKE SIZES ARE SUBJECT TO CHANGE DEPENDING ON VENT RUN. | DIMENSIONS ARE IN INCHES<br>TOLERANCES: FRACTIONAL $\pm 1/8"$ | 15/10/2020 |

**MONTIGO**  
the art of **fireplaces**  
www.montigo.com

STANDARD BUILD IS FULL STAINLESS STEEL CONSTRUCTION.  
PLEASE INQUIRE FOR CUSTOM OPTIONS TO INCLUDE BLACK GALVANNEALED STEEL PARTS OR AREAS.



**C1220DD**  
Power COOL-Pack  
**Front Intake**

**PRELIMINARY  
DRAWING ONLY**

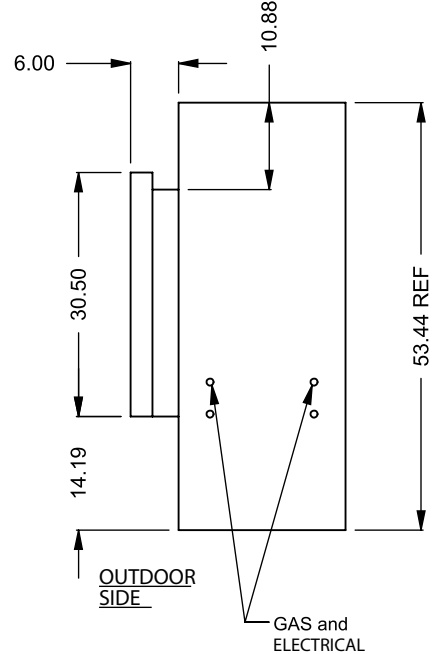
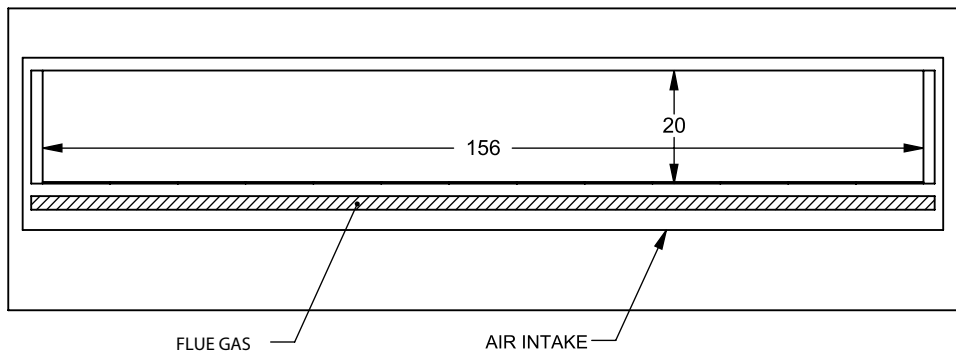
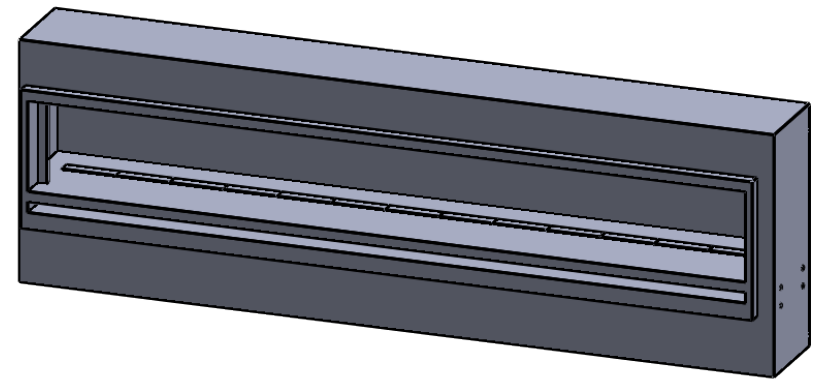
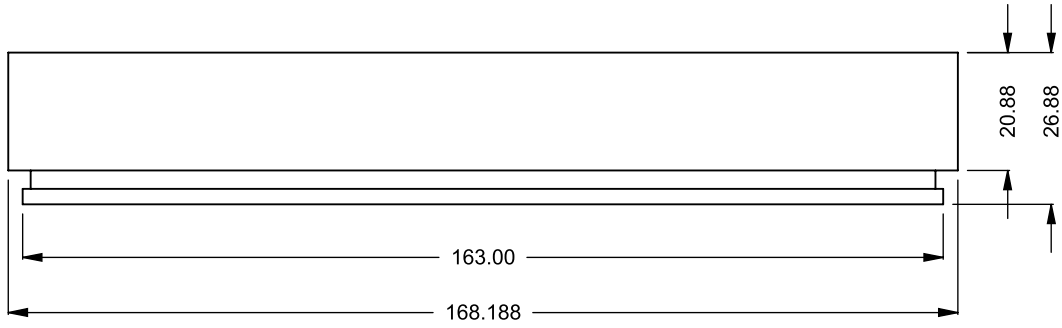
**EXAMPLE CONFIGURATION**  
MONTIGO COMMERCIAL FIREPLACES ARE CUSTOM BUILT FOR EACH PROJECT. THIS DRAWING IS FOR REFERENCE ONLY.  
FLUE AND AIR INTAKE SIZES ARE SUBJECT TO CHANGE DEPENDING ON VENT RUN.

**UNLESS OTHERWISE SPECIFIED**  
DIMENSIONS ARE IN INCHES  
TOLERANCES: FRACTIONAL  $\pm 1/8"$

**DATE**  
15/10/2020

**MONTIGO**  
the art of **fireplaces**  
www.montigo.com

STANDARD BUILD IS FULL STAINLESS STEEL CONSTRUCTION.  
PLEASE INQUIRE FOR CUSTOM OPTIONS TO INCLUDE BLACK GALVANNEALED STEEL PARTS OR AREAS.



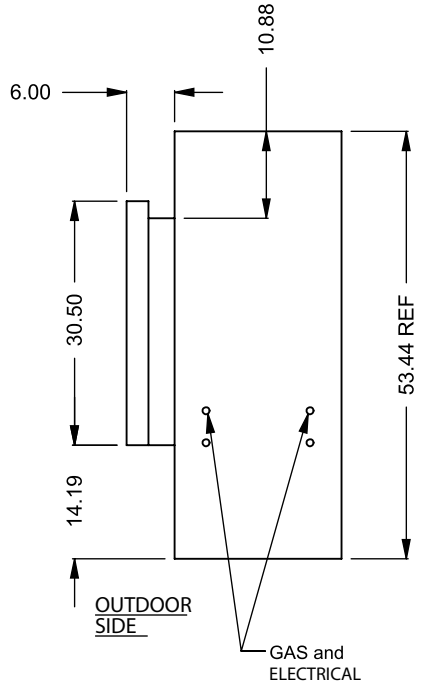
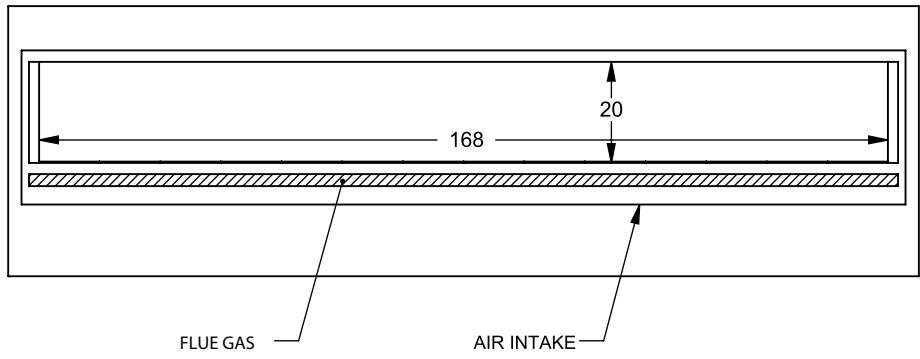
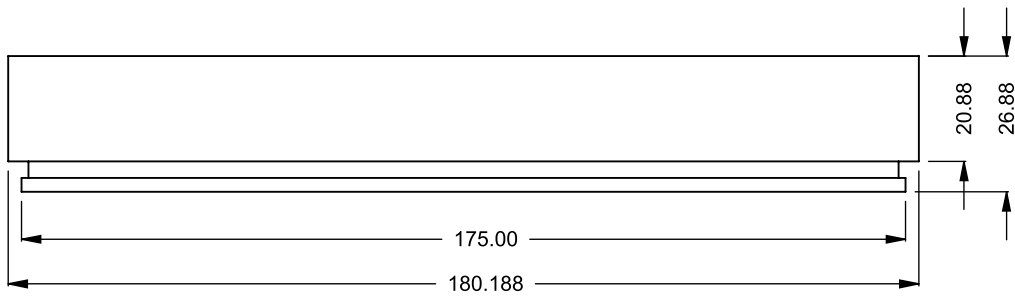
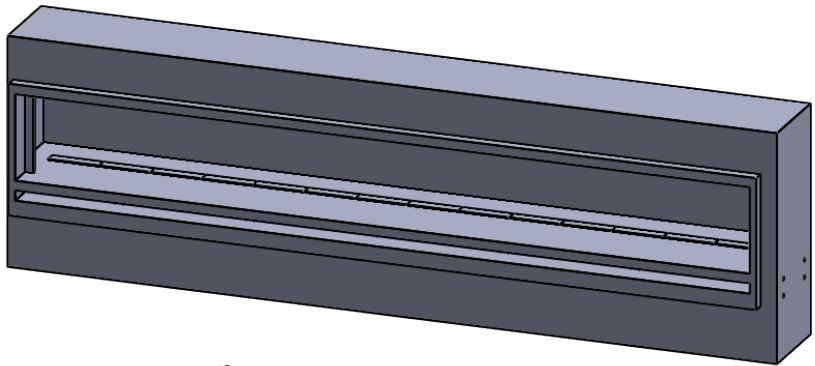
**C1320ODD**  
Power COOL-Pack  
**Front Intake**

**PRELIMINARY  
DRAWING ONLY**

| EXAMPLE CONFIGURATION  | UNLESS OTHERWISE SPECIFIED                                    | DATE       |
|--|---|------------|
| MONTIGO COMMERCIAL FIREPLACES ARE CUSTOM BUILT FOR EACH PROJECT. THIS DRAWING IS FOR REFERENCE ONLY.<br><br>FLUE AND AIR INTAKE SIZES ARE SUBJECT TO CHANGE DEPENDING ON VENT RUN. | DIMENSIONS ARE IN INCHES<br>TOLERANCES: FRACTIONAL $\pm 1/8"$ | 15/10/2020 |

**MONTIGO**  
the art of **fireplaces**  
www.montigo.com

STANDARD BUILD IS FULL STAINLESS STEEL CONSTRUCTION.  
PLEASE INQUIRE FOR CUSTOM OPTIONS TO INCLUDE BLACK GALVANNEALED STEEL PARTS OR AREAS.



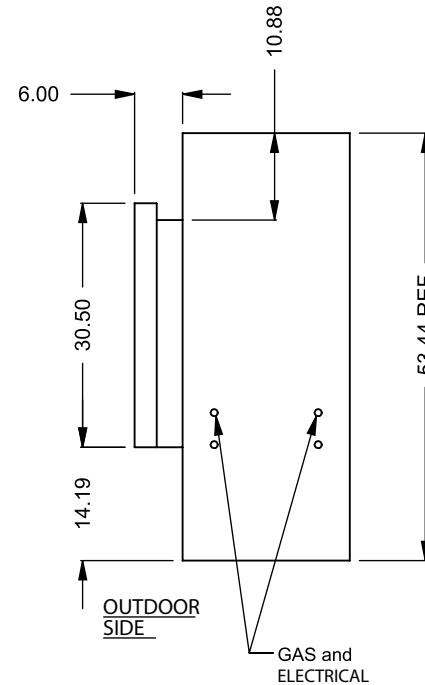
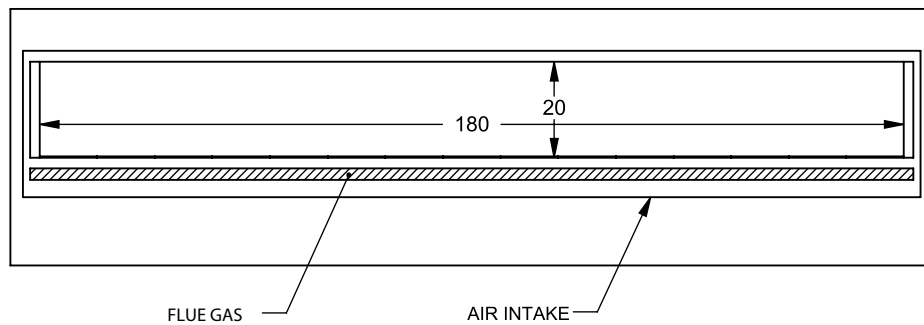
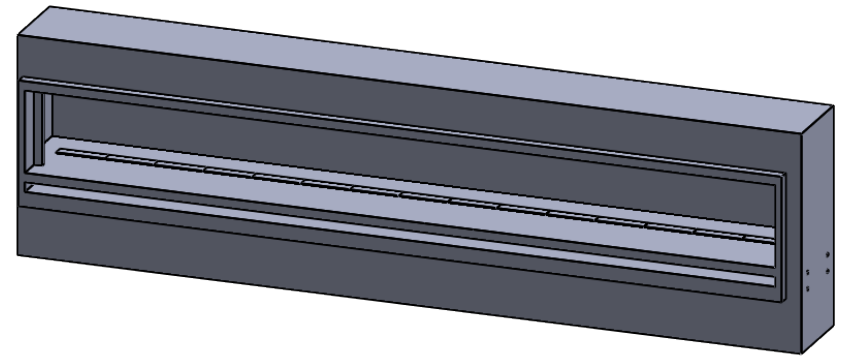
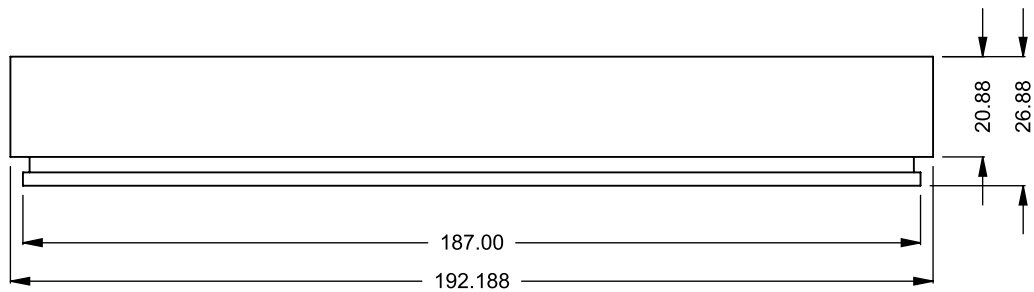
**C1420ODD**  
Power COOL-Pack  
**Front Intake**

**PRELIMINARY  
DRAWING ONLY**

| EXAMPLE CONFIGURATION  | UNLESS OTHERWISE SPECIFIED                                    | DATE       |
|--|---|------------|
| MONTIGO COMMERCIAL FIREPLACES ARE CUSTOM BUILT FOR EACH PROJECT. THIS DRAWING IS FOR REFERENCE ONLY.<br><br>FLUE AND AIR INTAKE SIZES ARE SUBJECT TO CHANGE DEPENDING ON VENT RUN. | DIMENSIONS ARE IN INCHES<br>TOLERANCES: FRACTIONAL $\pm 1/8"$ | 15/10/2020 |

**MONTIGO**  
the art of **fireplaces**  
www.montigo.com

STANDARD BUILD IS FULL STAINLESS STEEL CONSTRUCTION.  
PLEASE INQUIRE FOR CUSTOM OPTIONS TO INCLUDE BLACK GALVANNEALED STEEL PARTS OR AREAS.



**C1520ODD**  
Power COOL-Pack  
**Front Intake**

**PRELIMINARY  
DRAWING ONLY** 

| EXAMPLE CONFIGURATION   | UNLESS OTHERWISE SPECIFIED   | DATE              |
|---|--|-------------------|
| <p>MONTIGO COMMERCIAL FIREPLACES ARE CUSTOM BUILT FOR EACH PROJECT. THIS DRAWING IS FOR REFERENCE ONLY.</p> <p>FLUE AND AIR INTAKE SIZES ARE SUBJECT TO CHANGE DEPENDING ON VENT RUN.</p> | <p>DIMENSIONS ARE IN INCHES<br/>TOLERANCES: FRACTIONAL <math>\pm 1/8"</math></p> | <p>15/10/2020</p> |

**MONTIGO**  
the art of **fireplaces**  
www.montigo.com