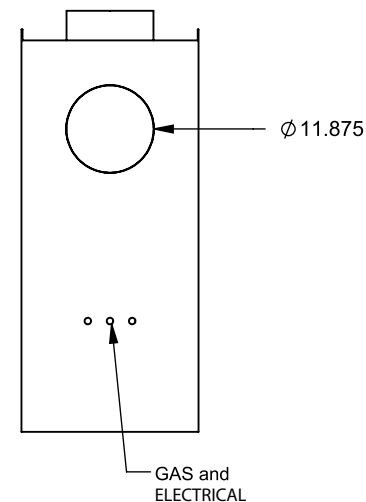
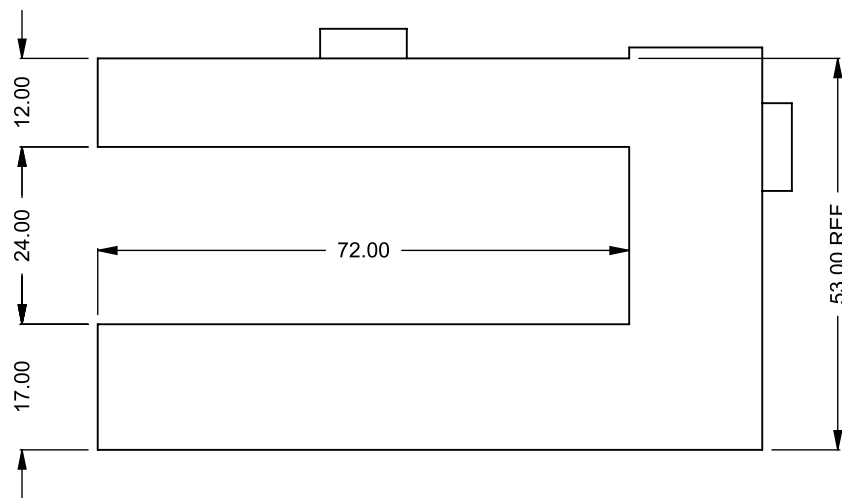
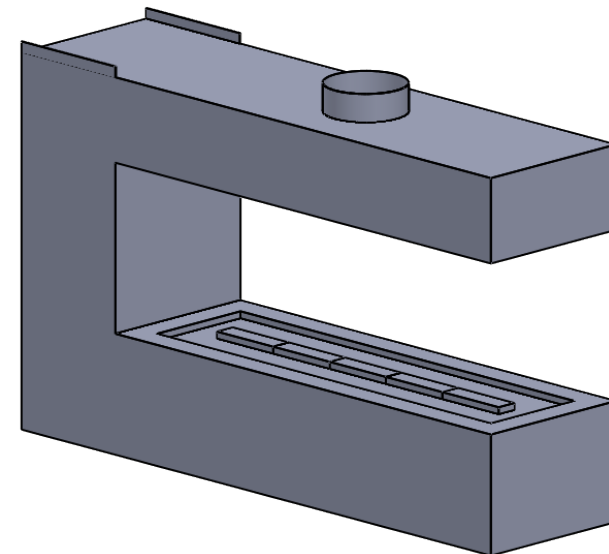
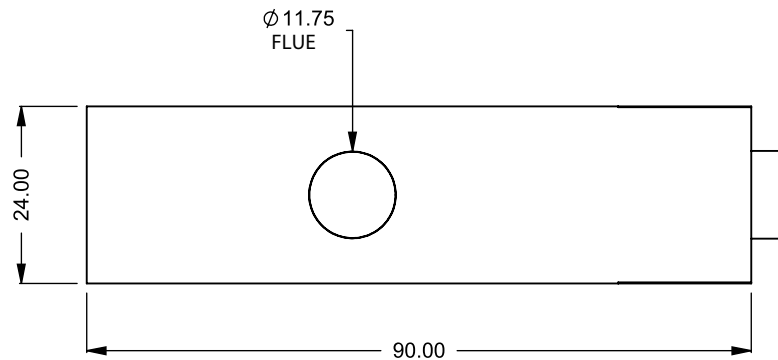


**C620PFC**  
 Power COOL-Pack  
 24D Bottom Intake

**PRELIMINARY  
 DRAWING ONLY** 

| EXAMPLE CONFIGURATION  | UNLESS OTHERWISE SPECIFIED                                    | DATE       |
|--|---|------------|
| MONTIGO COMMERCIAL FIREPLACES ARE CUSTOM BUILT FOR EACH PROJECT. THIS DRAWING IS FOR REFERENCE ONLY.<br><br>FLUE AND AIR INTAKE SIZES ARE SUBJECT TO CHANGE DEPENDING ON VENT RUN. | DIMENSIONS ARE IN INCHES<br>TOLERANCES: FRACTIONAL $\pm 1/8"$ | 15/10/2020 |

**MONTIGO**  
 the art of **fireplaces**  
 www.montigo.com

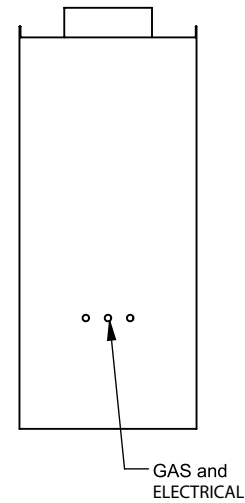
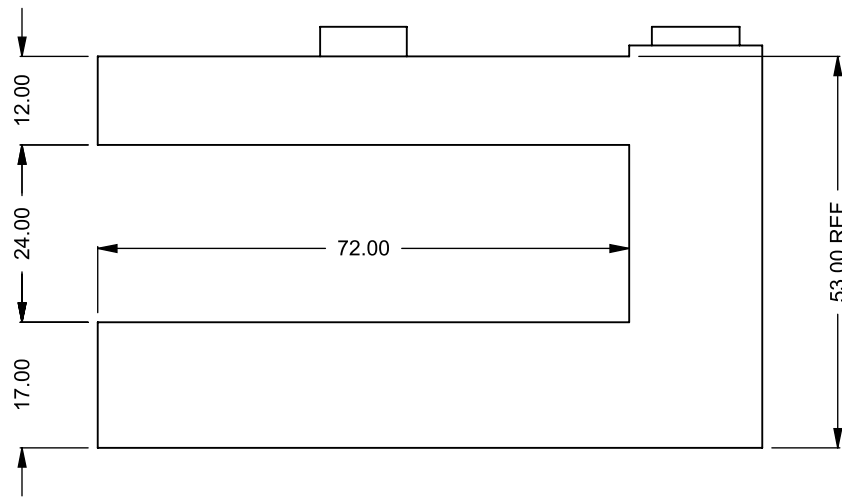
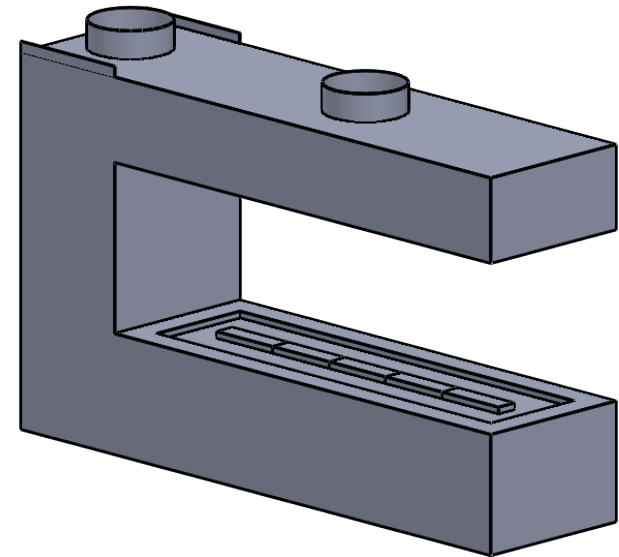
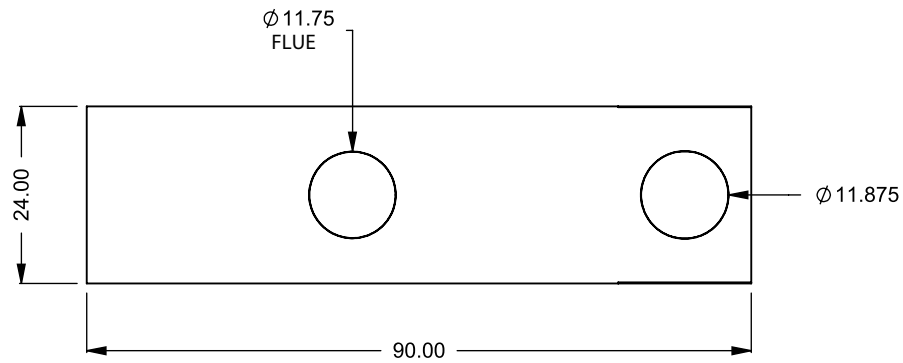


**C620PFC**  
Power COOL-Pack  
**24D Rear Intake**

**PRELIMINARY  
DRAWING ONLY** 

| EXAMPLE CONFIGURATION   | UNLESS OTHERWISE SPECIFIED   | DATE              |
|---|--|-------------------|
| <p>MONTIGO COMMERCIAL FIREPLACES ARE CUSTOM BUILT FOR EACH PROJECT. THIS DRAWING IS FOR REFERENCE ONLY.</p> <p>FLUE AND AIR INTAKE SIZES ARE SUBJECT TO CHANGE DEPENDING ON VENT RUN.</p> | <p>DIMENSIONS ARE IN INCHES<br/>TOLERANCES: FRACTIONAL <math>\pm 1/8"</math></p> | <p>15/10/2020</p> |

**MONTIGO**  
the art of **fireplaces**  
www.montigo.com



**C620PFC**  
 Power COOL-Pack  
**24D Top Intake**

**PRELIMINARY  
 DRAWING ONLY** 

| EXAMPLE CONFIGURATION  | UNLESS OTHERWISE SPECIFIED                                    | DATE       |
|--|---|------------|
| MONTIGO COMMERCIAL FIREPLACES ARE CUSTOM BUILT FOR EACH PROJECT. THIS DRAWING IS FOR REFERENCE ONLY.<br><br>FLUE AND AIR INTAKE SIZES ARE SUBJECT TO CHANGE DEPENDING ON VENT RUN. | DIMENSIONS ARE IN INCHES<br>TOLERANCES: FRACTIONAL $\pm 1/8"$ | 15/10/2020 |



the art of **fireplaces**  
[www.montigo.com](http://www.montigo.com)