

C1020ST
Power COOL-Pack
Bottom Intake

**PRELIMINARY
DRAWING ONLY** 

EXAMPLE CONFIGURATION

MONTIGO COMMERCIAL FIREPLACES ARE CUSTOM BUILT FOR EACH PROJECT. THIS DRAWING IS FOR REFERENCE ONLY.

FLUE AND AIR INTAKE SIZES ARE SUBJECT TO CHANGE DEPENDING ON VENT RUN.

UNLESS OTHERWISE SPECIFIED

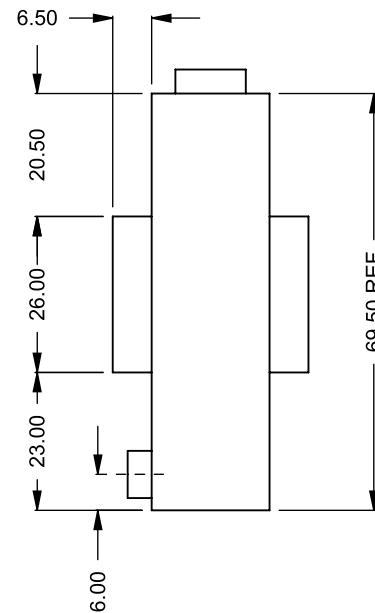
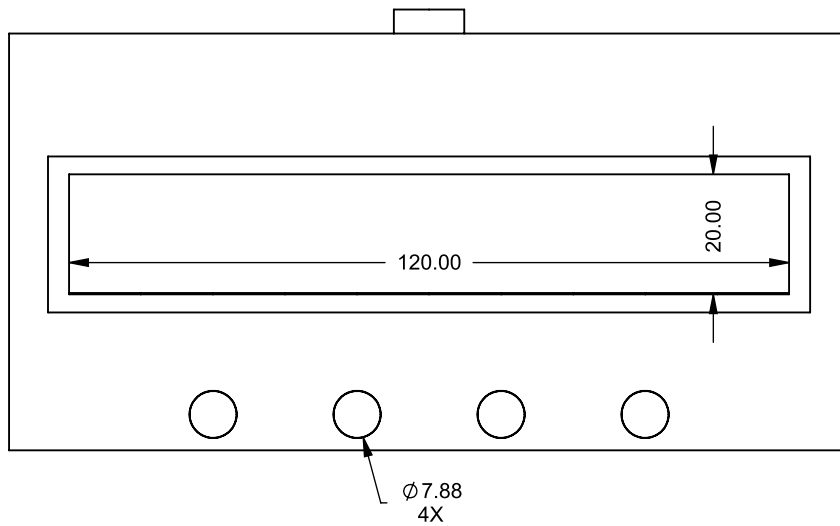
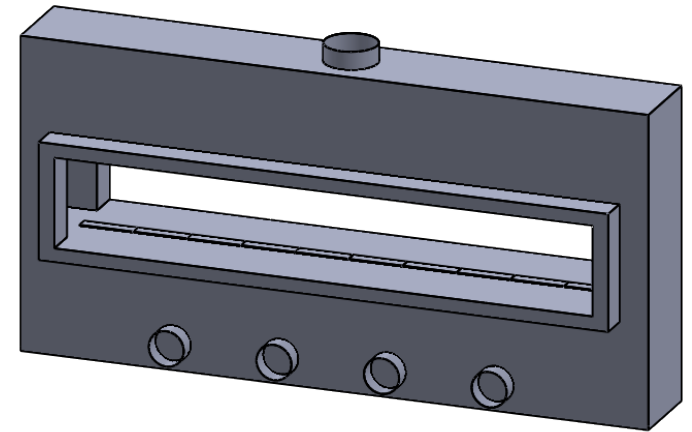
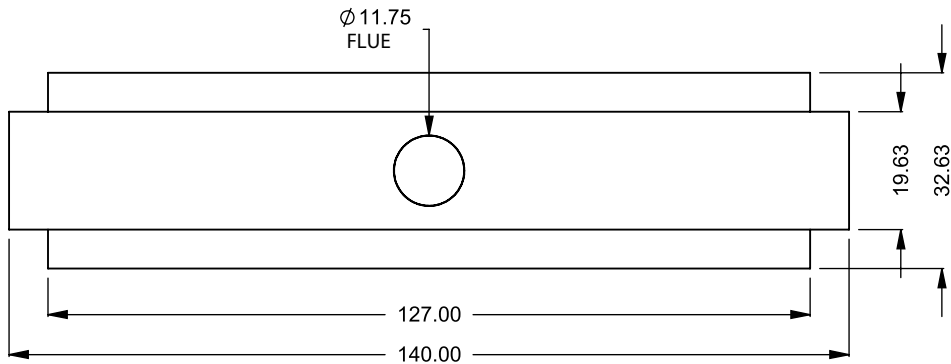
DIMENSIONS ARE IN INCHES
TOLERANCES: FRACTIONAL $\pm 1/8"$

DATE

15/10/2020

MONTIGO
the art of **fireplaces**

www.montigo.com



C1020ST
Power COOL-Pack
Front Intake

**PRELIMINARY
DRAWING ONLY** 

EXAMPLE CONFIGURATION

MONTIGO COMMERCIAL FIREPLACES ARE CUSTOM BUILT FOR EACH PROJECT. THIS DRAWING IS FOR REFERENCE ONLY.

FLUE AND AIR INTAKE SIZES ARE SUBJECT TO CHANGE DEPENDING ON VENT RUN.

UNLESS OTHERWISE SPECIFIED

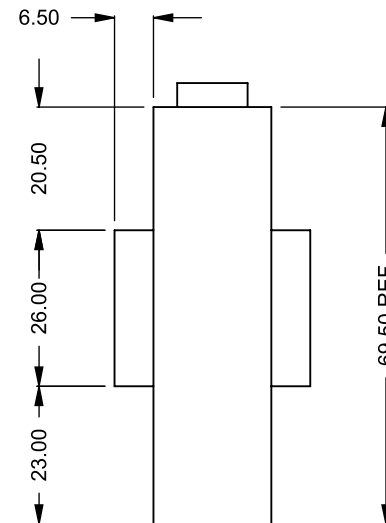
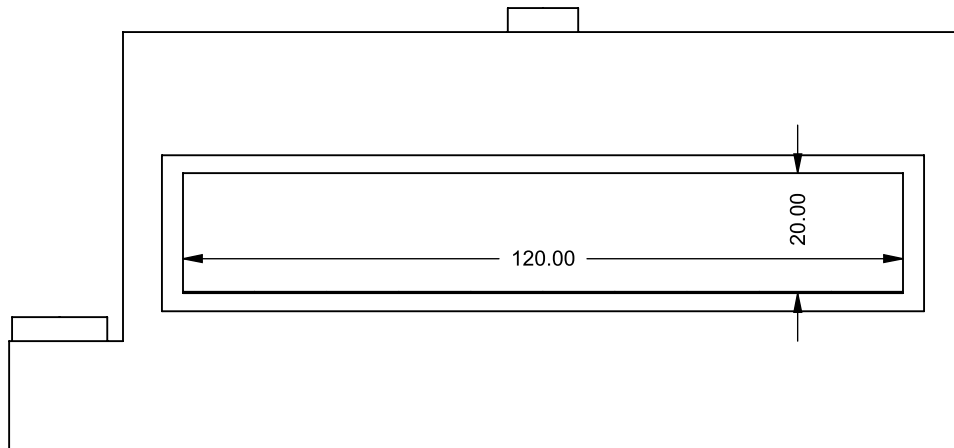
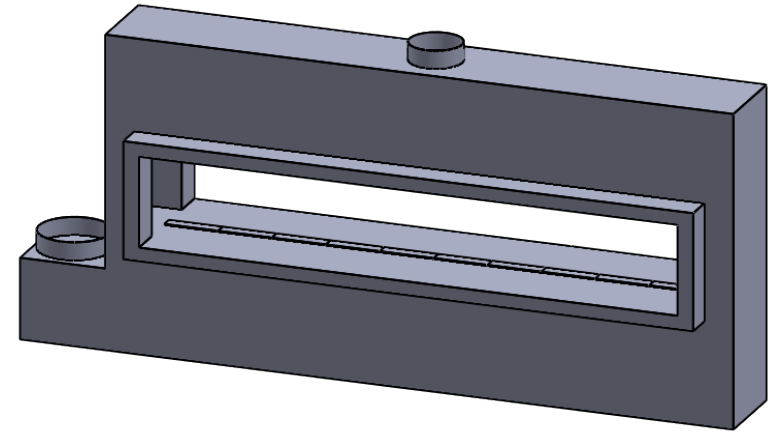
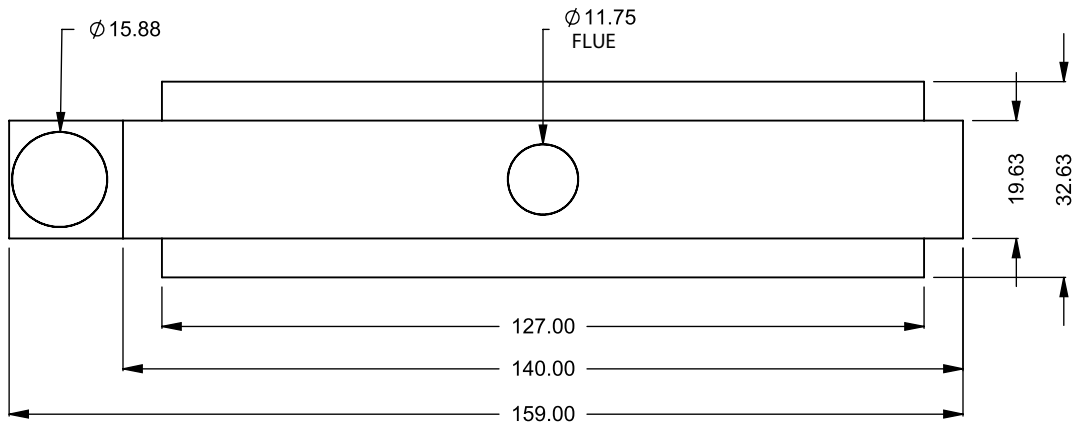
DIMENSIONS ARE IN INCHES
TOLERANCES: FRACTIONAL $\pm 1/8"$

DATE

15/10/2020

MONTIGO
the art of **fireplaces**

www.montigo.com

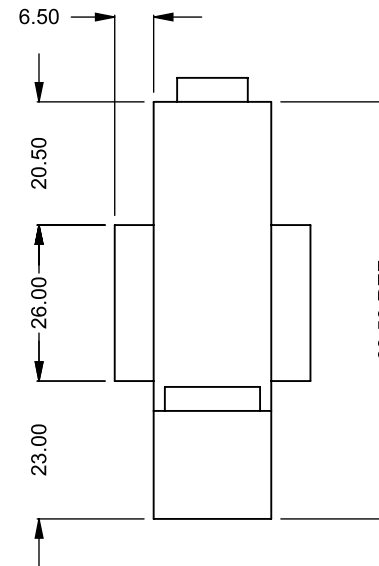
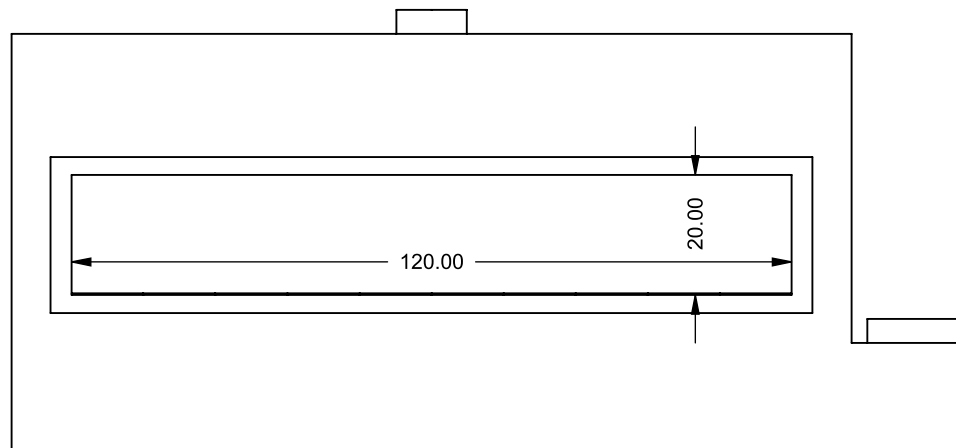
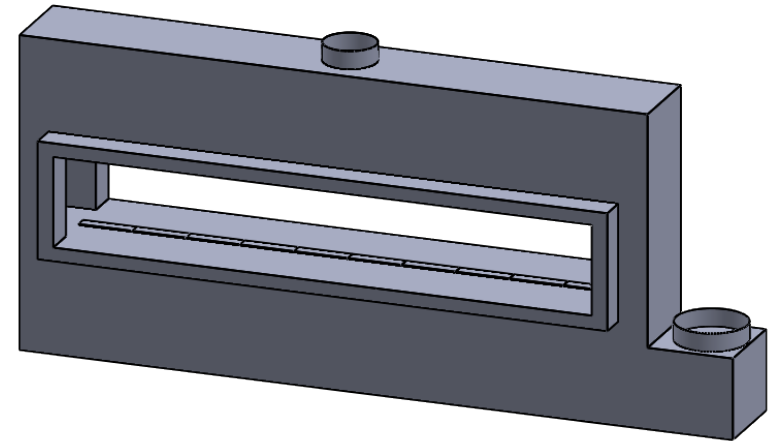
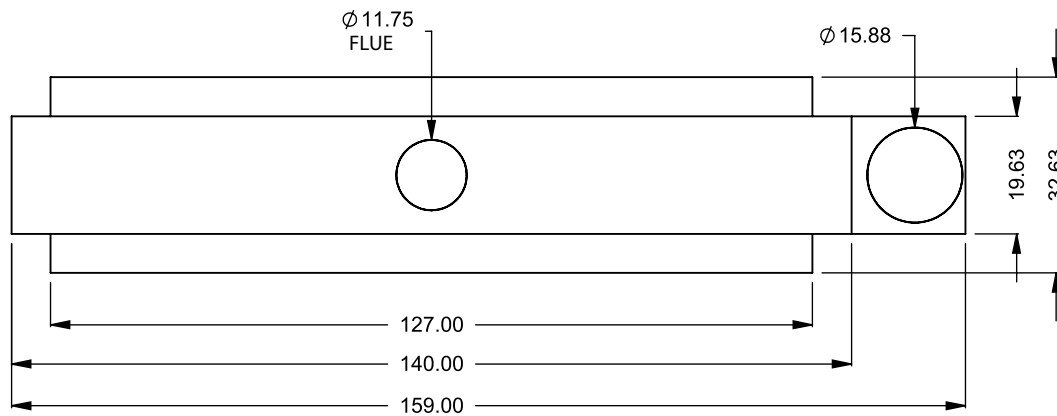


C1020ST
 Power COOL-Pack
 One Side Left Intake

**PRELIMINARY
 DRAWING ONLY** 

EXAMPLE CONFIGURATION	UNLESS OTHERWISE SPECIFIED	DATE
MONTIGO COMMERCIAL FIREPLACES ARE CUSTOM BUILT FOR EACH PROJECT. THIS DRAWING IS FOR REFERENCE ONLY. FLUE AND AIR INTAKE SIZES ARE SUBJECT TO CHANGE DEPENDING ON VENT RUN.	DIMENSIONS ARE IN INCHES TOLERANCES: FRACTIONAL $\pm 1/8"$	15/10/2020

MONTIGO
 the art of **fireplaces**
 www.montigo.com

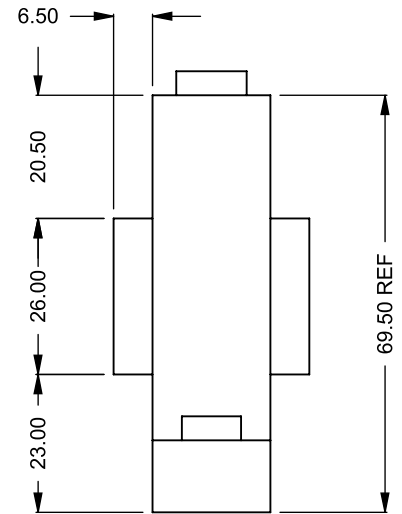
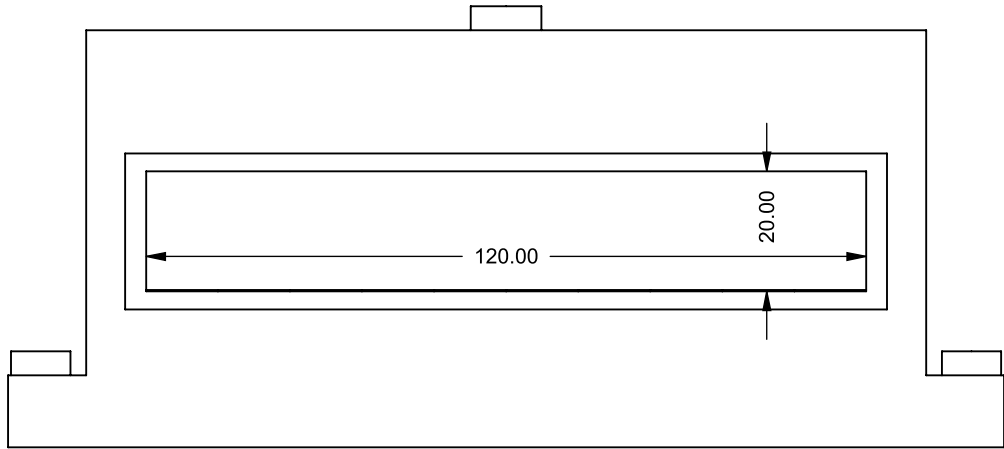
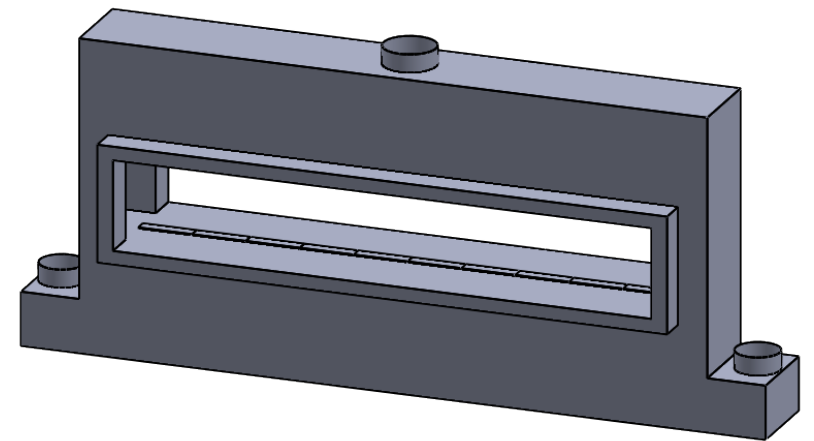
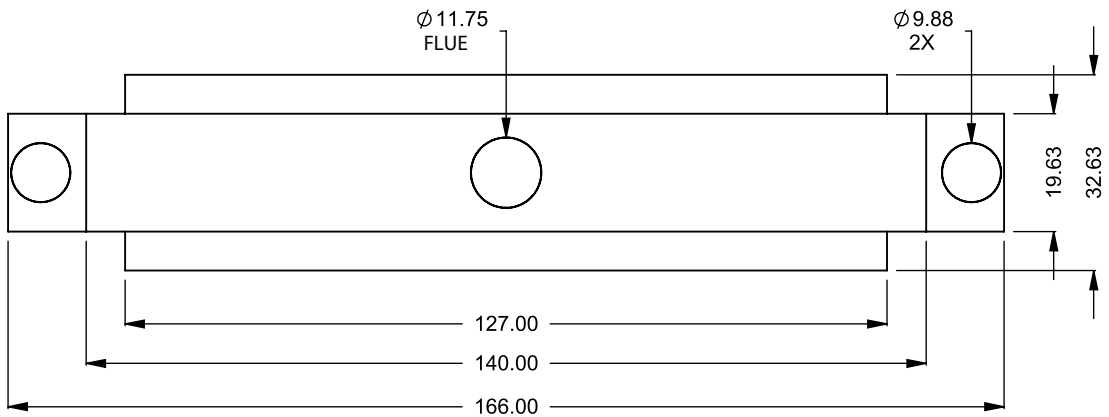


C1020ST
 Power COOL-Pack
 One Side Right Intake

**PRELIMINARY
 DRAWING ONLY** 

EXAMPLE CONFIGURATION	UNLESS OTHERWISE SPECIFIED	DATE
MONTIGO COMMERCIAL FIREPLACES ARE CUSTOM BUILT FOR EACH PROJECT. THIS DRAWING IS FOR REFERENCE ONLY. FLUE AND AIR INTAKE SIZES ARE SUBJECT TO CHANGE DEPENDING ON VENT RUN.	DIMENSIONS ARE IN INCHES TOLERANCES: FRACTIONAL $\pm 1/8"$	15/10/2020

MONTIGO
 the art of **fireplaces**
 www.montigo.com

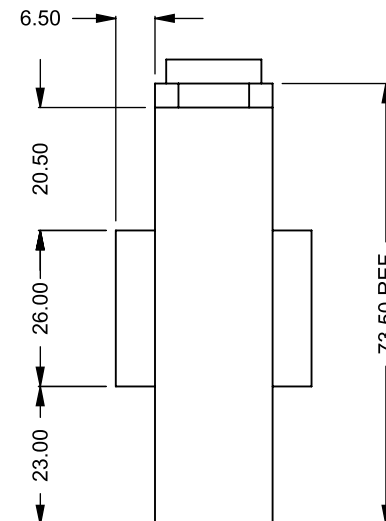
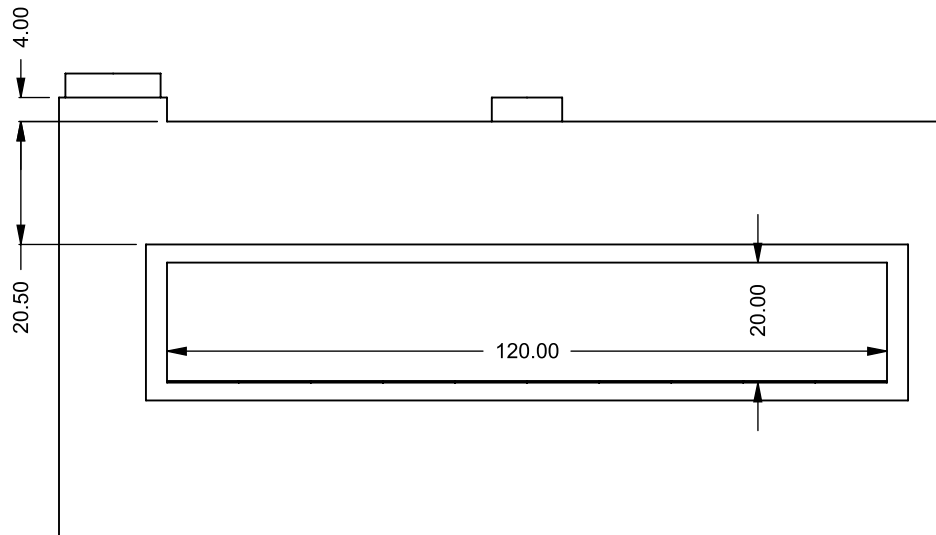
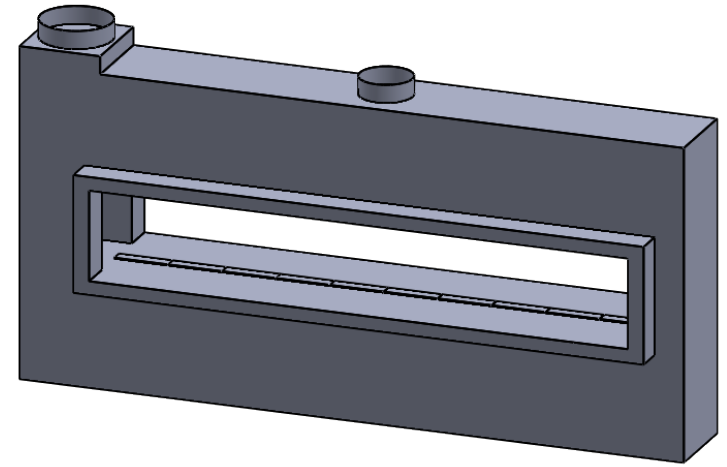
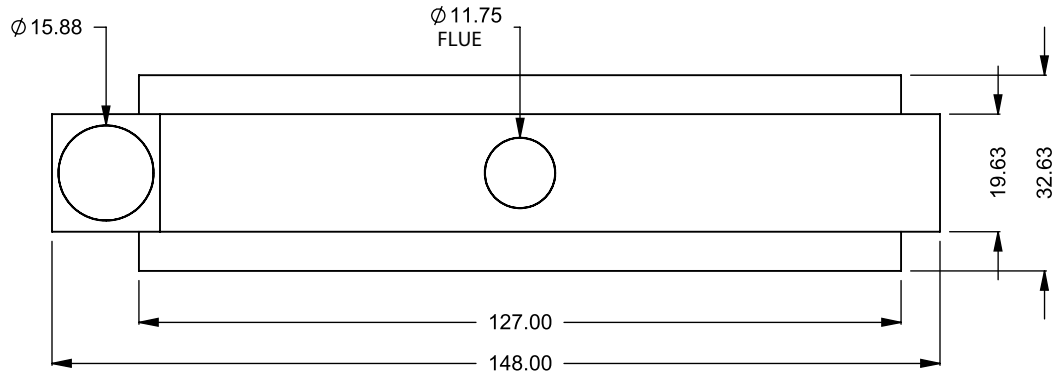


C1020ST
Power COOL-Pack
Dual Side Intake

**PRELIMINARY
DRAWING ONLY** 

EXAMPLE CONFIGURATION	UNLESS OTHERWISE SPECIFIED	DATE
MONTIGO COMMERCIAL FIREPLACES ARE CUSTOM BUILT FOR EACH PROJECT. THIS DRAWING IS FOR REFERENCE ONLY. FLUE AND AIR INTAKE SIZES ARE SUBJECT TO CHANGE DEPENDING ON VENT RUN.	DIMENSIONS ARE IN INCHES TOLERANCES: FRACTIONAL $\pm 1/8"$	15/10/2020

MONTIGO
the art of **fireplaces**
www.montigo.com

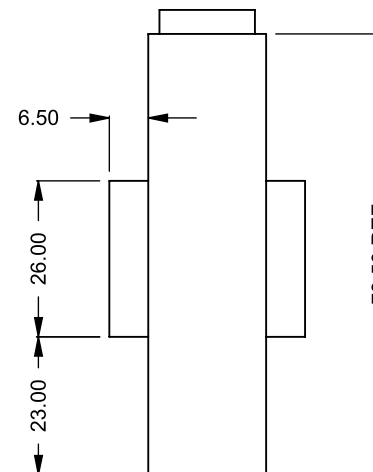
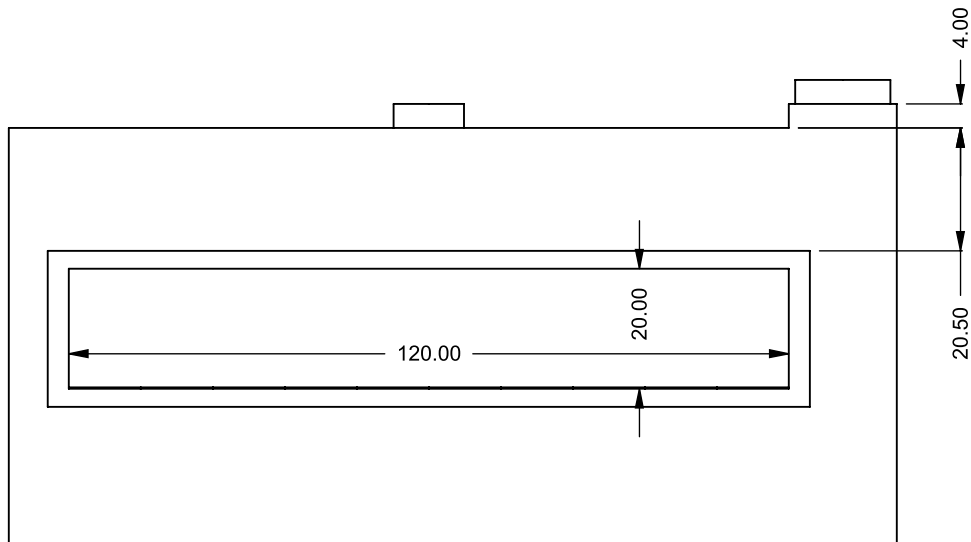
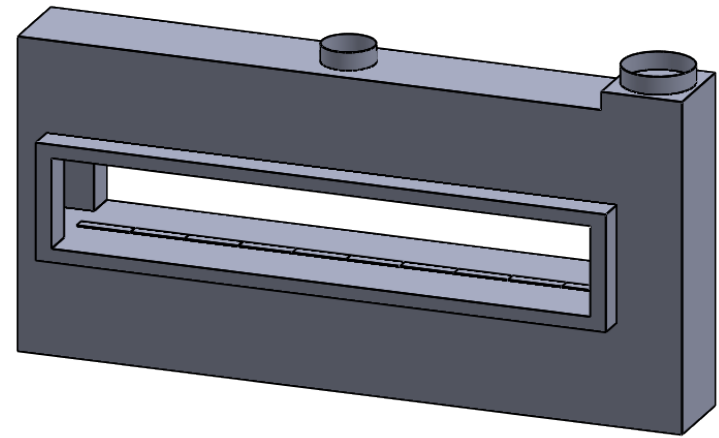
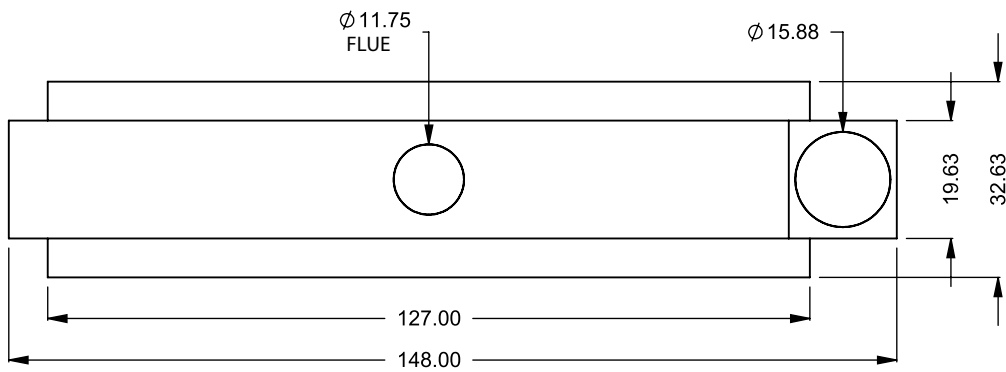


C1020ST
 Power COOL-Pack
 Top One Side Left Intake

**PRELIMINARY
 DRAWING ONLY** 

EXAMPLE CONFIGURATION	UNLESS OTHERWISE SPECIFIED	DATE
MONTIGO COMMERCIAL FIREPLACES ARE CUSTOM BUILT FOR EACH PROJECT. THIS DRAWING IS FOR REFERENCE ONLY. FLUE AND AIR INTAKE SIZES ARE SUBJECT TO CHANGE DEPENDING ON VENT RUN.	DIMENSIONS ARE IN INCHES TOLERANCES: FRACTIONAL $\pm 1/8"$	15/10/2020

MONTIGO
 the art of **fireplaces**
 www.montigo.com

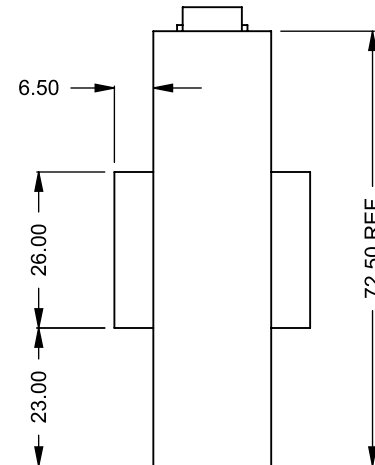
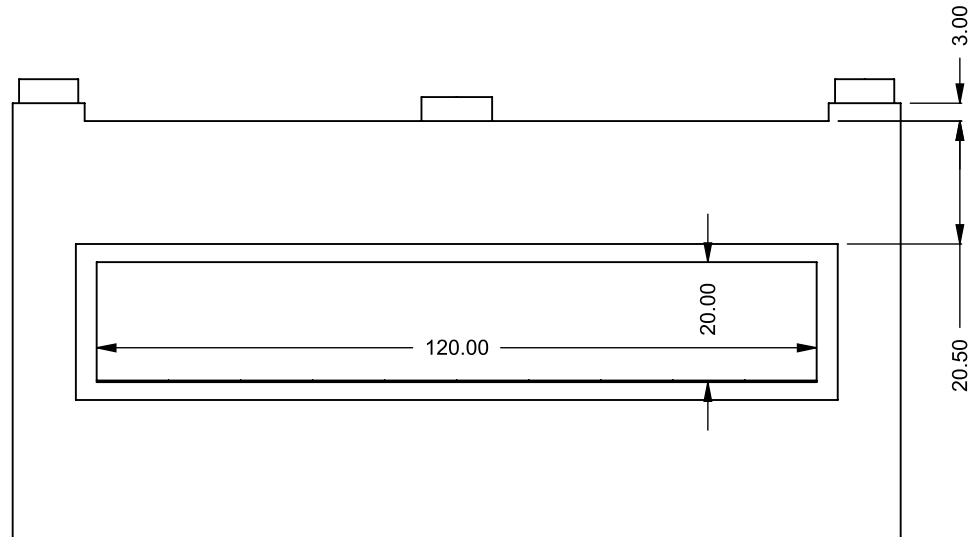
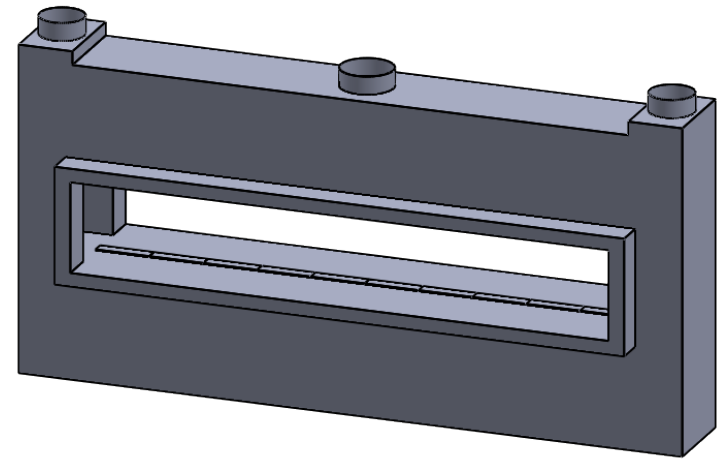
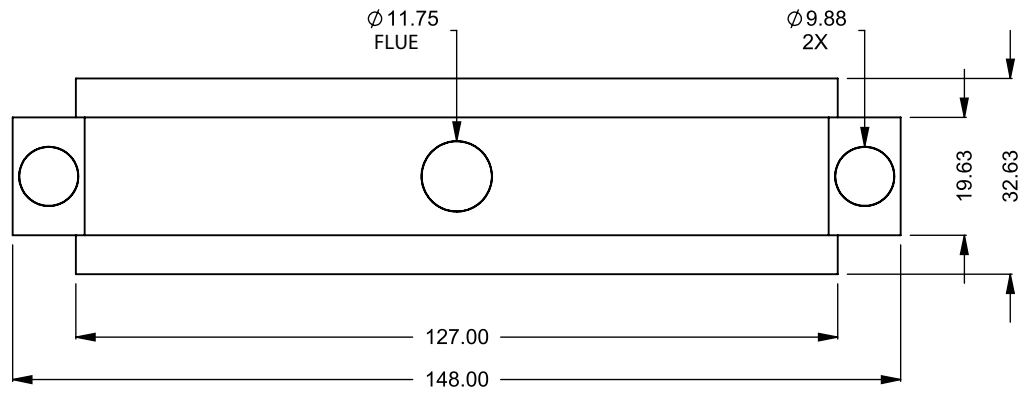


C1020ST
 Power COOL-Pack
 Top One Side Right Intake

**PRELIMINARY
 DRAWING ONLY** 

EXAMPLE CONFIGURATION	UNLESS OTHERWISE SPECIFIED	DATE
MONTIGO COMMERCIAL FIREPLACES ARE CUSTOM BUILT FOR EACH PROJECT. THIS DRAWING IS FOR REFERENCE ONLY. FLUE AND AIR INTAKE SIZES ARE SUBJECT TO CHANGE DEPENDING ON VENT RUN.	DIMENSIONS ARE IN INCHES TOLERANCES: FRACTIONAL $\pm 1/8"$	15/10/2020

MONTIGO
 the art of **fireplaces**
 www.montigo.com



C1020ST
Power COOL-Pack
Top Dual Side Intake

**PRELIMINARY
DRAWING ONLY** 

EXAMPLE CONFIGURATION	UNLESS OTHERWISE SPECIFIED	DATE
<p>MONTIGO COMMERCIAL FIREPLACES ARE CUSTOM BUILT FOR EACH PROJECT. THIS DRAWING IS FOR REFERENCE ONLY.</p> <p>FLUE AND AIR INTAKE SIZES ARE SUBJECT TO CHANGE DEPENDING ON VENT RUN.</p>	<p>DIMENSIONS ARE IN INCHES TOLERANCES: FRACTIONAL $\pm 1/8"$</p>	<p>15/10/2020</p>

MONTIGO
the art of **fireplaces**
www.montigo.com