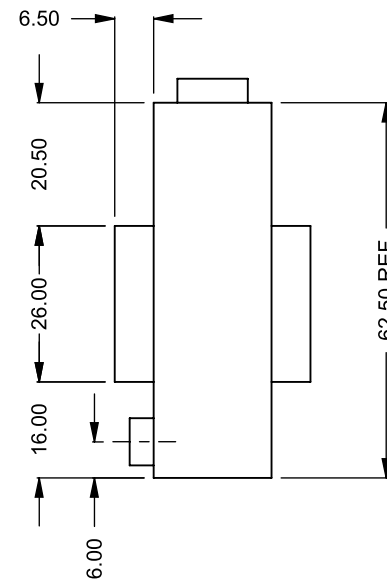
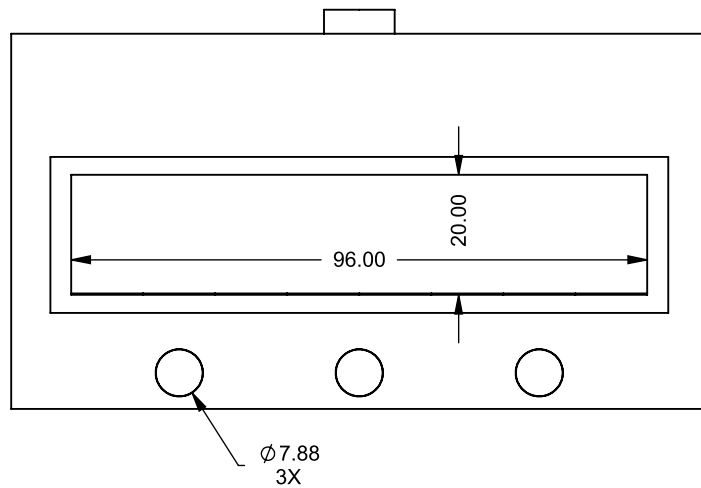
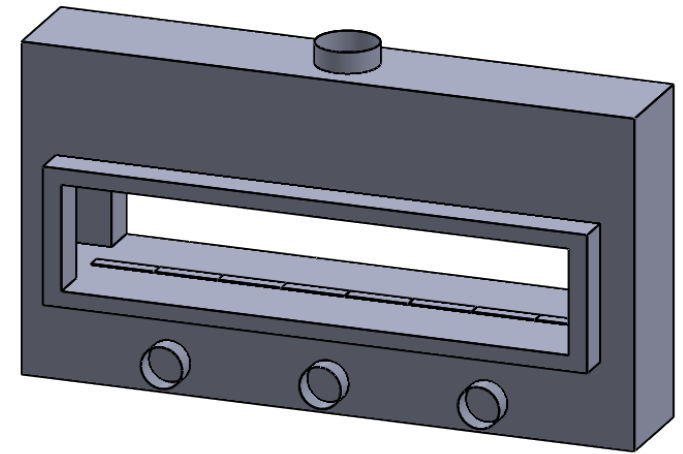
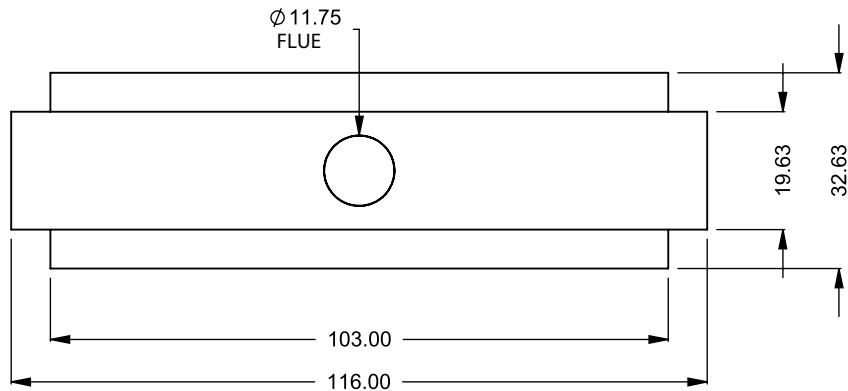


**C820ST**  
 COOL-Pack  
 Bottom Intake

**PRELIMINARY  
 DRAWING ONLY** 

EXAMPLE CONFIGURATION	UNLESS OTHERWISE SPECIFIED	DATE
MONTIGO COMMERCIAL FIREPLACES ARE CUSTOM BUILT FOR EACH PROJECT. THIS DRAWING IS FOR REFERENCE ONLY.  FLUE AND AIR INTAKE SIZES ARE SUBJECT TO CHANGE DEPENDING ON VENT RUN.	DIMENSIONS ARE IN INCHES TOLERANCES: FRACTIONAL $\pm 1/8"$	15/10/2020

**MONTIGO**  
 the art of **fireplaces**  
 www.montigo.com



**C820ST**  
 COOL-Pack  
 Front Intake

**PRELIMINARY  
 DRAWING ONLY** 

**EXAMPLE CONFIGURATION**

MONTIGO COMMERCIAL FIREPLACES ARE CUSTOM BUILT FOR EACH PROJECT. THIS DRAWING IS FOR REFERENCE ONLY.

FLUE AND AIR INTAKE SIZES ARE SUBJECT TO CHANGE DEPENDING ON VENT RUN.

**UNLESS OTHERWISE SPECIFIED**

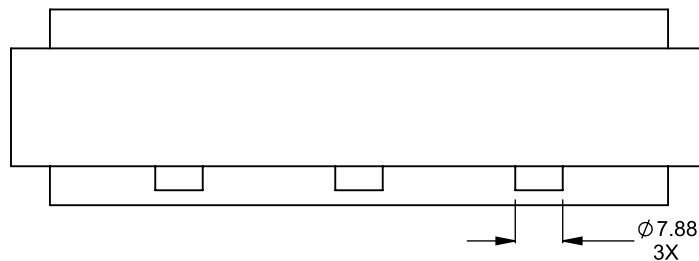
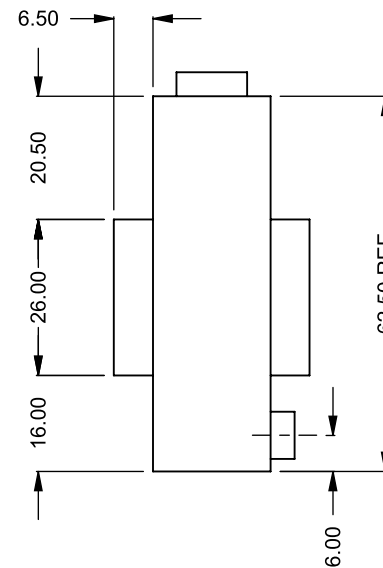
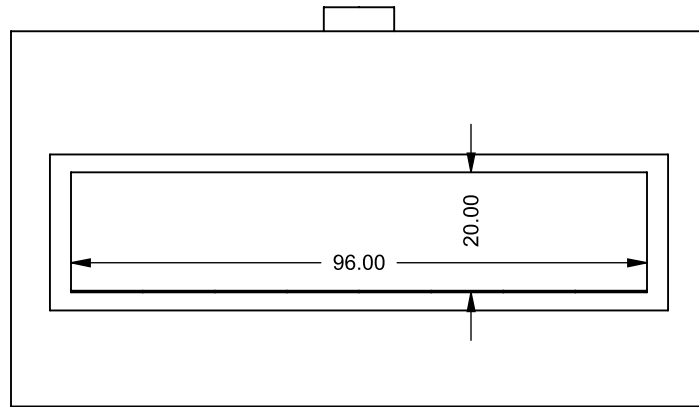
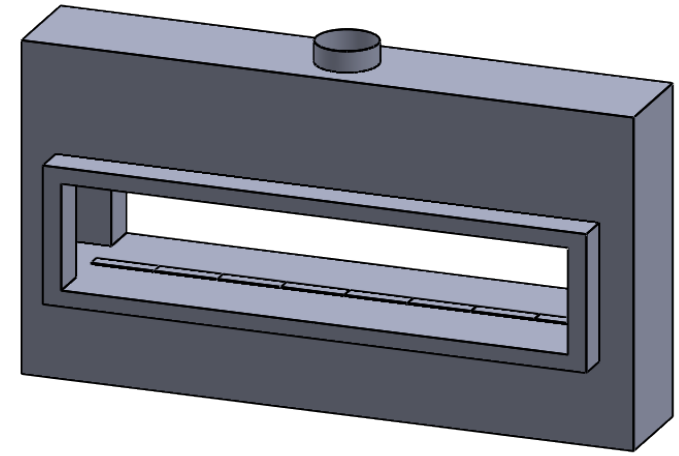
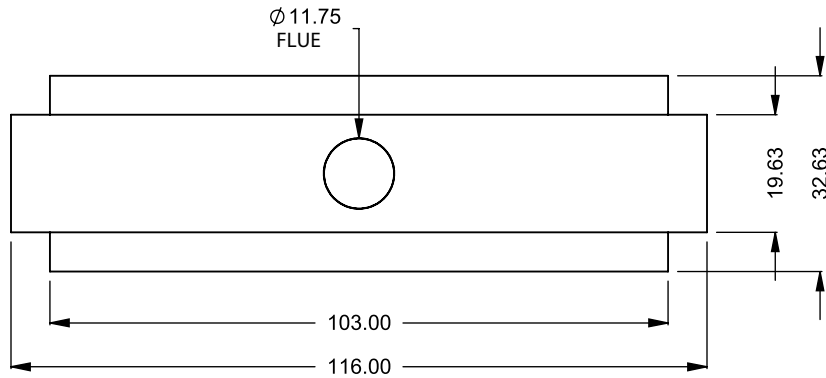
DIMENSIONS ARE IN INCHES  
 TOLERANCES: FRACTIONAL  $\pm 1/8"$

**DATE**

15/10/2020

**MONTIGO**  
 the art of **fireplaces**

www.montigo.com

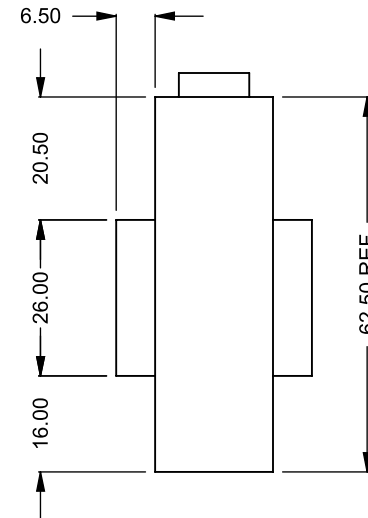
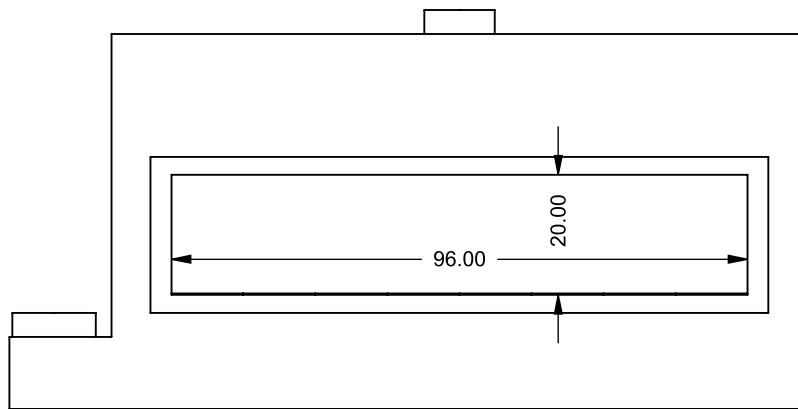
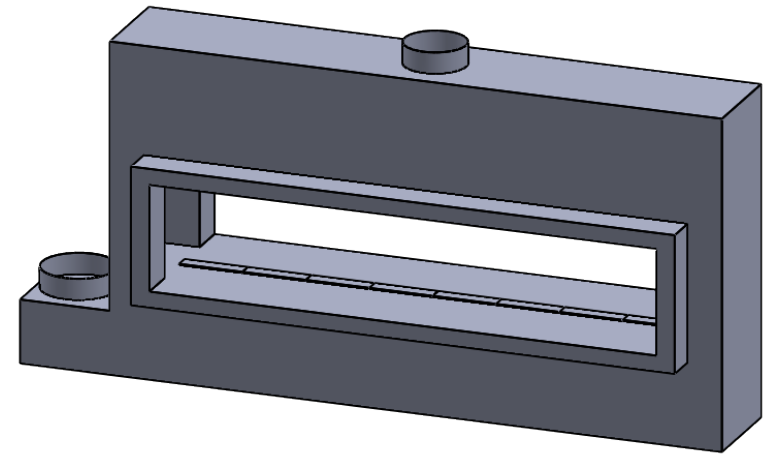
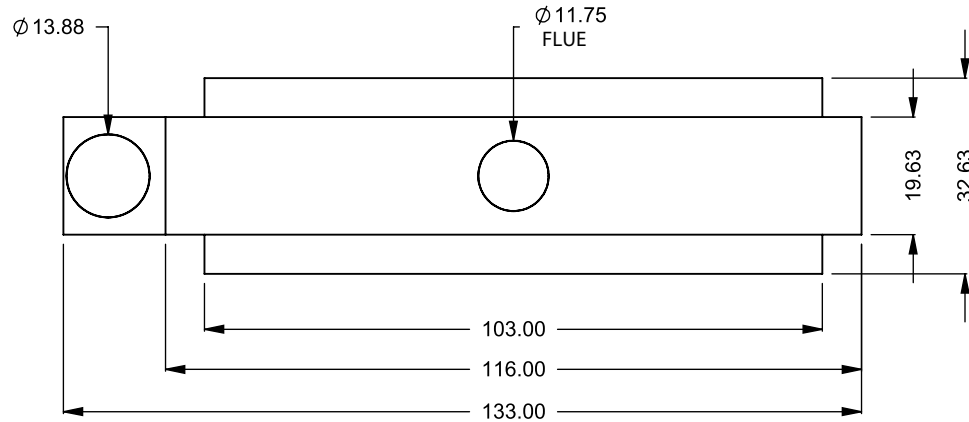


**C820ST**  
COOL-Pack  
Rear Intake

**PRELIMINARY  
DRAWING ONLY** 

EXAMPLE CONFIGURATION	UNLESS OTHERWISE SPECIFIED	DATE
<p>MONTIGO COMMERCIAL FIREPLACES ARE CUSTOM BUILT FOR EACH PROJECT. THIS DRAWING IS FOR REFERENCE ONLY.</p> <p>FLUE AND AIR INTAKE SIZES ARE SUBJECT TO CHANGE DEPENDING ON VENT RUN.</p>	<p>DIMENSIONS ARE IN INCHES TOLERANCES: FRACTIONAL <math>\pm 1/8"</math></p>	<p>15/10/2020</p>

**MONTIGO**  
the art of **fireplaces**  
www.montigo.com



**C820ST**  
 COOL-Pack  
 One Side Left Intake

**PRELIMINARY  
 DRAWING ONLY** 

**EXAMPLE CONFIGURATION**

MONTIGO COMMERCIAL FIREPLACES ARE CUSTOM BUILT FOR EACH PROJECT. THIS DRAWING IS FOR REFERENCE ONLY.

FLUE AND AIR INTAKE SIZES ARE SUBJECT TO CHANGE DEPENDING ON VENT RUN.

**UNLESS OTHERWISE SPECIFIED**

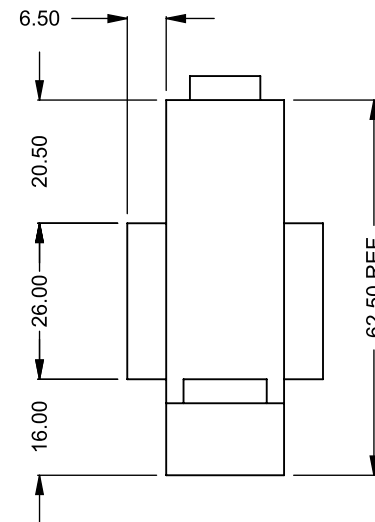
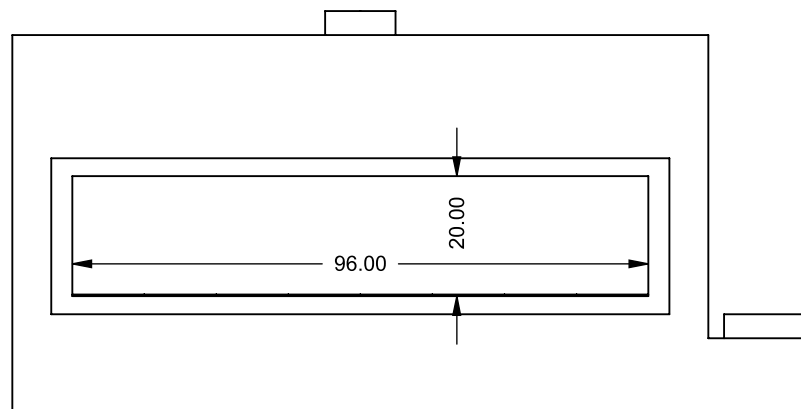
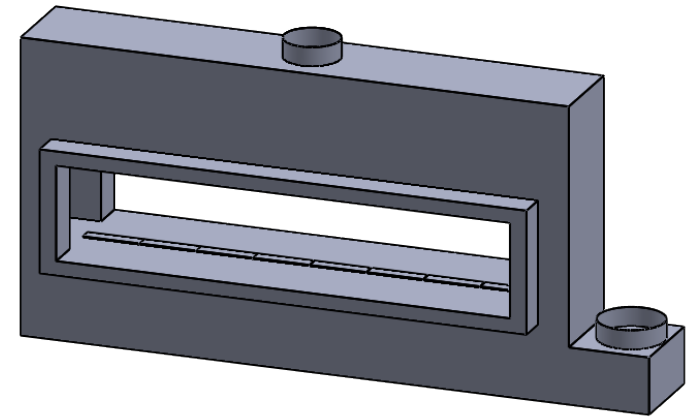
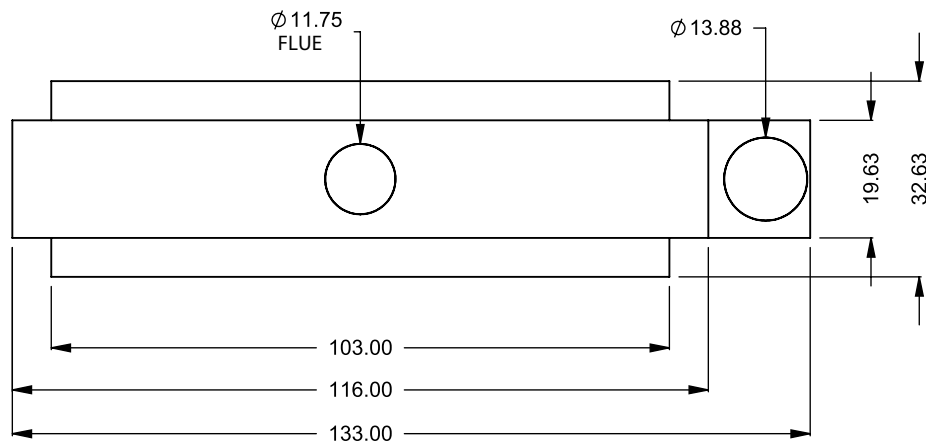
DIMENSIONS ARE IN INCHES  
 TOLERANCES: FRACTIONAL  $\pm 1/8"$

**DATE**

15/10/2020

**MONTIGO**  
 the art of **fireplaces**

www.montigo.com



**PRELIMINARY  
DRAWING ONLY** 

**EXAMPLE CONFIGURATION**

MONTIGO COMMERCIAL FIREPLACES ARE CUSTOM BUILT FOR EACH PROJECT. THIS DRAWING IS FOR REFERENCE ONLY.

FLUE AND AIR INTAKE SIZES ARE SUBJECT TO CHANGE DEPENDING ON VENT RUN.

**UNLESS OTHERWISE SPECIFIED**

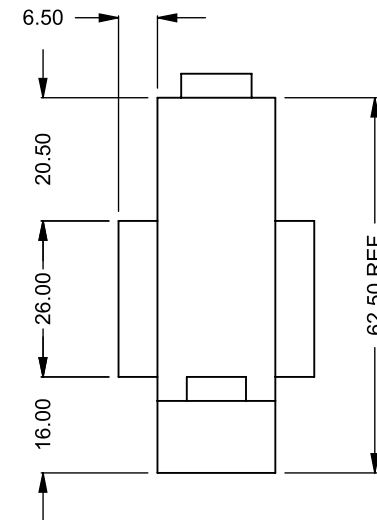
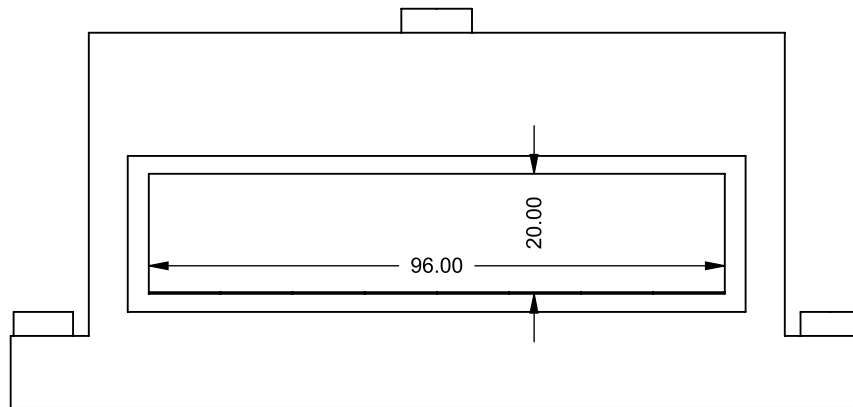
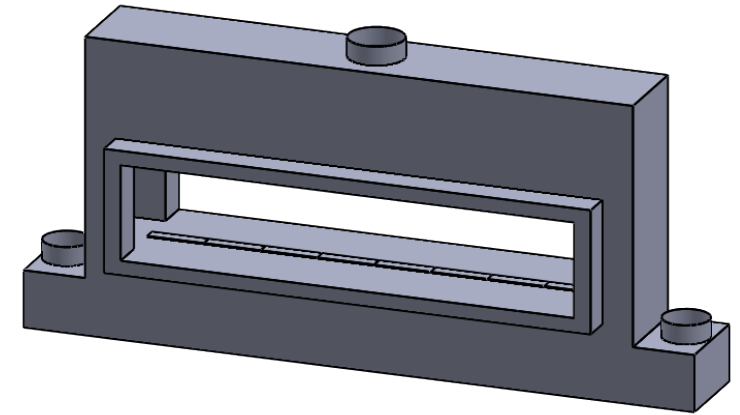
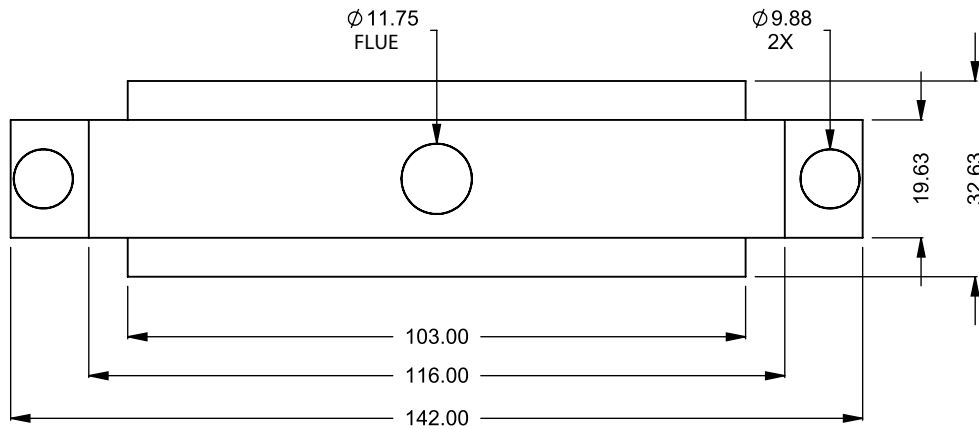
DIMENSIONS ARE IN INCHES  
TOLERANCES: FRACTIONAL  $\pm 1/8"$

**DATE**

15/10/2020

**C820ST**  
COOL-Pack  
**One Side Right Intake**

**MONTIGO**  
the art of **fireplaces**  
www.montigo.com



**C820ST**  
 COOL-Pack  
 Dual Side Intake

**PRELIMINARY  
 DRAWING ONLY** 

**EXAMPLE CONFIGURATION**

MONTIGO COMMERCIAL FIREPLACES ARE CUSTOM BUILT FOR EACH PROJECT. THIS DRAWING IS FOR REFERENCE ONLY.

FLUE AND AIR INTAKE SIZES ARE SUBJECT TO CHANGE DEPENDING ON VENT RUN.

**UNLESS OTHERWISE SPECIFIED**

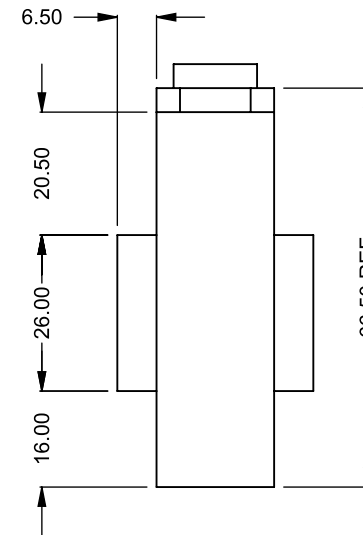
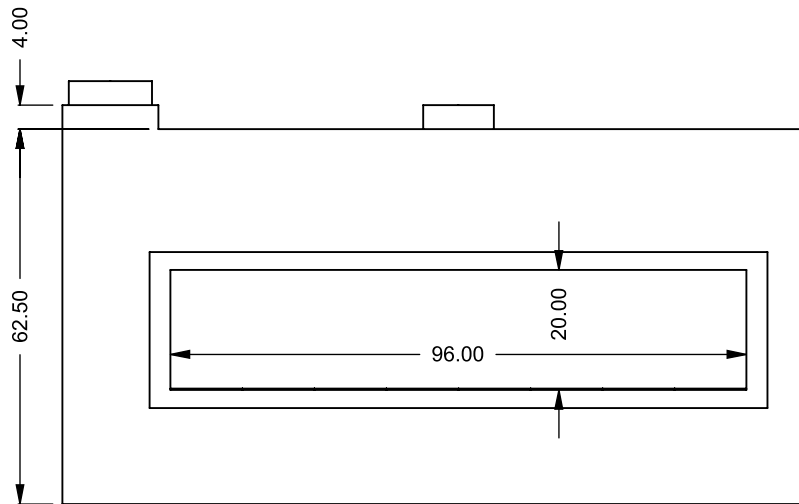
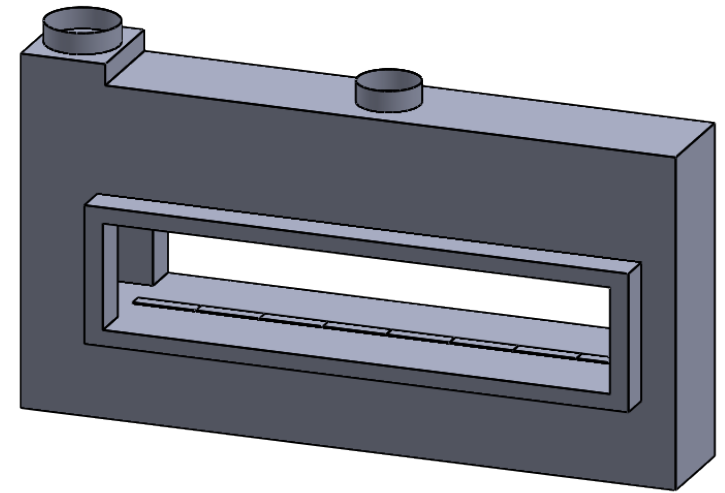
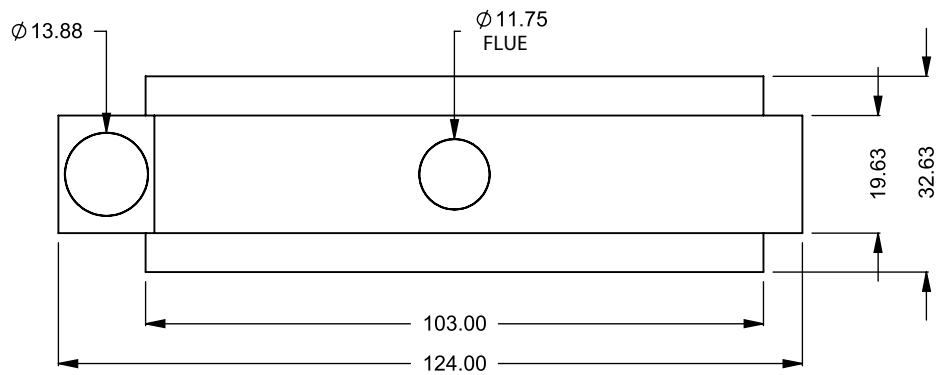
DIMENSIONS ARE IN INCHES  
 TOLERANCES: FRACTIONAL  $\pm 1/8"$

**DATE**

15/10/2020

**MONTIGO**  
 the art of **fireplaces**

www.montigo.com



**C820ST**  
 COOL-Pack  
 Top One Side Left Intake

**PRELIMINARY  
 DRAWING ONLY** 

**EXAMPLE CONFIGURATION**

MONTIGO COMMERCIAL FIREPLACES ARE CUSTOM BUILT FOR EACH PROJECT. THIS DRAWING IS FOR REFERENCE ONLY.

FLUE AND AIR INTAKE SIZES ARE SUBJECT TO CHANGE DEPENDING ON VENT RUN.

**UNLESS OTHERWISE SPECIFIED**

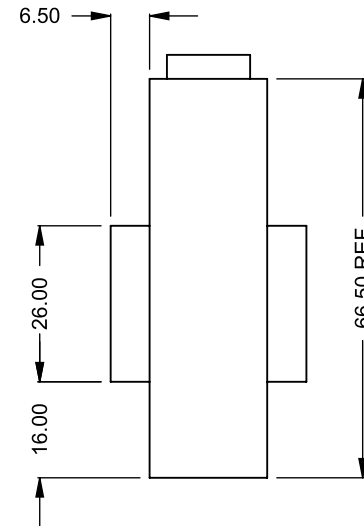
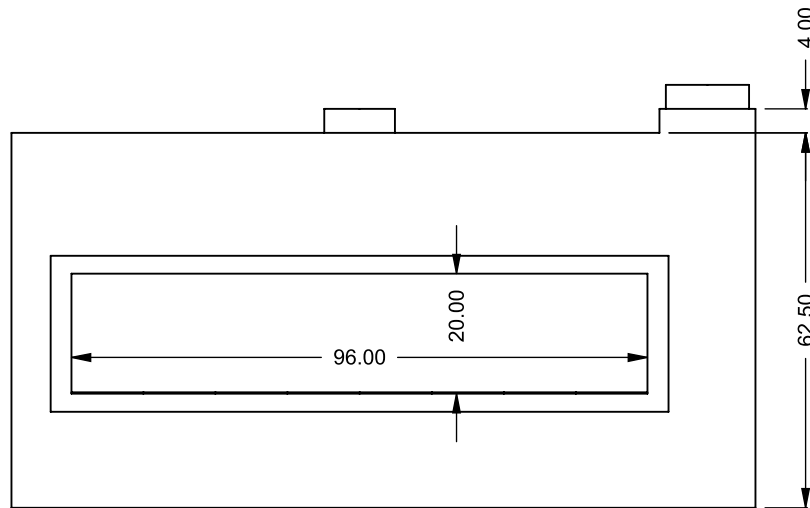
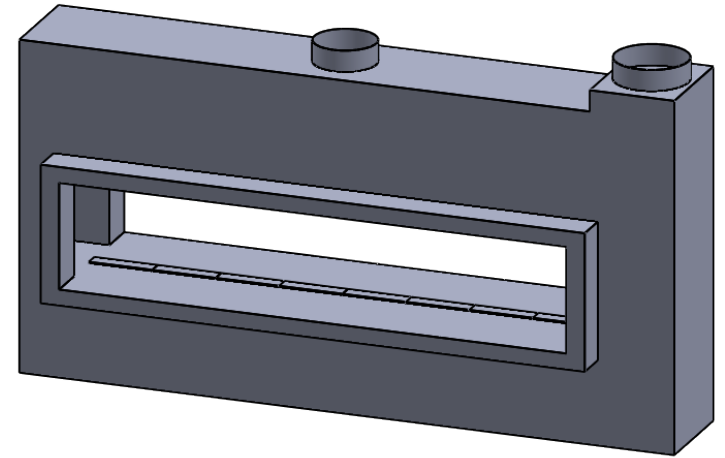
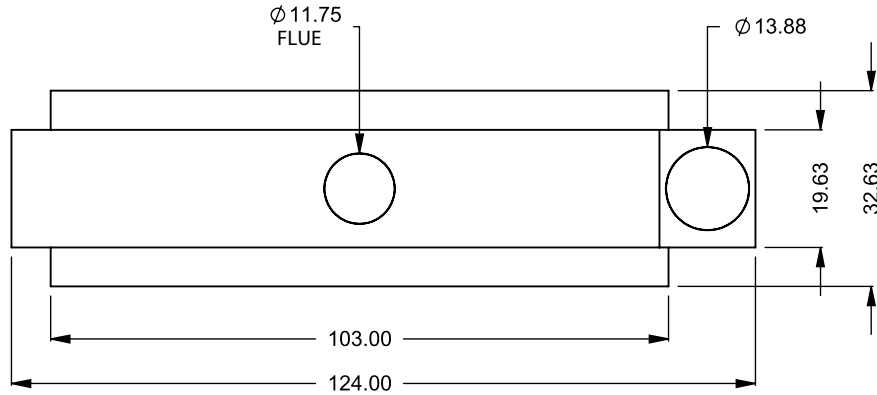
DIMENSIONS ARE IN INCHES  
 TOLERANCES: FRACTIONAL  $\pm 1/8"$

**DATE**

15/10/2020

**MONTIGO**  
 the art of **fireplaces**

www.montigo.com



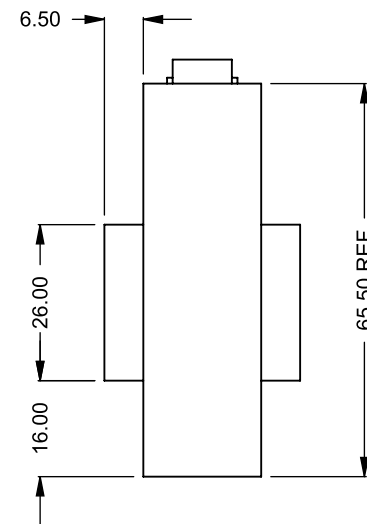
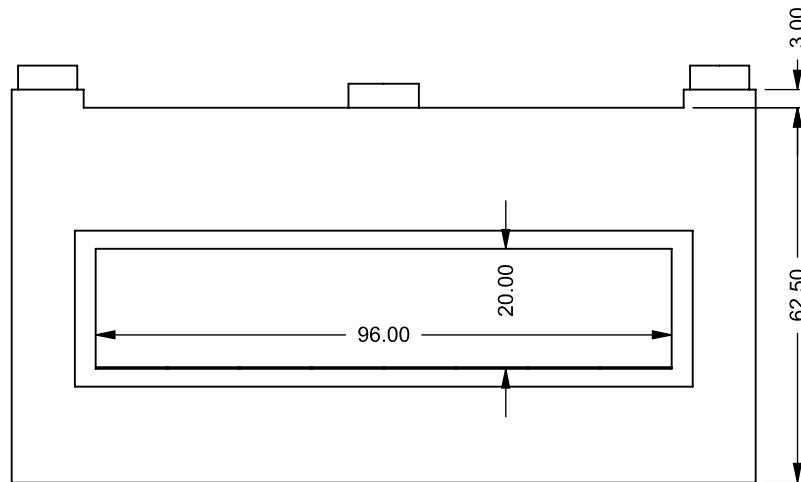
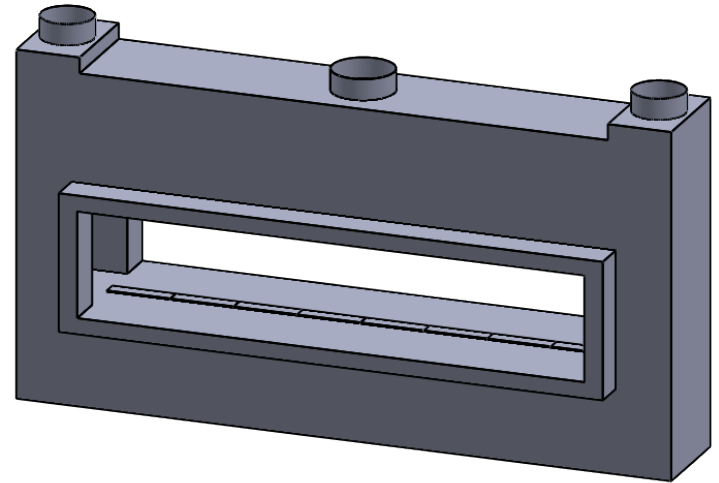
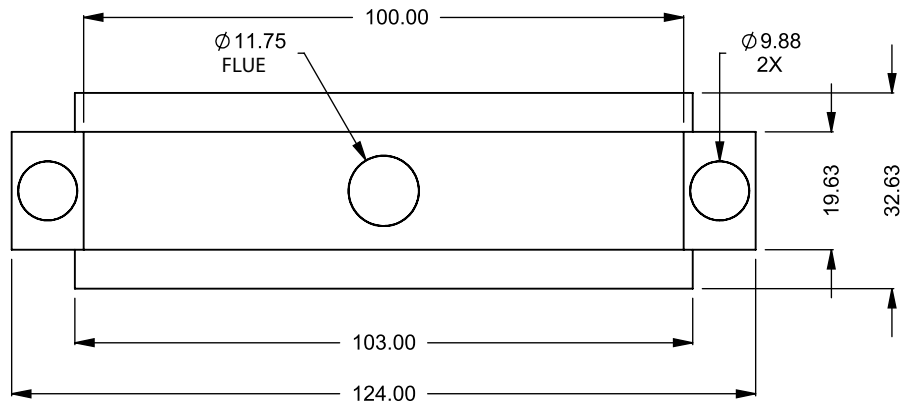
**C820ST**  
 COOL-Pack  
 Top One Side Right Intake

**PRELIMINARY  
 DRAWING ONLY** 

EXAMPLE CONFIGURATION	UNLESS OTHERWISE SPECIFIED	DATE
MONTIGO COMMERCIAL FIREPLACES ARE CUSTOM BUILT FOR EACH PROJECT. THIS DRAWING IS FOR REFERENCE ONLY.  FLUE AND AIR INTAKE SIZES ARE SUBJECT TO CHANGE DEPENDING ON VENT RUN.	DIMENSIONS ARE IN INCHES TOLERANCES: FRACTIONAL $\pm 1/8"$	15/10/2020

**MONTIGO**  
 the art of **fireplaces**  
 www.montigo.com





**C820ST**  
 COOL-Pack  
 Top Dual Side Intake

**PRELIMINARY  
 DRAWING ONLY** 

**EXAMPLE CONFIGURATION**

MONTIGO COMMERCIAL FIREPLACES ARE CUSTOM BUILT FOR EACH PROJECT. THIS DRAWING IS FOR REFERENCE ONLY.

FLUE AND AIR INTAKE SIZES ARE SUBJECT TO CHANGE DEPENDING ON VENT RUN.

**UNLESS OTHERWISE SPECIFIED**

DIMENSIONS ARE IN INCHES  
 TOLERANCES: FRACTIONAL  $\pm 1/8"$

**DATE**

15/10/2020

**MONTIGO**  
 the art of **fireplaces**

[www.montigo.com](http://www.montigo.com)