

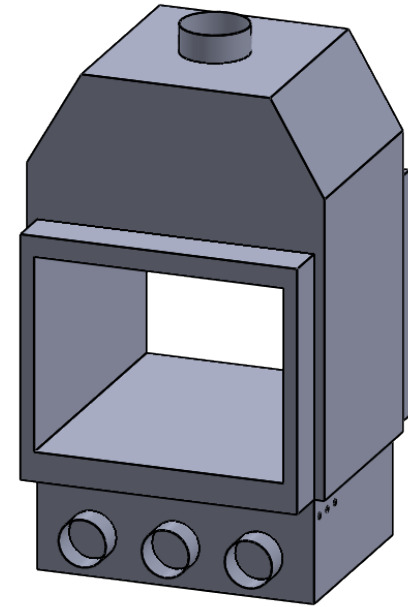
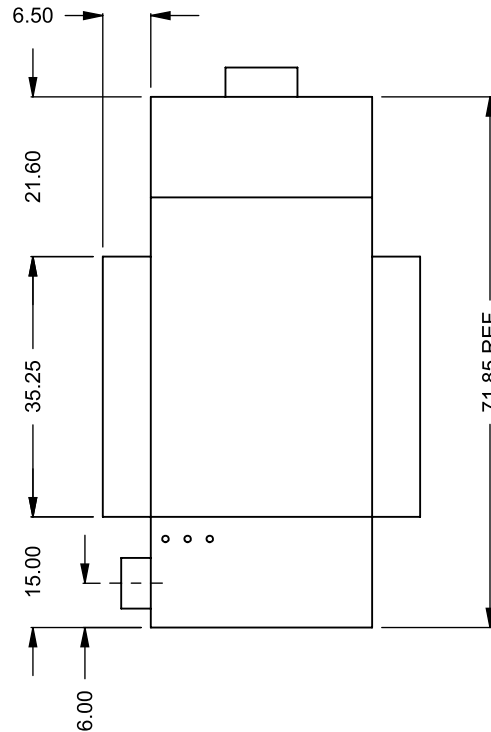
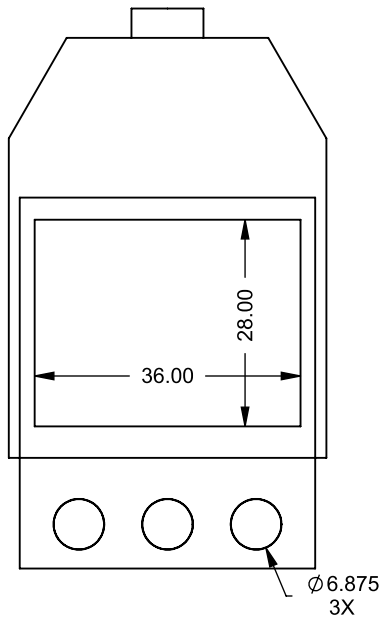
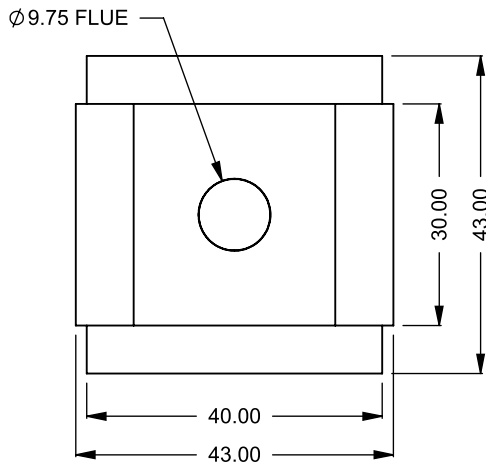
## BF36ST

COOL-Pack / Power COOL-Pack  
**Bottom Intake**

**PRELIMINARY  
 DRAWING ONLY** 

| EXAMPLE CONFIGURATION                                                                                                                                                              | UNLESS OTHERWISE SPECIFIED                                    | DATE       |
|------------------------------------------------------------------------------------------------------------------------------------------------------------------------------------|---------------------------------------------------------------|------------|
| MONTIGO COMMERCIAL FIREPLACES ARE CUSTOM BUILT FOR EACH PROJECT. THIS DRAWING IS FOR REFERENCE ONLY.<br><br>FLUE AND AIR INTAKE SIZES ARE SUBJECT TO CHANGE DEPENDING ON VENT RUN. | DIMENSIONS ARE IN INCHES<br>TOLERANCES: FRACTIONAL $\pm 1/8"$ | 15/10/2020 |

**MONTIGO**  
 the art of **fireplaces**  
[www.montigo.com](http://www.montigo.com)

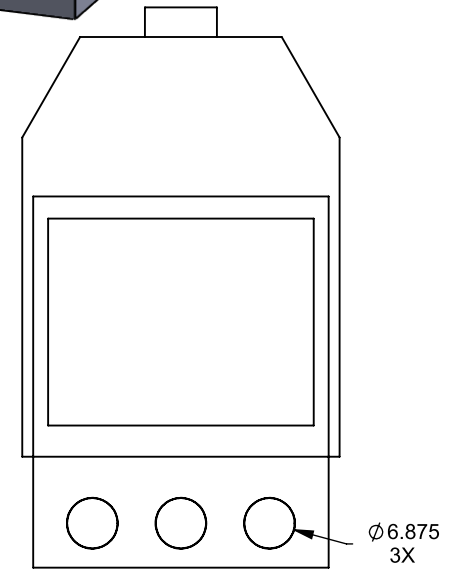
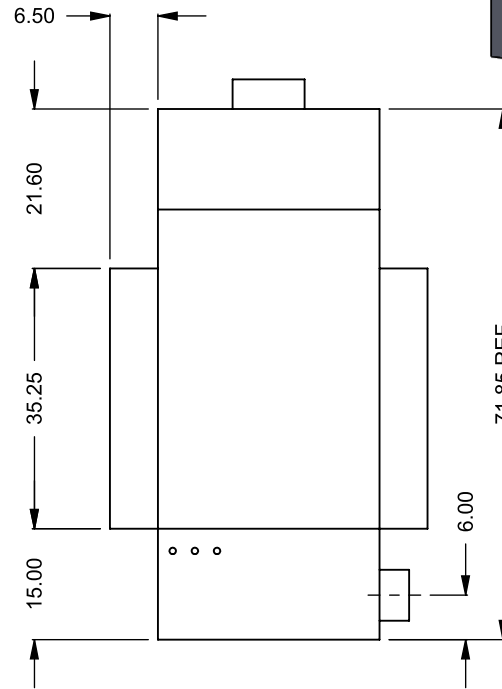
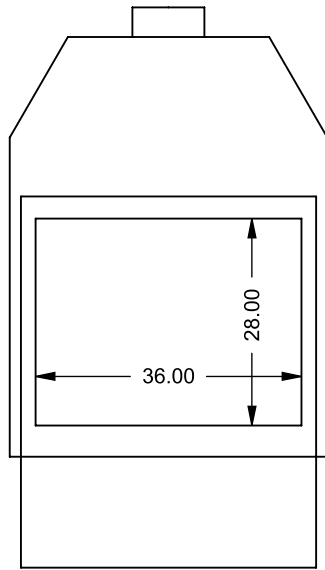
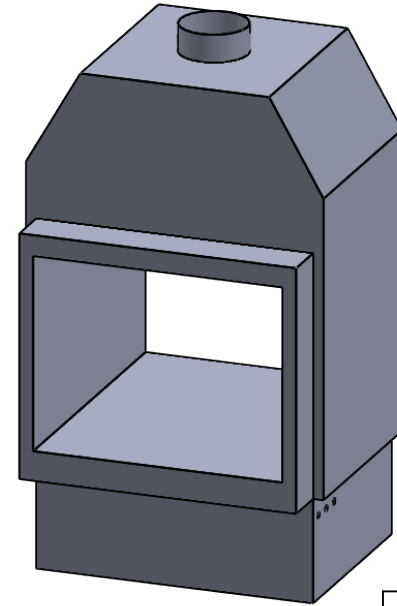
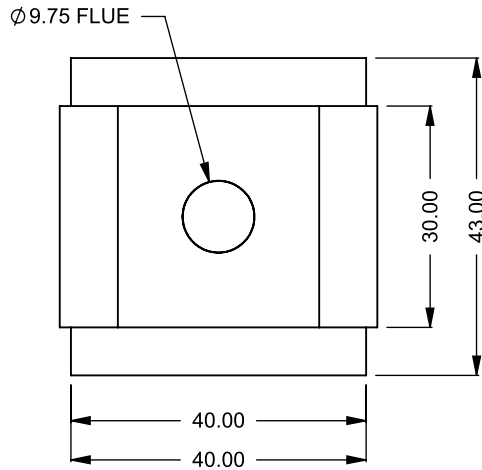


**BF36ST**  
 COOL-Pack / Power COOL-Pack  
**Front Intake**

**PRELIMINARY  
 DRAWING ONLY** 

| EXAMPLE CONFIGURATION                                                                                                                                                              | UNLESS OTHERWISE SPECIFIED                                    | DATE       |
|------------------------------------------------------------------------------------------------------------------------------------------------------------------------------------|---------------------------------------------------------------|------------|
| MONTIGO COMMERCIAL FIREPLACES ARE CUSTOM BUILT FOR EACH PROJECT. THIS DRAWING IS FOR REFERENCE ONLY.<br><br>FLUE AND AIR INTAKE SIZES ARE SUBJECT TO CHANGE DEPENDING ON VENT RUN. | DIMENSIONS ARE IN INCHES<br>TOLERANCES: FRACTIONAL $\pm 1/8"$ | 15/10/2020 |

**MONTIGO**  
 the art of **fireplaces**  
 www.montigo.com



**BF36ST**  
COOL-Pack / Power COOL-Pack  
**Rear Intake**

**PRELIMINARY  
DRAWING ONLY** 

**EXAMPLE CONFIGURATION**

MONTIGO COMMERCIAL FIREPLACES ARE CUSTOM BUILT FOR EACH PROJECT. THIS DRAWING IS FOR REFERENCE ONLY.

FLUE AND AIR INTAKE SIZES ARE SUBJECT TO CHANGE DEPENDING ON VENT RUN.

**UNLESS OTHERWISE SPECIFIED**

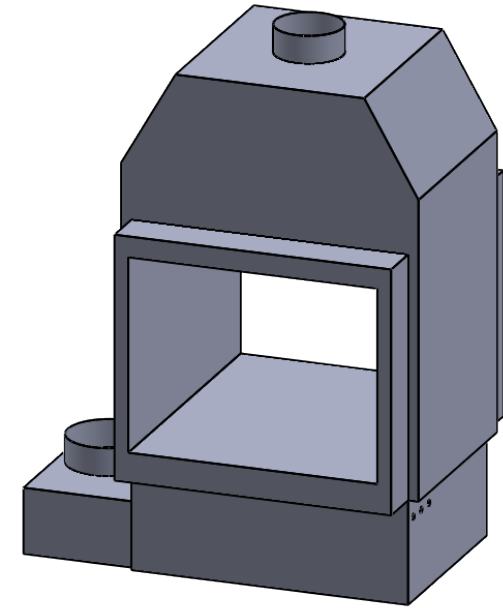
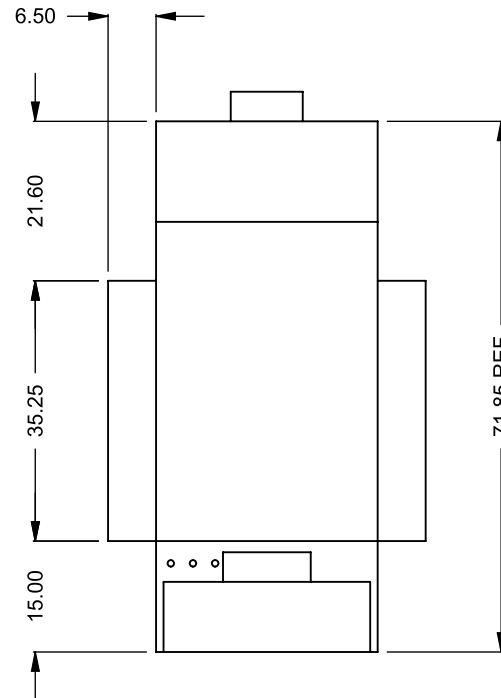
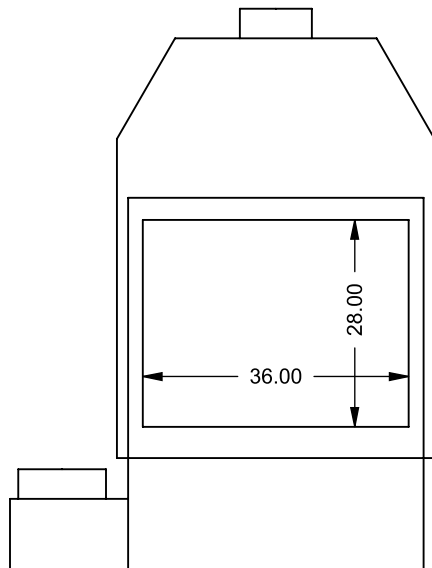
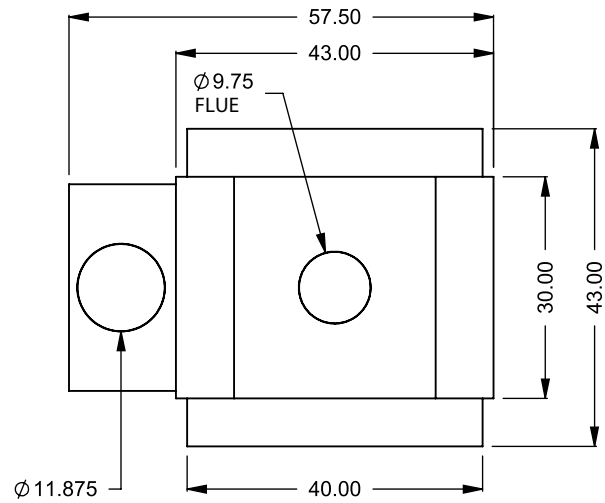
DIMENSIONS ARE IN INCHES  
TOLERANCES: FRACTIONAL  $\pm 1/8"$

**DATE**

15/10/2020

**MONTIGO**  
the art of **fireplaces**

www.montigo.com

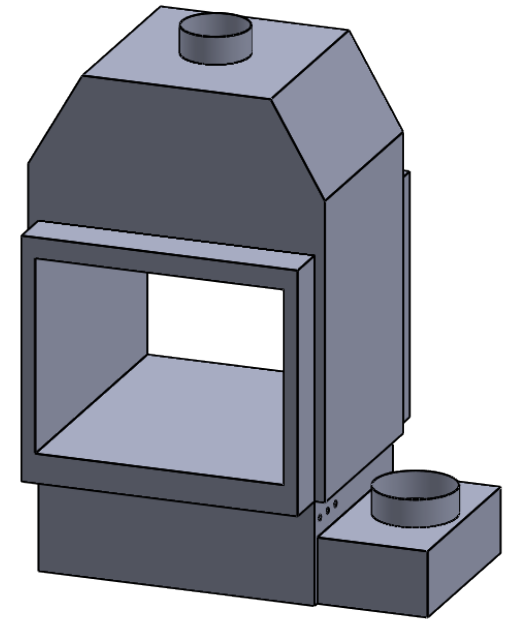
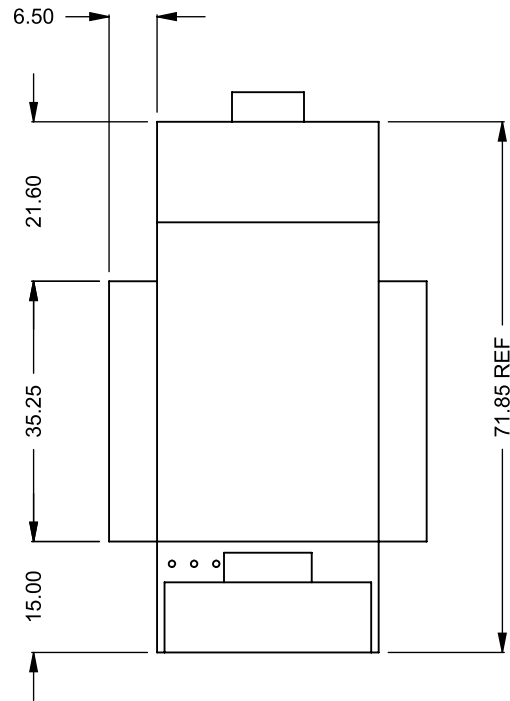
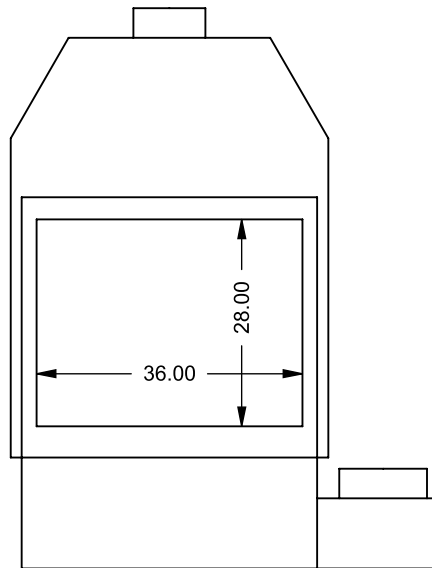
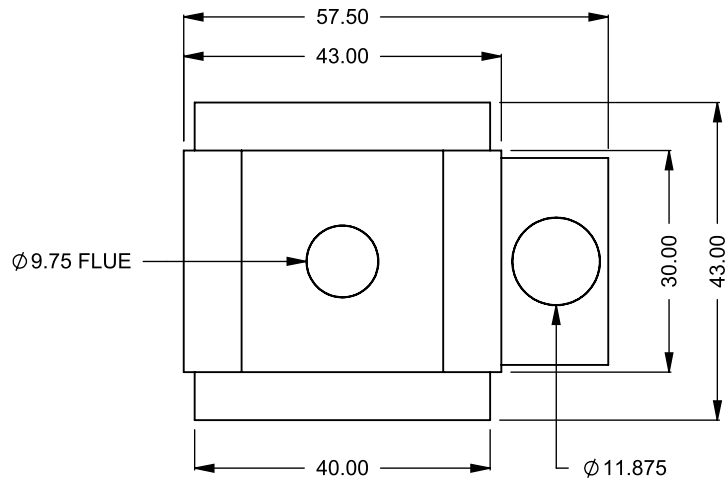


**BF36ST**  
 COOL-Pack / Power COOL-Pack  
 One Side Left Intake

**PRELIMINARY  
 DRAWING ONLY** 

| EXAMPLE CONFIGURATION                                                                                                                                                              | UNLESS OTHERWISE SPECIFIED                                    | DATE       |
|------------------------------------------------------------------------------------------------------------------------------------------------------------------------------------|---------------------------------------------------------------|------------|
| MONTIGO COMMERCIAL FIREPLACES ARE CUSTOM BUILT FOR EACH PROJECT. THIS DRAWING IS FOR REFERENCE ONLY.<br><br>FLUE AND AIR INTAKE SIZES ARE SUBJECT TO CHANGE DEPENDING ON VENT RUN. | DIMENSIONS ARE IN INCHES<br>TOLERANCES: FRACTIONAL $\pm 1/8"$ | 15/10/2020 |

**MONTIGO**  
 the art of **fireplaces**  
 www.montigo.com

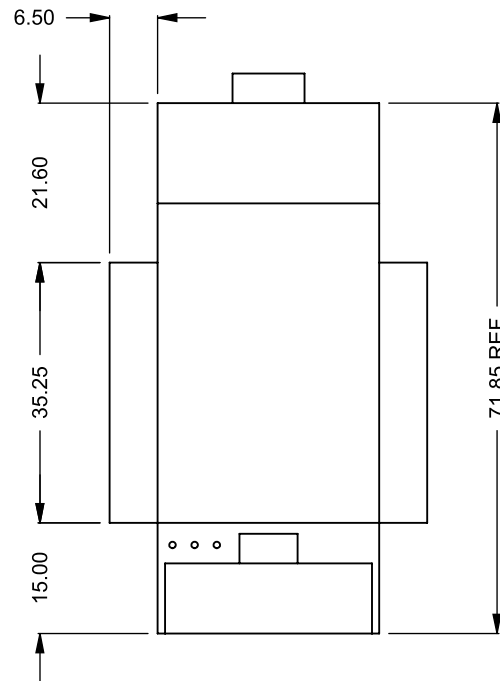
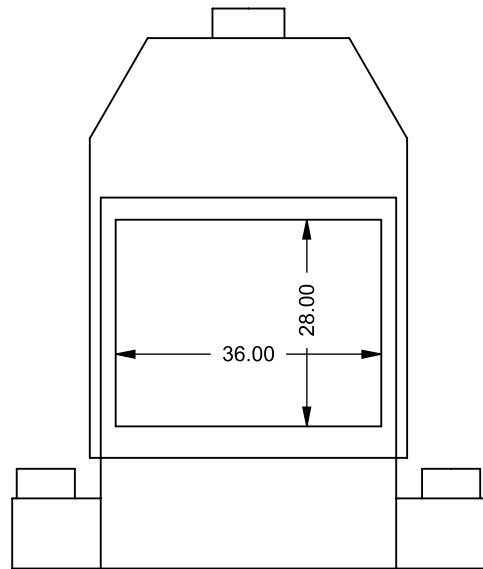
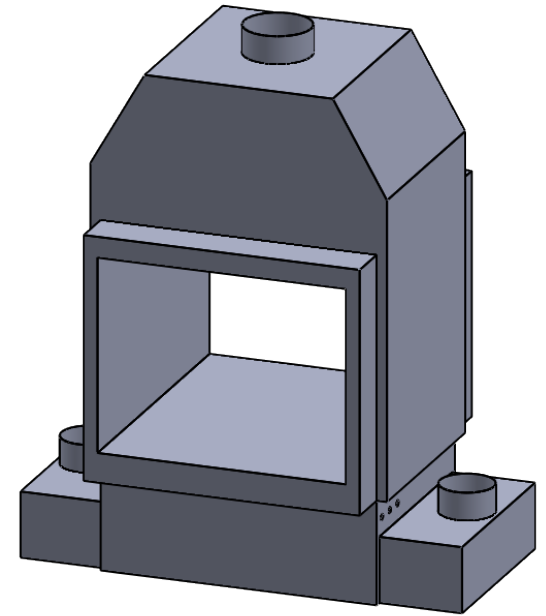
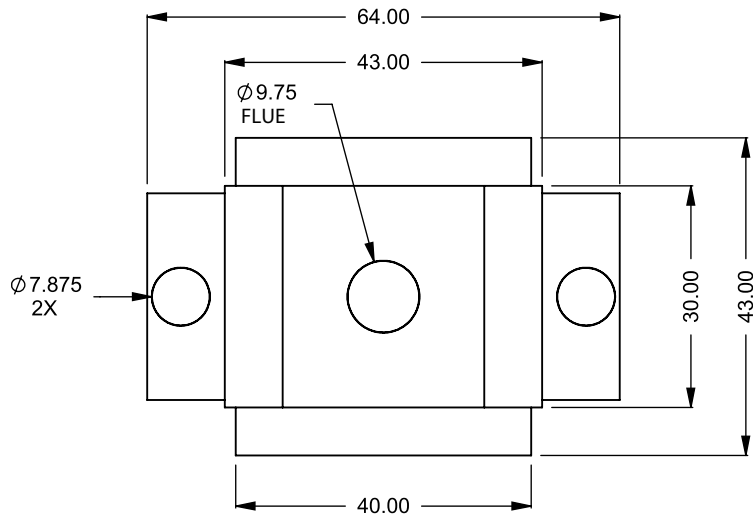


**BF36ST**  
 COOL-Pack / Power COOL-Pack  
**One Side Right Intake**

**PRELIMINARY  
 DRAWING ONLY** 

| EXAMPLE CONFIGURATION                                                                                                                                                              | UNLESS OTHERWISE SPECIFIED                                    | DATE       |
|------------------------------------------------------------------------------------------------------------------------------------------------------------------------------------|---------------------------------------------------------------|------------|
| MONTIGO COMMERCIAL FIREPLACES ARE CUSTOM BUILT FOR EACH PROJECT. THIS DRAWING IS FOR REFERENCE ONLY.<br><br>FLUE AND AIR INTAKE SIZES ARE SUBJECT TO CHANGE DEPENDING ON VENT RUN. | DIMENSIONS ARE IN INCHES<br>TOLERANCES: FRACTIONAL $\pm 1/8"$ | 15/10/2020 |

**MONTIGO**  
 the art of **fireplaces**  
 www.montigo.com

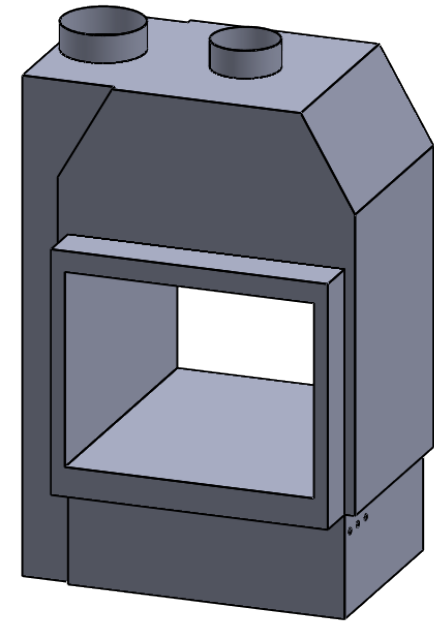
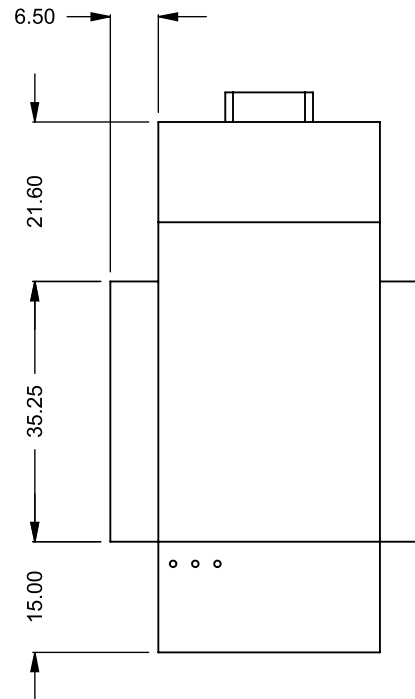
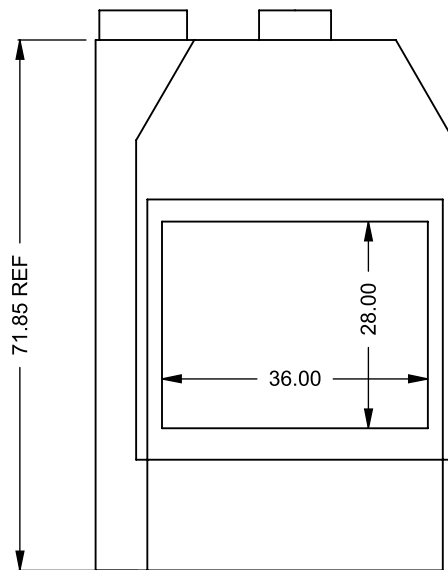
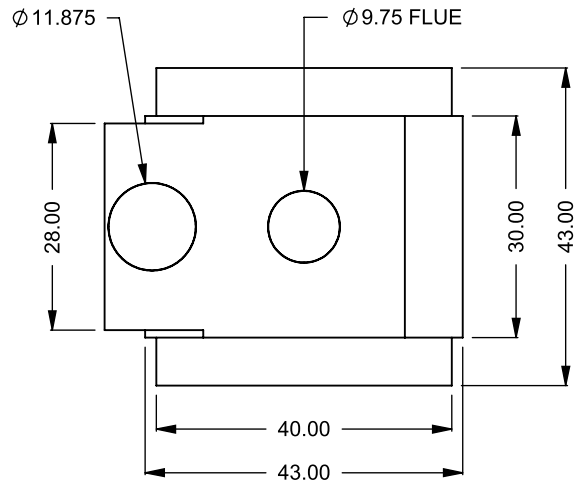


**BF36ST**  
 COOL-Pack / Power COOL-Pack  
**Dual Side Intake**

**PRELIMINARY  
 DRAWING ONLY** 

| <b>EXAMPLE CONFIGURATION</b>                                                                                                                                                       | <b>UNLESS OTHERWISE SPECIFIED</b>                             | <b>DATE</b> |
|------------------------------------------------------------------------------------------------------------------------------------------------------------------------------------|---------------------------------------------------------------|-------------|
| MONTIGO COMMERCIAL FIREPLACES ARE CUSTOM BUILT FOR EACH PROJECT. THIS DRAWING IS FOR REFERENCE ONLY.<br><br>FLUE AND AIR INTAKE SIZES ARE SUBJECT TO CHANGE DEPENDING ON VENT RUN. | DIMENSIONS ARE IN INCHES<br>TOLERANCES: FRACTIONAL $\pm 1/8"$ | 15/10/2020  |

**MONTIGO**  
 the art of **fireplaces**  
 www.montigo.com

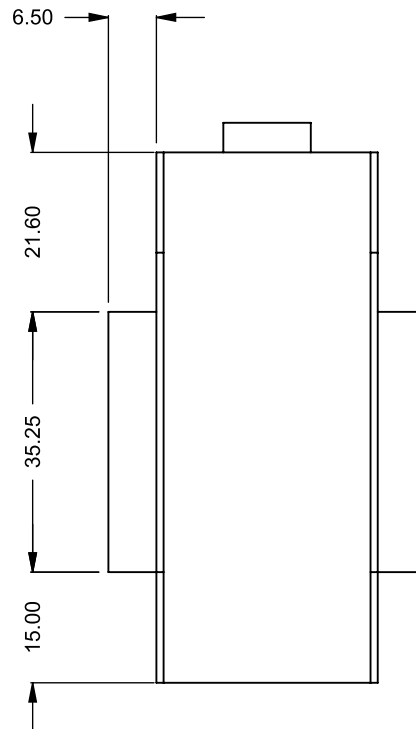
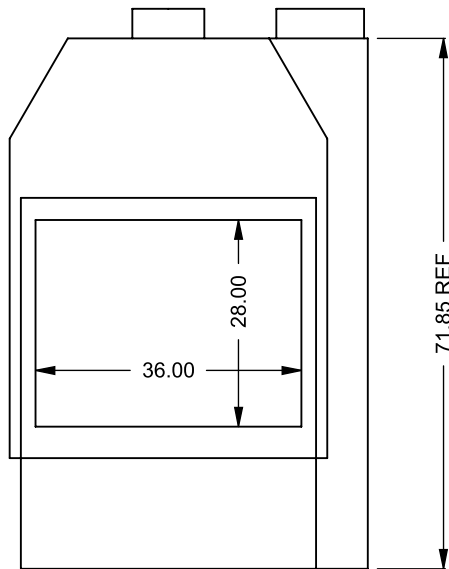
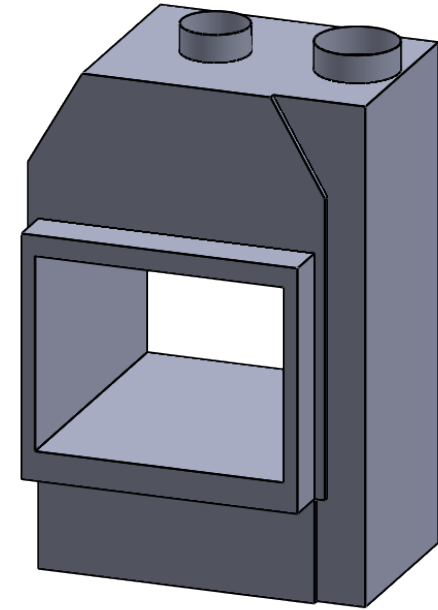
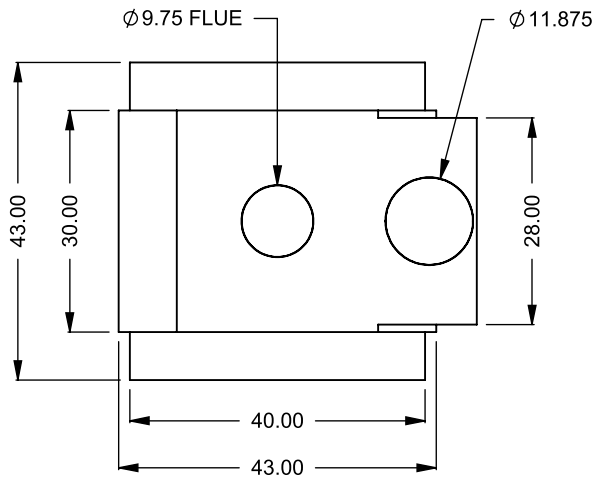


**BF36ST**  
 COOL-Pack / Power COOL-Pack  
 Top One Side Left Intake

**PRELIMINARY  
 DRAWING ONLY** 

| EXAMPLE CONFIGURATION                                                                                                                                                              | UNLESS OTHERWISE SPECIFIED                                    | DATE       |
|------------------------------------------------------------------------------------------------------------------------------------------------------------------------------------|---------------------------------------------------------------|------------|
| MONTIGO COMMERCIAL FIREPLACES ARE CUSTOM BUILT FOR EACH PROJECT. THIS DRAWING IS FOR REFERENCE ONLY.<br><br>FLUE AND AIR INTAKE SIZES ARE SUBJECT TO CHANGE DEPENDING ON VENT RUN. | DIMENSIONS ARE IN INCHES<br>TOLERANCES: FRACTIONAL $\pm 1/8"$ | 15/10/2020 |

**MONTIGO**  
 the art of **fireplaces**  
 www.montigo.com



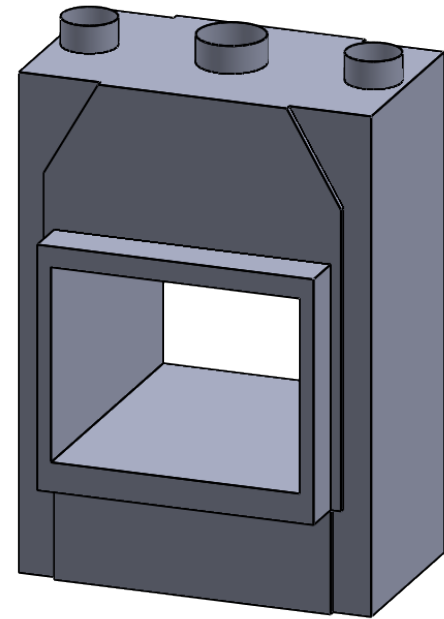
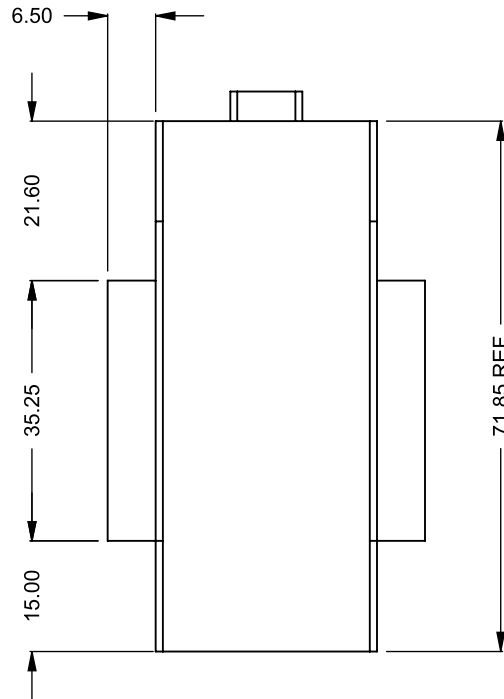
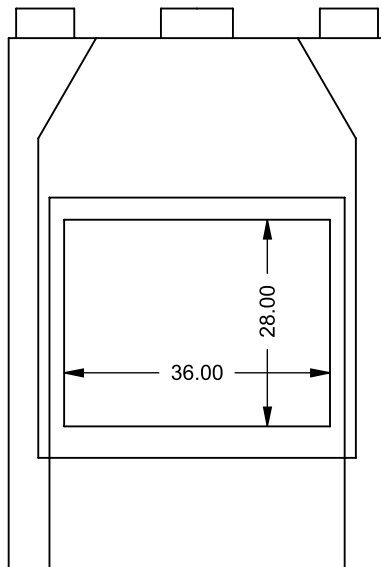
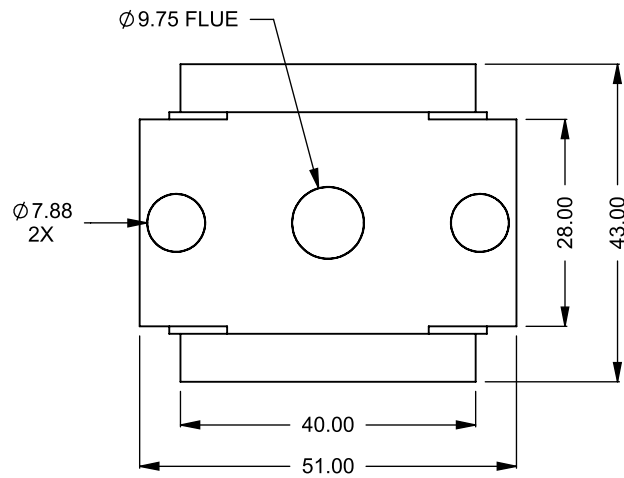
**BF36ST**  
 COOL-Pack / Power COOL-Pack  
 Top One Side Right Intake

**PRELIMINARY  
 DRAWING ONLY** 

| EXAMPLE CONFIGURATION                                                                                                                                                              | UNLESS OTHERWISE SPECIFIED                                    | DATE       |
|------------------------------------------------------------------------------------------------------------------------------------------------------------------------------------|---------------------------------------------------------------|------------|
| MONTIGO COMMERCIAL FIREPLACES ARE CUSTOM BUILT FOR EACH PROJECT. THIS DRAWING IS FOR REFERENCE ONLY.<br><br>FLUE AND AIR INTAKE SIZES ARE SUBJECT TO CHANGE DEPENDING ON VENT RUN. | DIMENSIONS ARE IN INCHES<br>TOLERANCES: FRACTIONAL $\pm 1/8"$ | 15/10/2020 |

**MONTIGO**  
 the art of **fireplaces**  
 www.montigo.com





**BF36ST**  
 COOL-Pack / Power COOL-Pack  
 Top Dual Side Intake

**PRELIMINARY  
 DRAWING ONLY** 

| EXAMPLE CONFIGURATION                                                                                                                                                              | UNLESS OTHERWISE SPECIFIED                                    | DATE       |
|------------------------------------------------------------------------------------------------------------------------------------------------------------------------------------|---------------------------------------------------------------|------------|
| MONTIGO COMMERCIAL FIREPLACES ARE CUSTOM BUILT FOR EACH PROJECT. THIS DRAWING IS FOR REFERENCE ONLY.<br><br>FLUE AND AIR INTAKE SIZES ARE SUBJECT TO CHANGE DEPENDING ON VENT RUN. | DIMENSIONS ARE IN INCHES<br>TOLERANCES: FRACTIONAL $\pm 1/8"$ | 15/10/2020 |

**MONTIGO**  
 the art of **fireplaces**  
 www.montigo.com