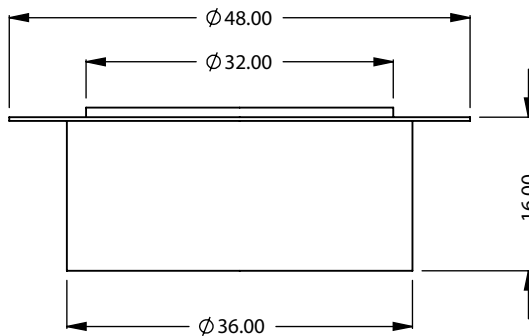
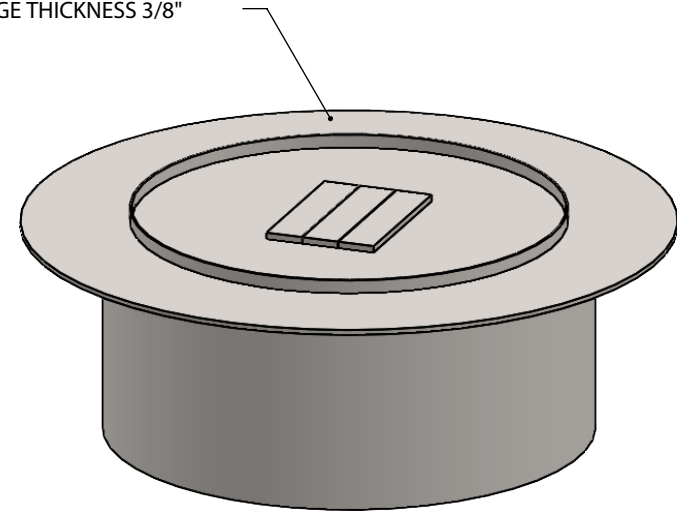


DRINK LEDGE THICKNESS 3/8"

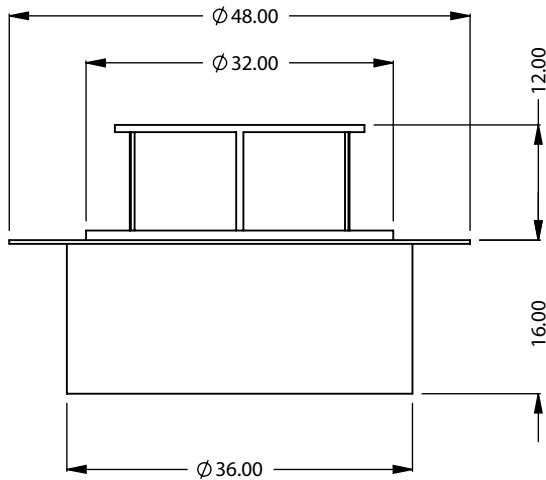
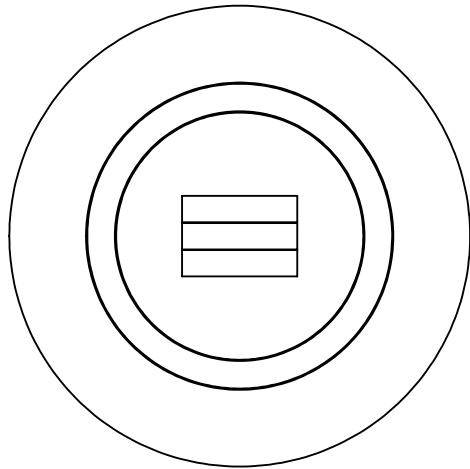


**CFPO-RD-36-SB-DL**  
 Round Firepit  
**Bottom Intake**

**PRELIMINARY  
 DRAWING ONLY** 

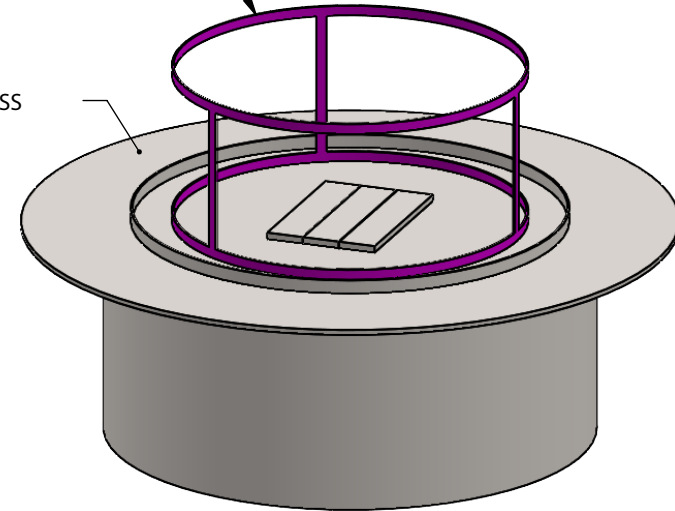
<b>EXAMPLE CONFIGURATION</b>	<b>UNLESS OTHERWISE SPECIFIED</b>	<b>DATE</b>
MONTIGO COMMERCIAL FIREPLACES ARE CUSTOM BUILT FOR EACH PROJECT. THIS DRAWING IS FOR REFERENCE ONLY.  FLUE AND AIR INTAKE SIZES ARE SUBJECT TO CHANGE DEPENDING ON VENT RUN.	DIMENSIONS ARE IN INCHES TOLERANCES: FRACTIONAL $\pm 1/8"$	4/25/2023

**MONTIGO**  
 the art of **fireplaces**  
[www.montigo.com](http://www.montigo.com)



MESH SCREEN

3/8" DRINK LEDGE THICKNESS

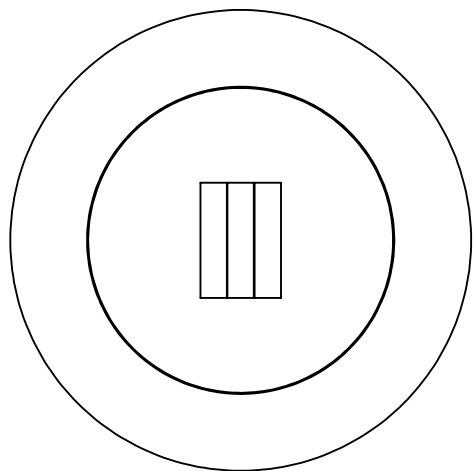


**CFPO-RD-36-SB-DL-MS**  
 Round Firepit  
**Bottom Intake**

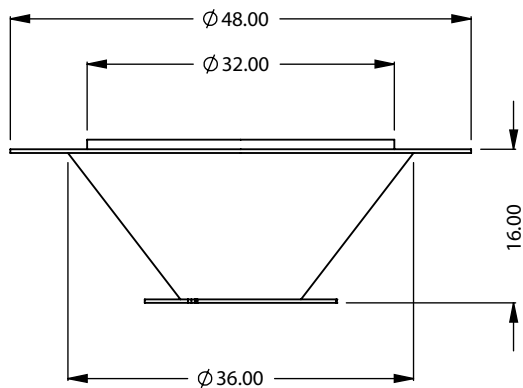
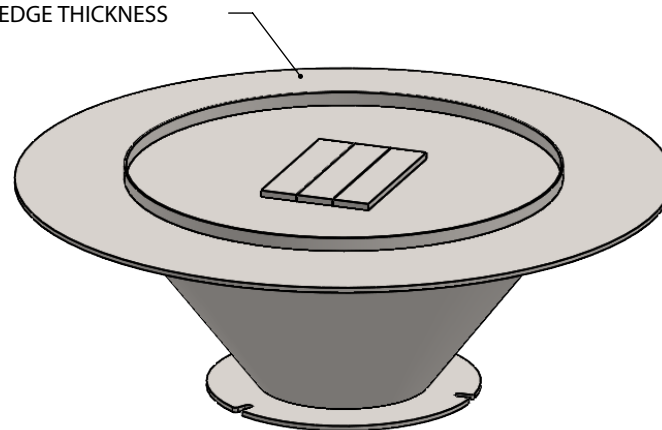
**PRELIMINARY  
 DRAWING ONLY** 

EXAMPLE CONFIGURATION	UNLESS OTHERWISE SPECIFIED	DATE
MONTIGO COMMERCIAL FIREPLACES ARE CUSTOM BUILT FOR EACH PROJECT. THIS DRAWING IS FOR REFERENCE ONLY.  FLUE AND AIR INTAKE SIZES ARE SUBJECT TO CHANGE DEPENDING ON VENT RUN.	DIMENSIONS ARE IN INCHES TOLERANCES: FRACTIONAL $\pm 1/8"$	4/25/2023

**MONTIGO**  
 the art of **fireplaces**  
 www.montigo.com



3/8" DRINK LEDGE THICKNESS

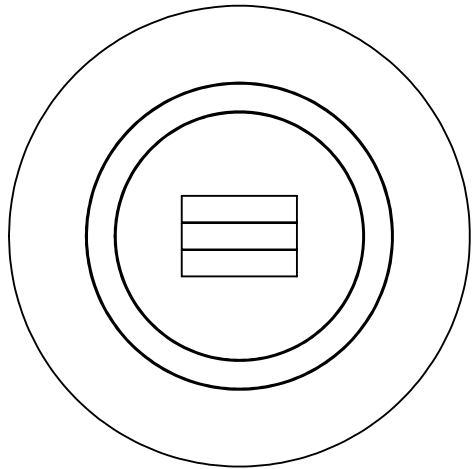


**CFPO-RD-36-TB-DL**  
 Round Firepit  
**Bottom Intake**

**PRELIMINARY  
 DRAWING ONLY** 

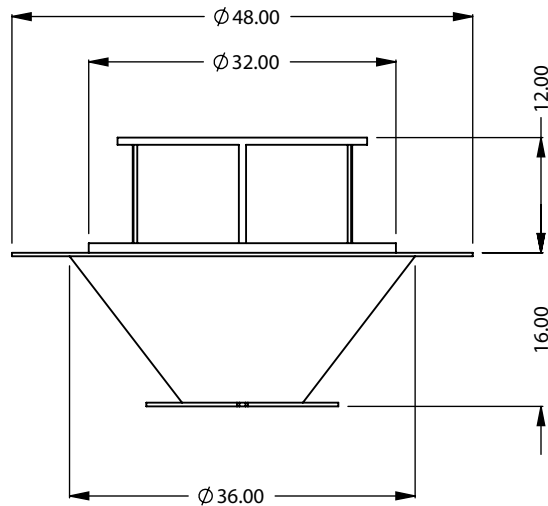
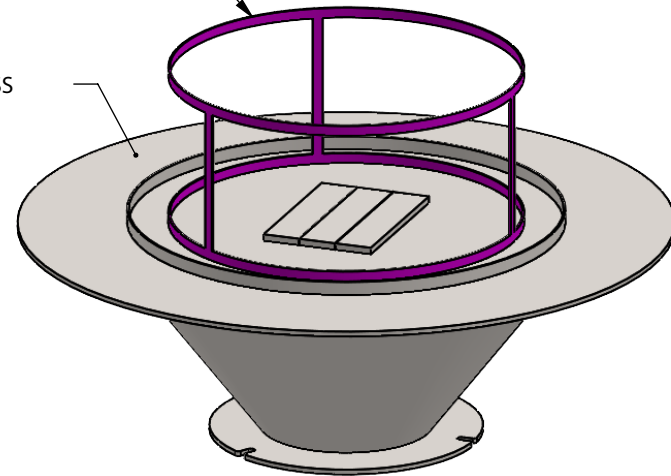
<b>EXAMPLE CONFIGURATION</b>	<b>UNLESS OTHERWISE SPECIFIED</b>	<b>DATE</b>
MONTIGO COMMERCIAL FIREPLACES ARE CUSTOM BUILT FOR EACH PROJECT. THIS DRAWING IS FOR REFERENCE ONLY.  FLUE AND AIR INTAKE SIZES ARE SUBJECT TO CHANGE DEPENDING ON VENT RUN.	DIMENSIONS ARE IN INCHES TOLERANCES: FRACTIONAL $\pm 1/8"$	4/25/2023

**MONTIGO**  
 the art of **fireplaces**  
 www.montigo.com



MESH SCREEN

3/8" DRINK LEDGE THICKNESS

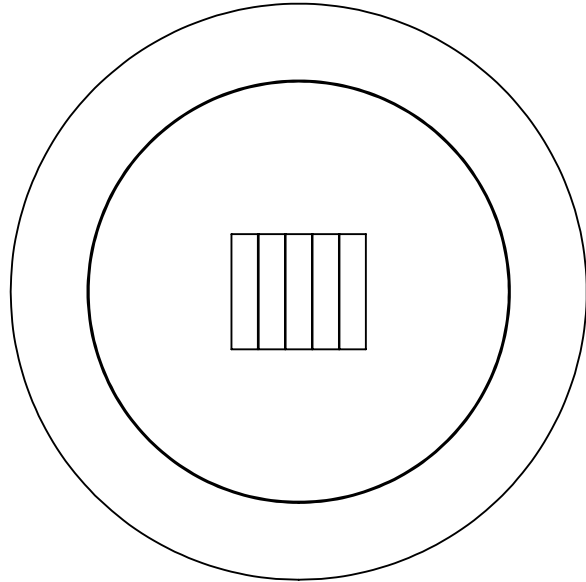


**CFPO-RD-36-TB-DL-MS**  
 Round Firepit  
**Bottom Intake**

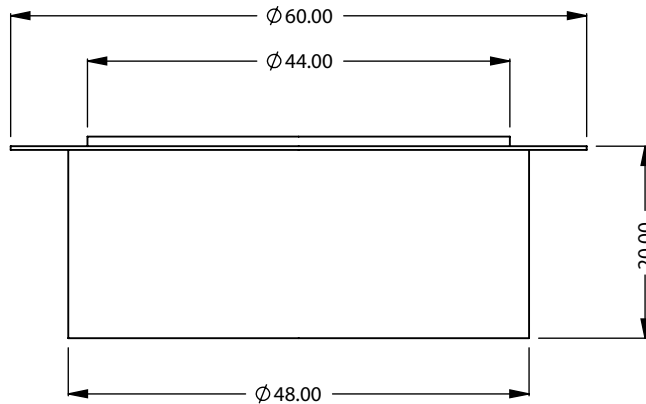
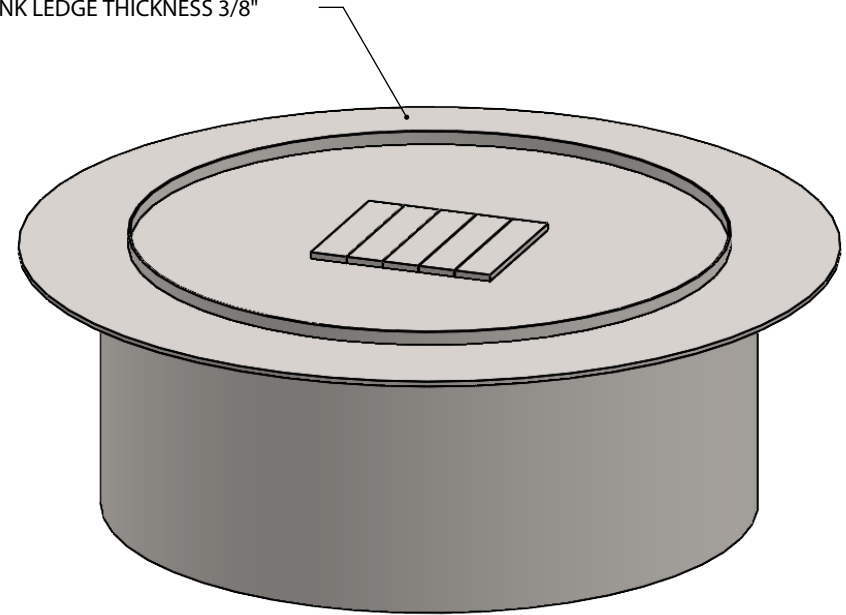
**PRELIMINARY  
 DRAWING ONLY**

EXAMPLE CONFIGURATION	UNLESS OTHERWISE SPECIFIED	DATE
MONTIGO COMMERCIAL FIREPLACES ARE CUSTOM BUILT FOR EACH PROJECT. THIS DRAWING IS FOR REFERENCE ONLY.  FLUE AND AIR INTAKE SIZES ARE SUBJECT TO CHANGE DEPENDING ON VENT RUN.	DIMENSIONS ARE IN INCHES TOLERANCES: FRACTIONAL $\pm 1/8"$	4/25/2023

**MONTIGO**  
 the art of **fireplaces**  
[www.montigo.com](http://www.montigo.com)



DRINK LEDGE THICKNESS 3/8"

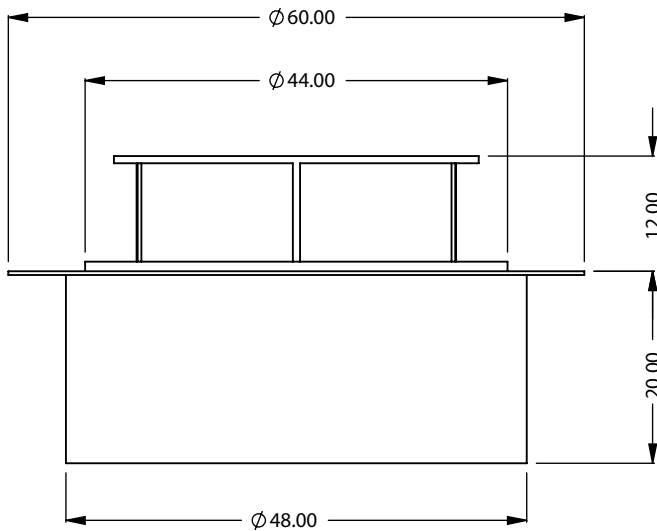
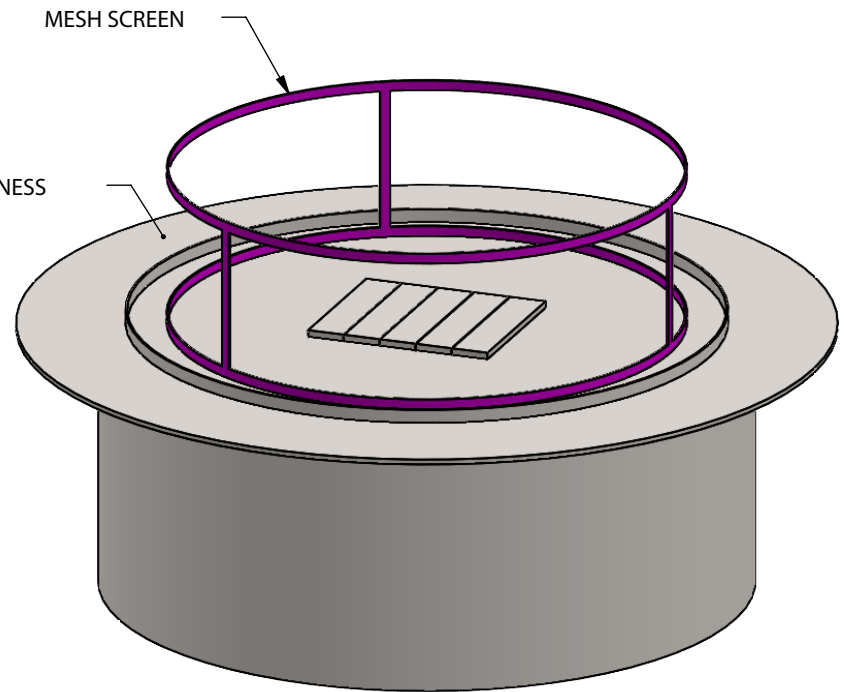
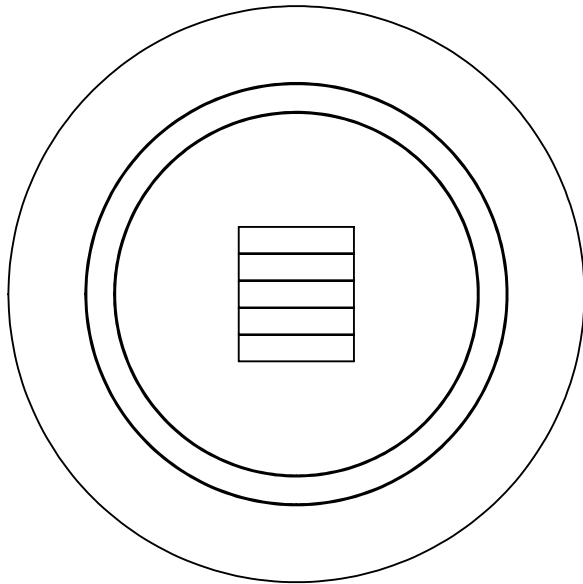


**CFPO-RD-48-SB-DL**  
 Round Firepit  
**Bottom Intake**

**PRELIMINARY  
 DRAWING ONLY** 

EXAMPLE CONFIGURATION	UNLESS OTHERWISE SPECIFIED	DATE
MONTIGO COMMERCIAL FIREPLACES ARE CUSTOM BUILT FOR EACH PROJECT. THIS DRAWING IS FOR REFERENCE ONLY.  FLUE AND AIR INTAKE SIZES ARE SUBJECT TO CHANGE DEPENDING ON VENT RUN.	DIMENSIONS ARE IN INCHES TOLERANCES: FRACTIONAL $\pm 1/8"$	4/25/2023

**MONTIGO**  
 the art of **fireplaces**  
 www.montigo.com

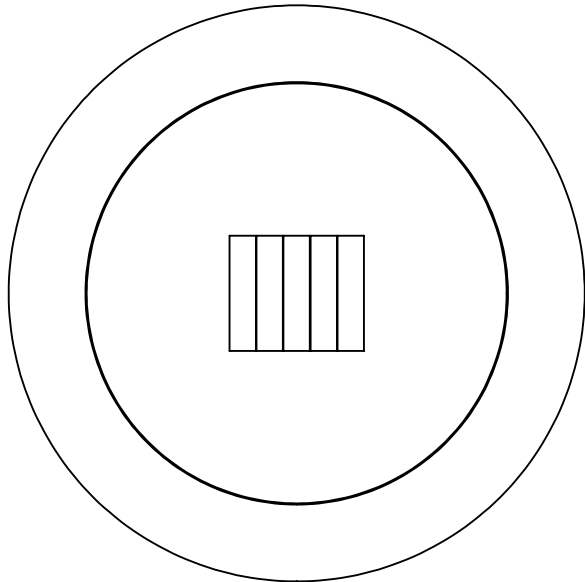


**CFPO-RD-48-SB-DL-MS**  
 Round Firepit  
**Bottom Intake**

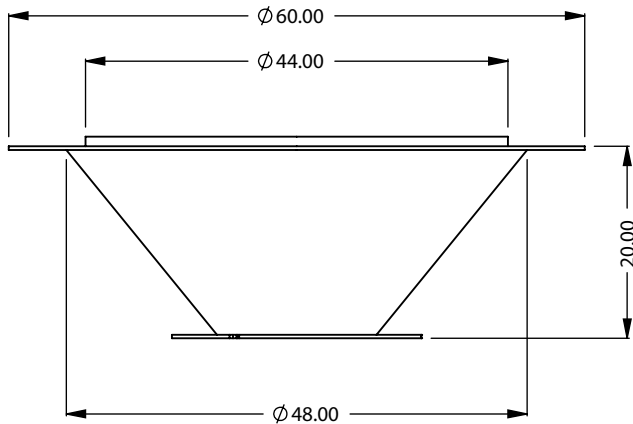
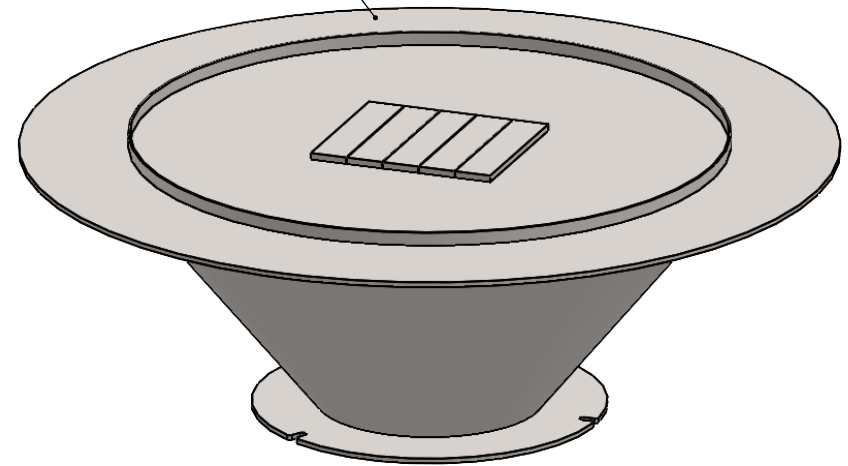
**PRELIMINARY  
 DRAWING ONLY**

EXAMPLE CONFIGURATION	UNLESS OTHERWISE SPECIFIED	DATE
MONTIGO COMMERCIAL FIREPLACES ARE CUSTOM BUILT FOR EACH PROJECT. THIS DRAWING IS FOR REFERENCE ONLY.  FLUE AND AIR INTAKE SIZES ARE SUBJECT TO CHANGE DEPENDING ON VENT RUN.	DIMENSIONS ARE IN INCHES TOLERANCES: FRACTIONAL $\pm 1/8"$	4/25/2023

**MONTIGO**  
 the art of **fireplaces**  
 www.montigo.com



3/8" DRINK LEDGE THICKNESS

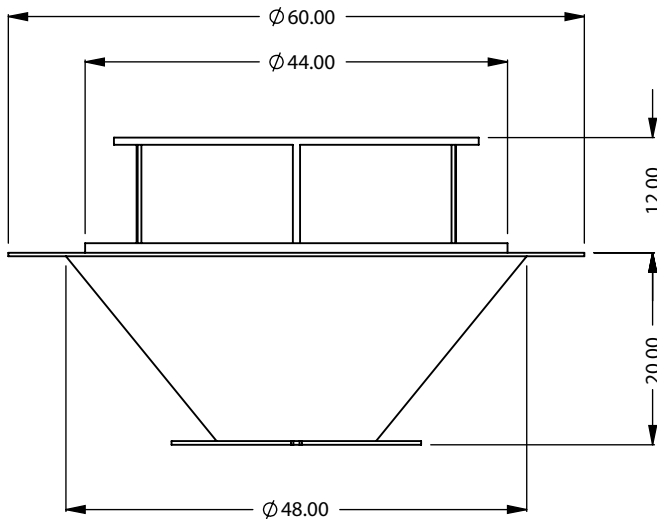
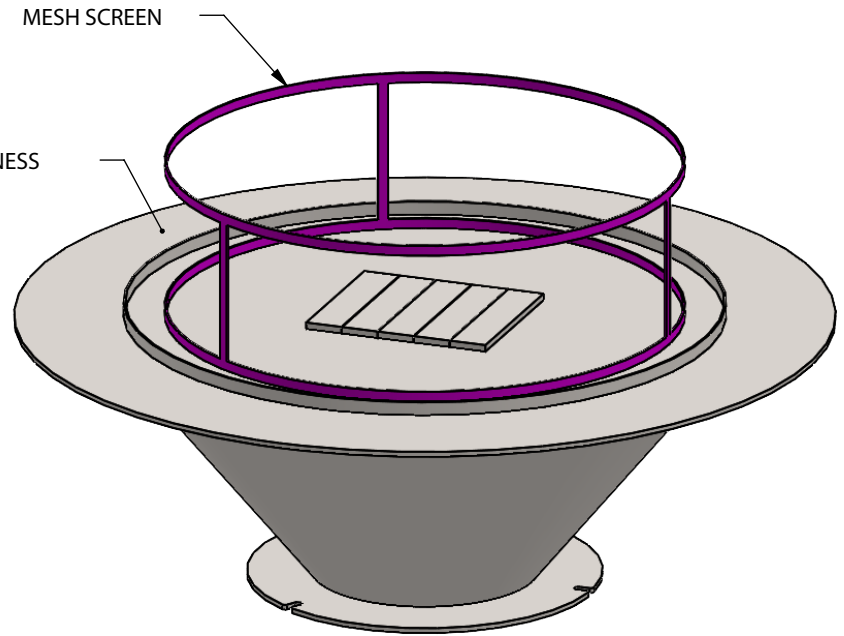
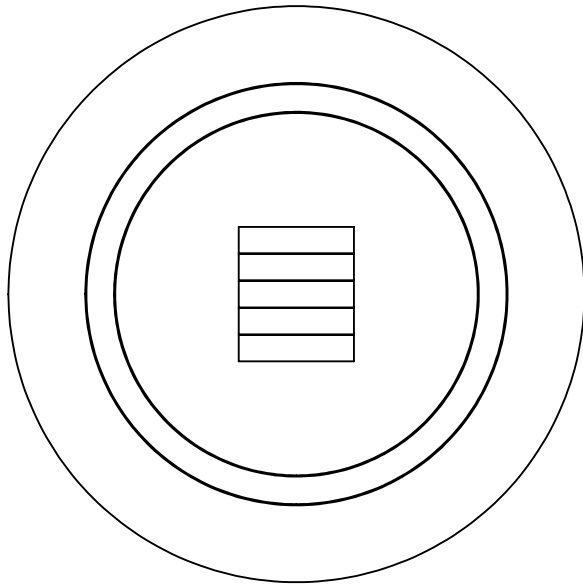


**CFPO-RD-48-TB-DL**  
 Round Firepit  
**Bottom Intake**

**PRELIMINARY  
 DRAWING ONLY** 

EXAMPLE CONFIGURATION	UNLESS OTHERWISE SPECIFIED	DATE
MONTIGO COMMERCIAL FIREPLACES ARE CUSTOM BUILT FOR EACH PROJECT. THIS DRAWING IS FOR REFERENCE ONLY.  FLUE AND AIR INTAKE SIZES ARE SUBJECT TO CHANGE DEPENDING ON VENT RUN.	DIMENSIONS ARE IN INCHES TOLERANCES: FRACTIONAL $\pm 1/8"$	4/25/2023

**MONTIGO**  
 the art of **fireplaces**  
 www.montigo.com



**CFPO-RD-48-TB-DL-MS**  
 Round Firepit  
**Bottom Intake**

**PRELIMINARY  
 DRAWING ONLY**

EXAMPLE CONFIGURATION	UNLESS OTHERWISE SPECIFIED	DATE
MONTIGO COMMERCIAL FIREPLACES ARE CUSTOM BUILT FOR EACH PROJECT. THIS DRAWING IS FOR REFERENCE ONLY.  FLUE AND AIR INTAKE SIZES ARE SUBJECT TO CHANGE DEPENDING ON VENT RUN.	DIMENSIONS ARE IN INCHES TOLERANCES: FRACTIONAL $\pm 1/8"$	4/25/2023

**MONTIGO**  
 the art of **fireplaces**  
 www.montigo.com