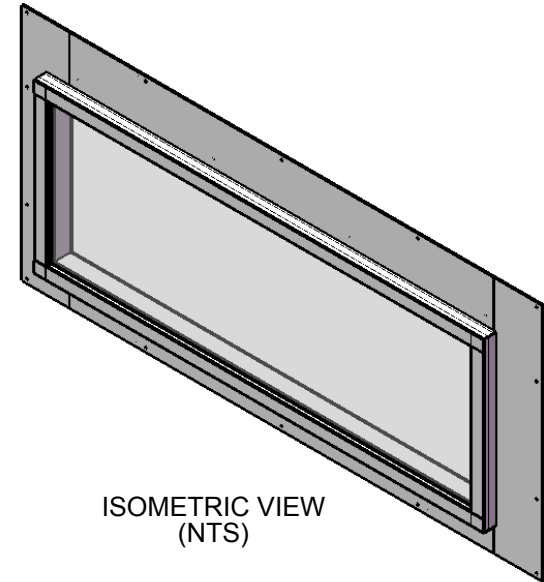
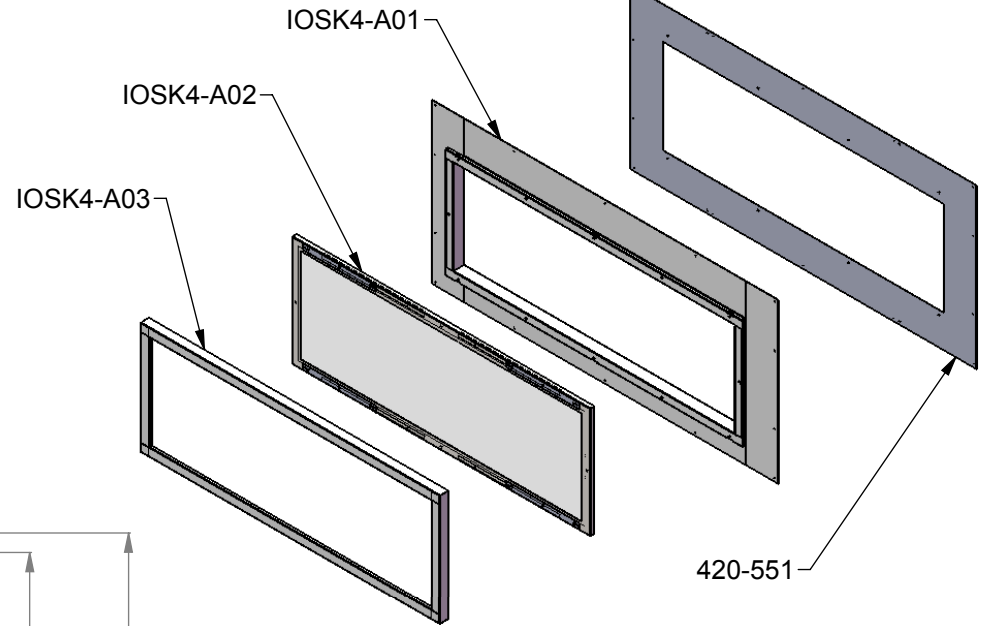
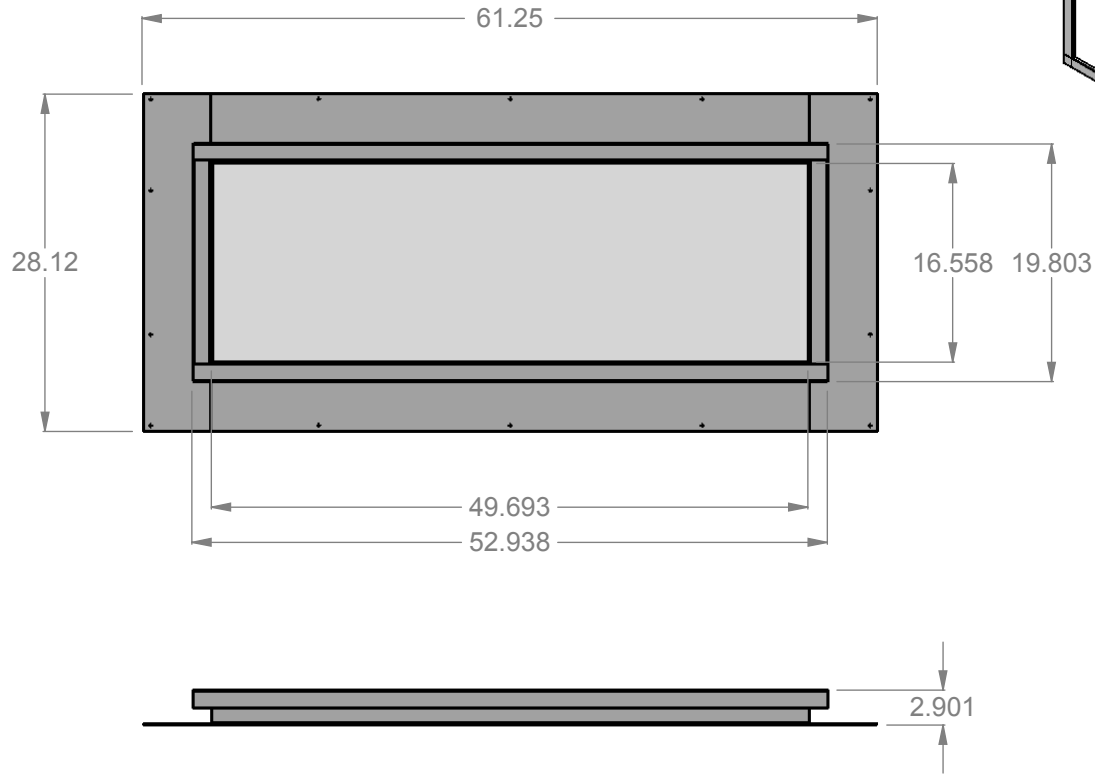


ITEM NO.	PART NUMBER	DESCRIPTION	QTY.	REV.
1	IOSK4-A03	DOOR TRIM ASSEMBLY, IOSK4	1	B
2	420-551	BACK PLATE, IOSK4	1	A
3	IOSK4-A01	OUTER FRAME, IOSK4	1	B
4	IOSK4-A02	DOOR ASSEMBLY, IOSK4	1	A



INDOOR OUTDOOR SEALING KIT FOR R420



DIMENSIONS ARE IN INCHES
 TOLERANCES:
 FRACTIONAL ± 1/32"
 TWO PLACE DECIMAL ± .015"
 THREE PLACE DECIMAL ± .005"
 ALL BENDS ARE ASSUMED TO BE 90° UNLESS NOTED OTHERWISE.

	NAME	DATE
DRAWN BY	LF/AT	8/16/2012
CHECKED BY		
MATERIAL		
FINISH		

SIZE	DWG. NO.	REV.
A	IOSK4	B
SCALE	NTS	WEIGHT:
		SHEET 1 OF 1

PROPRIETARY AND CONFIDENTIAL

THE INFORMATION CONTAINED IN THIS DRAWING IS THE SOLE PROPERTY OF CANADIAN HEATING PRODUCTS. ANY REPRODUCTION IN PART OR AS A WHOLE WITHOUT THE WRITTEN PERMISSION OF CANADIAN HEATING PRODUCTS IS PROHIBITED.

Thursday, August 16, 2012 12:40:00 PM

Z:\CADD\2007 CADD\Standard\Residential C-View\VIEW IOSK4\2010\IOSK4