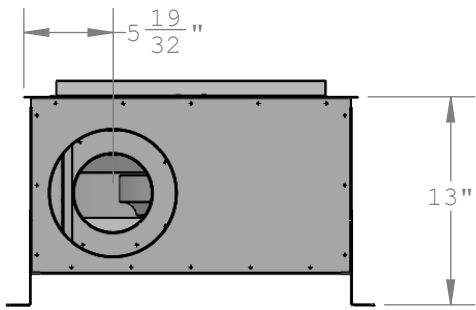
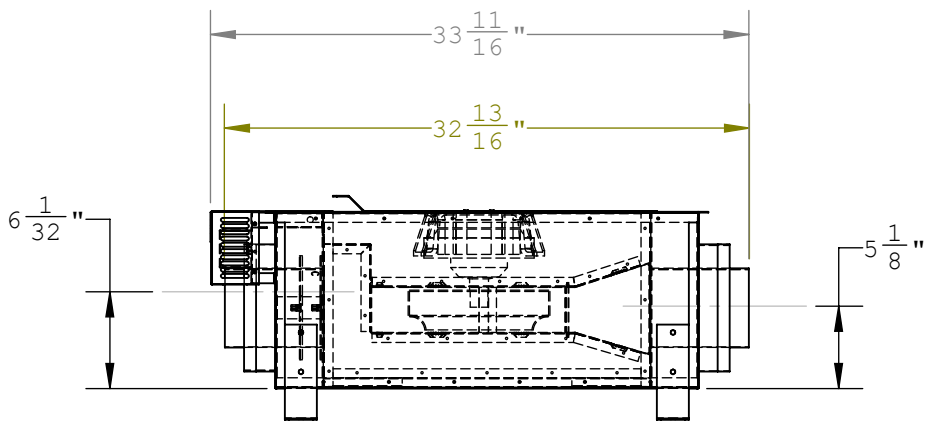
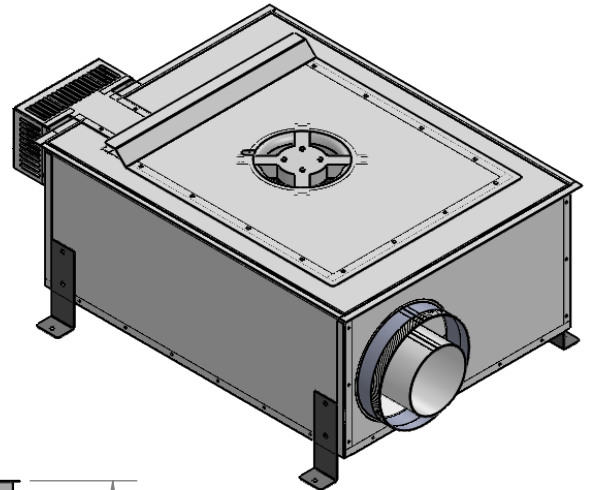


SECTION A-A



REVISIONS

REV.	DESCRIPTION	DATE	CHANGED BY
B	GASKET ADDED AND VACUUM SWITCH REMOVED.	09/29/2014	PC
C	TOP PANEL, COVER PLATE, COMPONENTS MOUNTING BRACKET, COMPONENTS COVER AND WIRE CROSS OVER CHG.'D	10/10/2014	PC
D	MOTOR PLATE GASKET ADDED.	10/22/2014	PC
E	ONE PVRF12-20 COLLAR REPLACED WITH PVRF13-20.	02/18/2016	PC

DIMENSIONS ARE IN INCHES  
 TOLERANCES:  
 FRACTIONAL ± 1/32"  
 TWO PLACE DECIMAL ± .015"  
 THREE PLACE DECIMAL ± .005"  
 ALL BENDS ARE ASSUMED TO BE 90° UNLESS NOTED OTHERWISE.

	NAME	DATE
Drawn by	PC	05/20/2014
Revision / Date	E	
Revision		
Finish		



**300 Series 5 & 8 Inline Power Vent**

DWG. NO. **PVHIN58-300**

SCALE 1:12 | WEIGHT: | SHEET 2 OF 2

PROPRIETARY AND CONFIDENTIAL