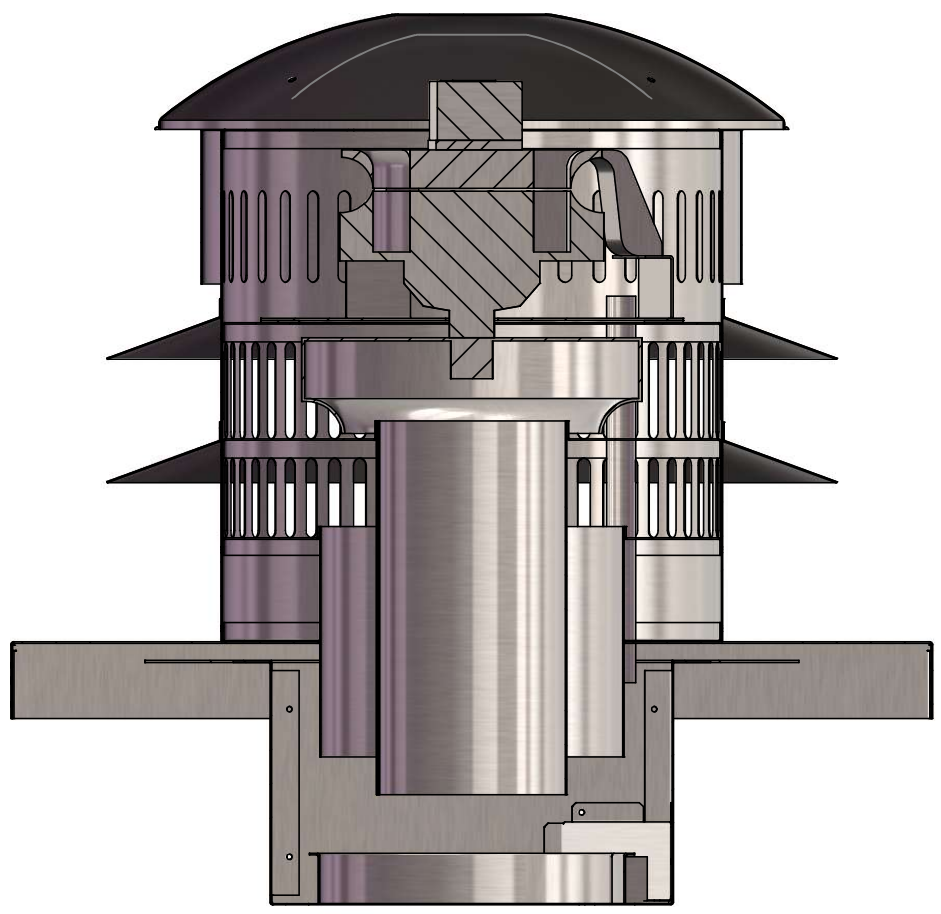
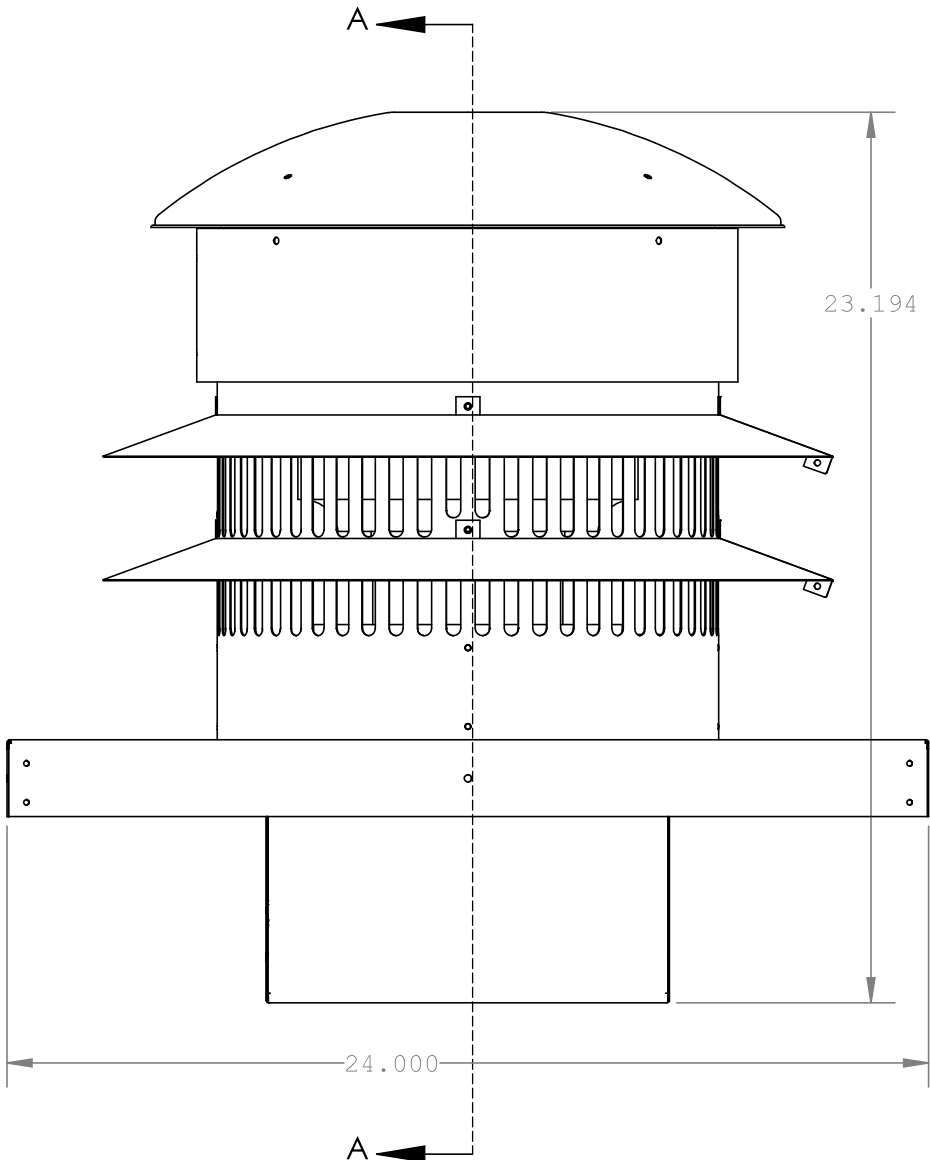


PROPRIETARY AND CONFIDENTIAL




SECTION A-A

REVISIONS			
REV.	DESCRIPTION	DATE	CHANGED BY
B	SEE IN1138, EXVPV017-20, EXVPV014-20, EDVR006-10, EDVR001-20, CU0363-20 AND CU0064-20.	02/28/2014	PC
C	SEE EXVPV007-20	04/24/2014	PC

DIMENSIONS ARE IN INCHES
 TOLERANCES:
 FRACTIONAL $\pm 1/32"$
 TWO PLACE DECIMAL $\pm .015"$
 THREE PLACE DECIMAL $\pm .005"$
 ALL BENDS ARE ASSUMED
 TO BE 90° UNLESS NOTED
 OTHERWISE.

	NAME	DATE
Drawn by	PC	11/28/2013
Revision / Date	C	
Revision		
Finish		



Exploded View

DWG. NO. **PVEX58-300**

MATERIAL

SCALE 1:5 WEIGHT: SHEET 2 OF 2

THE INFORMATION CONTAINED IN THIS DRAWING IS THE SOLE PROPERTY OF CANADIAN HEATING PRODUCTS. ANY REPRODUCTION IN PART OR AS A WHOLE WITHOUT THE WRITTEN PERMISSION OF CANADIAN HEATING PRODUCTS IS PROHIBITED.

Y:\Products\Residential Products\Ventilation Systems\Vertical Power Vents\PVEX58-300\PVEX58-300 August-08-14 2:06:37 PM