



VENTING SPECIFICATIONS PRIMER

TABLE OF CONTENTS

INTRODUCTION.....	1
CONNECTION AND INSTALLATION GUIDELINES.....	2
TYPICAL INSTALLATION.....	3
RIGID VENTING.....	4
FLEX VENTING.....	5
4/7" COMPONENTS.....	6
5/8" COMPONENTS.....	10
5/10" COMPONENTS.....	14
REDUCERS.....	18
TERMINATIONS.....	20
SNORKELS.....	23
NOTES.....	25

INTRODUCTION

Meticulously engineered to complement our line of award winning fireplaces, Montigo rigid and flexible direct venting offers superior performance, proven durability and an ease of installation unparalleled in the hearth industry.

LISTINGS

Montigo venting is tested as a component of the complete fireplace system. See the fireplace manual for the respective ANSI/CSA testing standard.

CLEARANCES

Refer to your Montigo fireplace manual for specific clearance requirements.

CONSTRUCTION

Rigid- Exterior 26 gauge galvanized steel, inner 30 gauge galvanized steel

Flex- 10 gauge aluminum

DIAMETERS

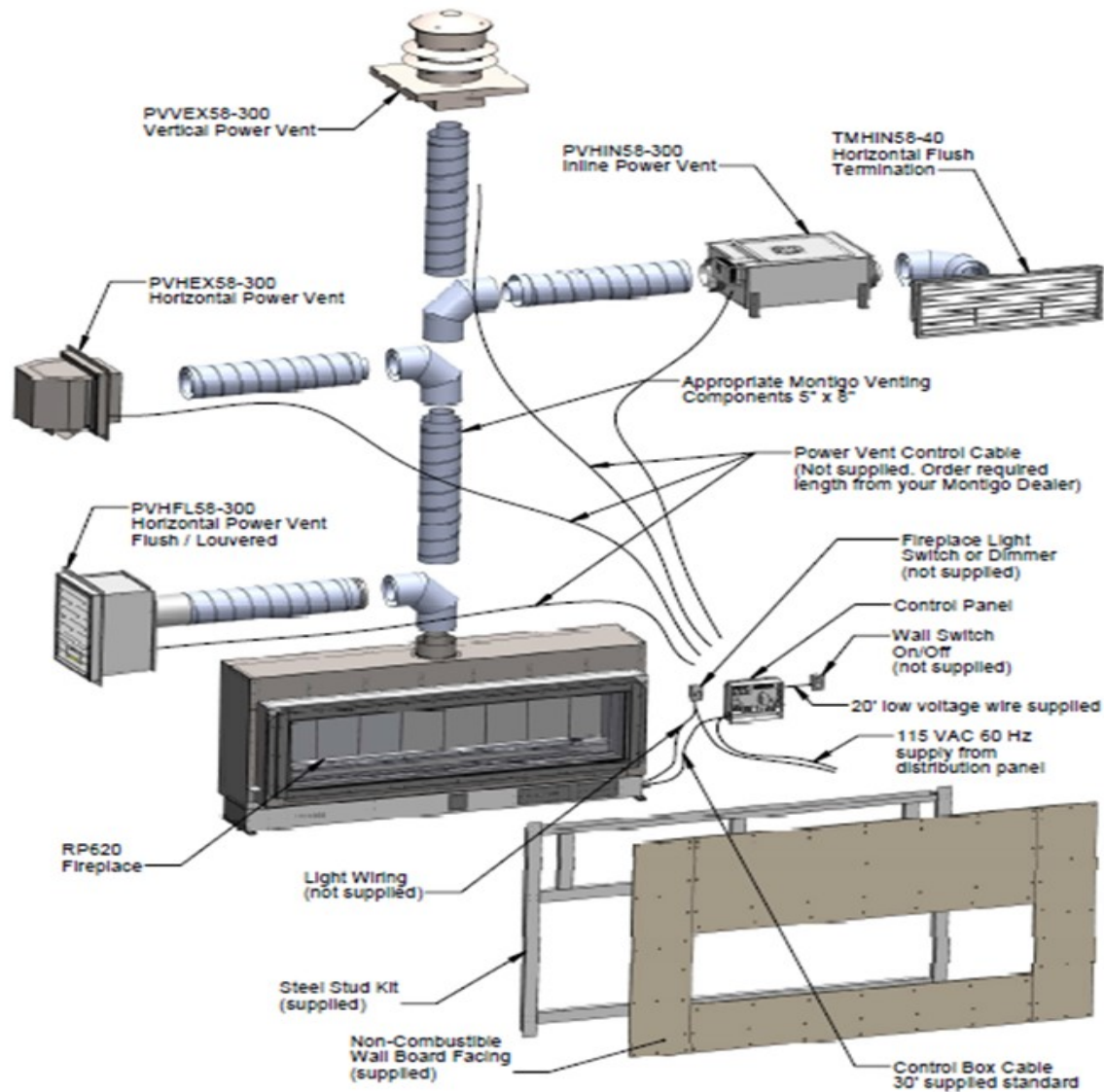
Both rigid and flexible lengths are available in three (3) diameters: 4”/7” (inner, outer), 5”/8” (inner, outer) and 5”/10” (inner/outer). The lengths (and most components) are referred to as follows:

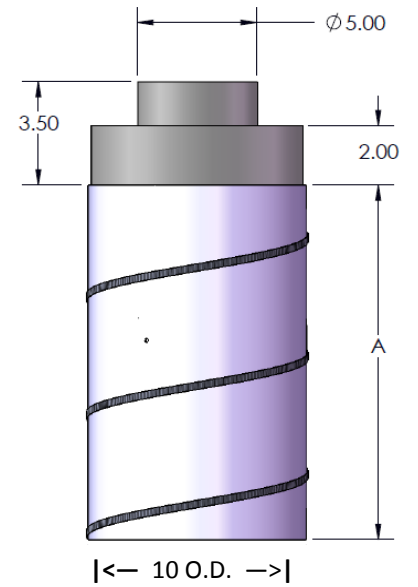
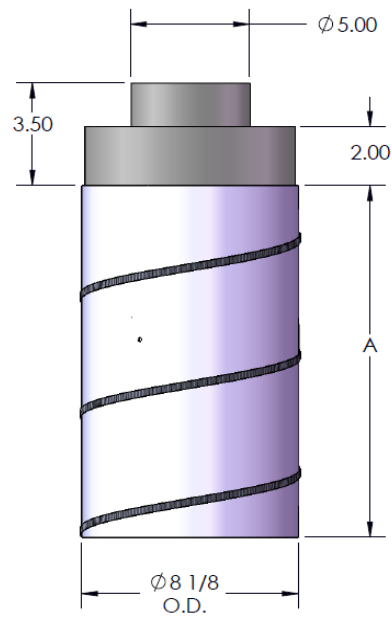
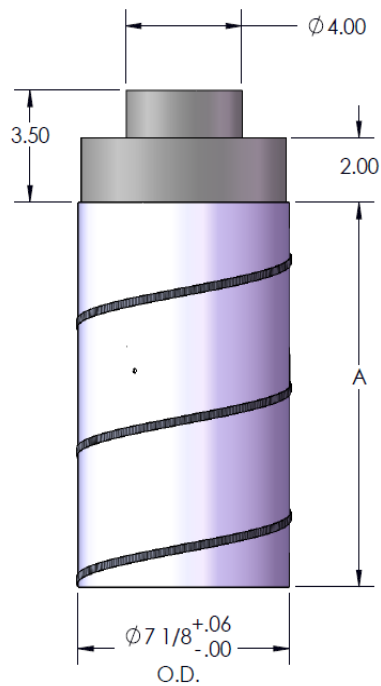
	4/7	5/8	5/10
Rigid	MEXT*	PEXT*	REXT*
Flex	MFL*	PFL*	RFL*

CONNECTION AND INSTALLATION GUIDELINES

- Use any combination of rigid and flex pipe as required and in any orientation
- Flex sections may be stretched up to 50% of their total length (e.g. a 24" section can be stretched to 36").
- Connect all vent sections using a minimum of three sheet metal screws on the outer flue
- Ensure the pipe ends male to female slide in a minimum of 1 1/2" overlap
- Ensure all horizontal runs are supported with a minimum of 3 supports per 10 feet of venting
- When hanging/supporting venting, ensure that 1" clearance is maintained on sides and bottom of vent runs and 2" above horizontal vent runs to any combustible material
- Rigid pipe may be cut less than half way from the **FEMALE END ONLY**
- Ensure when cutting sections of rigid pipe to maintain integrity of the internal supports
- Flex pipe **CANNOT** be cut
- Place the springs, supplied with the pipe kit (flex only), between the outer and inner pipes to keep the pipes separate and avoid any possible hot spots
- Montigo recommends the use of a flex section for the first section of venting connected directly to the fireplace, offering greater flexibility of installation and absorption of movement
- Firestops must be installed as required by National and local codes
- Montigo recommends that all exterior corners and joints be sealed with exterior caulking. However, we encourage you to consult your Building Envelope Engineer or Waterproofing consultant for further recommendations.

TYPICAL INSTALLATION

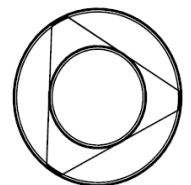
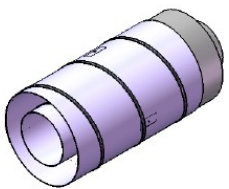


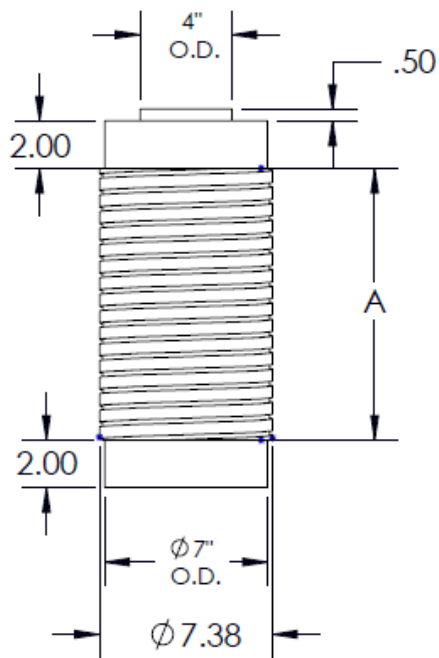


CODE	"A" Dimension (inch)	Connection
MEXT1	12	F/M
MEXT2	24	F/M
MEXT3	36	F/M
MEXT4	48	F/M
MEXT6	72	F/M

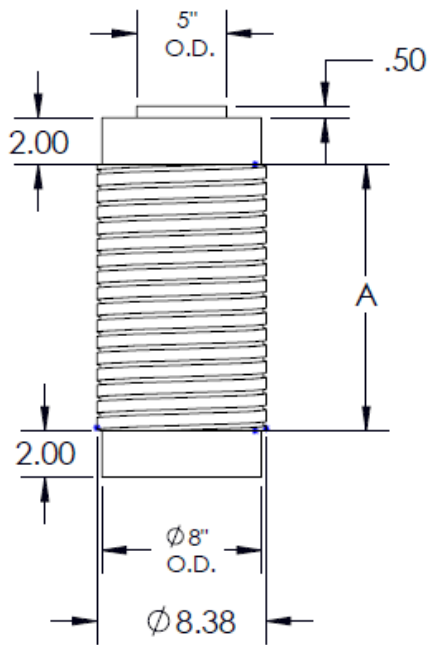
CODE	"A" Dimension (inch)	Connection
PEXT1	12	F/M
PEXT2	24	F/M
PEXT3	36	F/M
PEXT4	48	F/M
PEXT6	72	F/M

CODE	"A" Dimension (inch)	Connection
REXT1	12	F/M
REXT2	24	F/M
REXT3	36	F/M
REXT4	48	F/M
REXT6	72	F/M

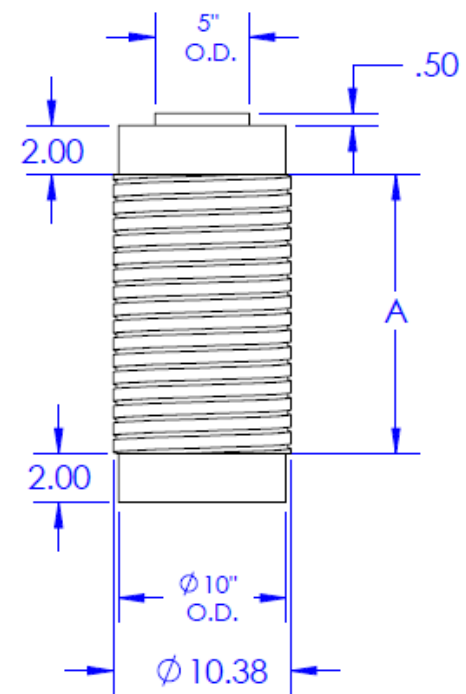




CODE	"A" Dimension (inch) NOT EXTENDED
MFL1	12"
MFL18	18"
MFL2	24"
MFL3	36"
MFL4	48"
MFL5	60"
MFL6	72"

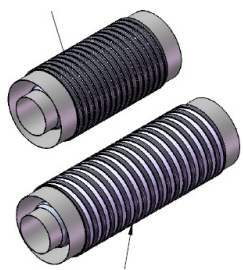


CODE	"A" Dimension (inch) NOT EXTENDED
PFL1	12"
PFL18	18"
PFL2	24"
PFL3	36"
PFL4	48"
PFL5	60"
PFL6	72"



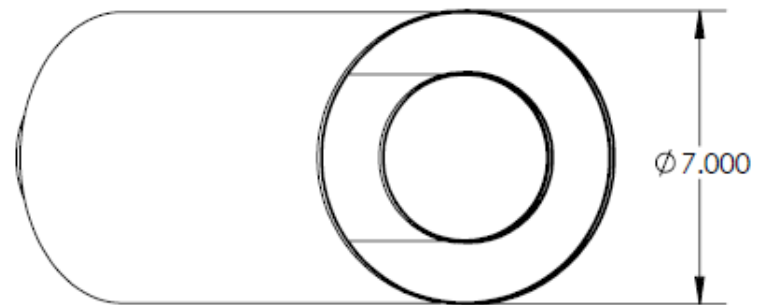
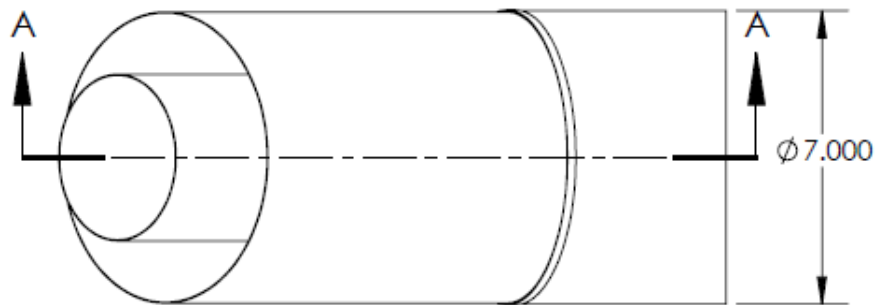
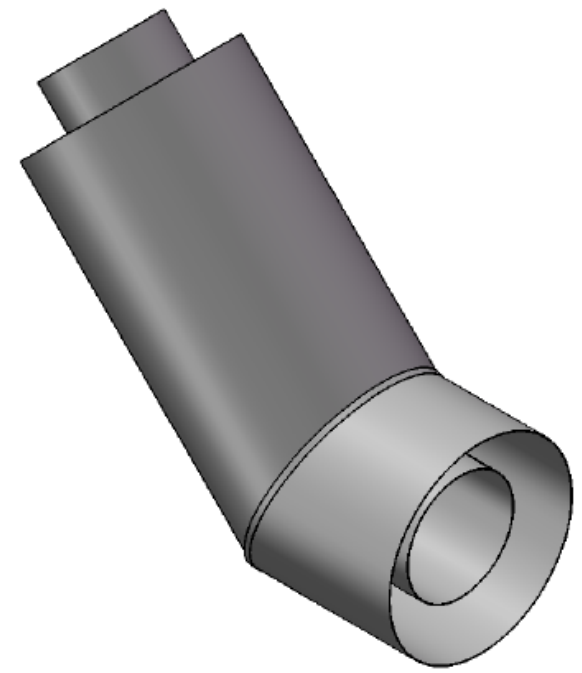
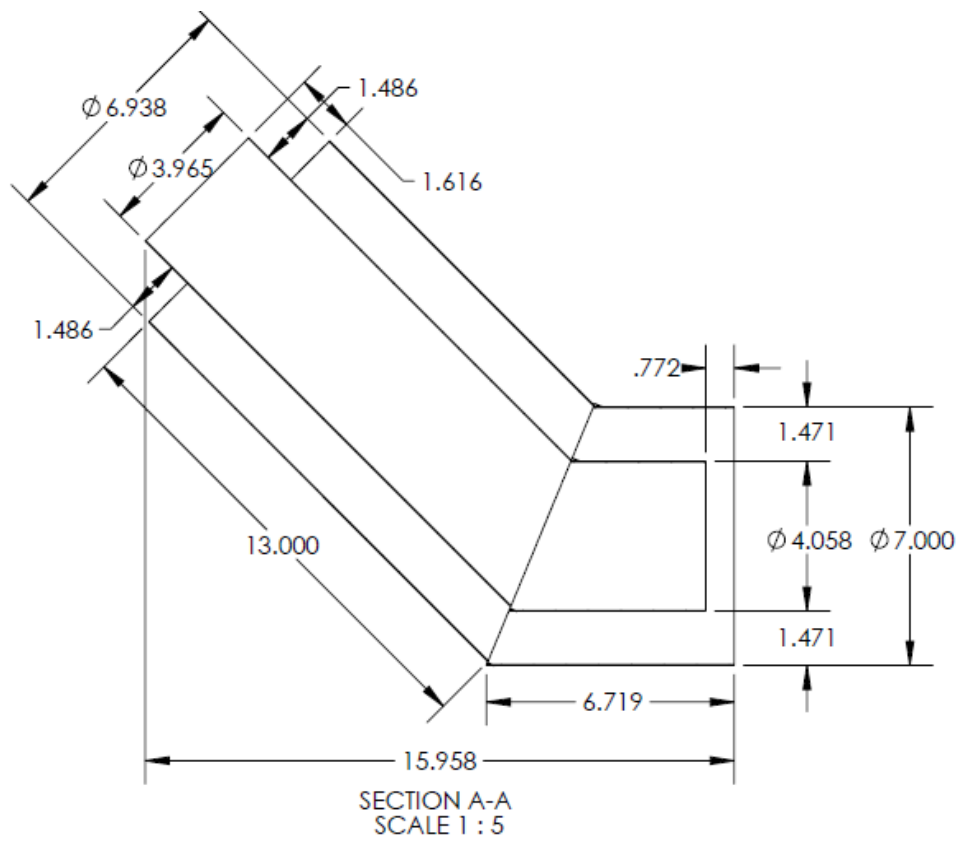
CODE	"A" Dimension (inch) NOT EXTENDED
RFL-1	12"
RFL-2	24"
RFL-3	36"
RFL-4	48"
RFL-6	72"

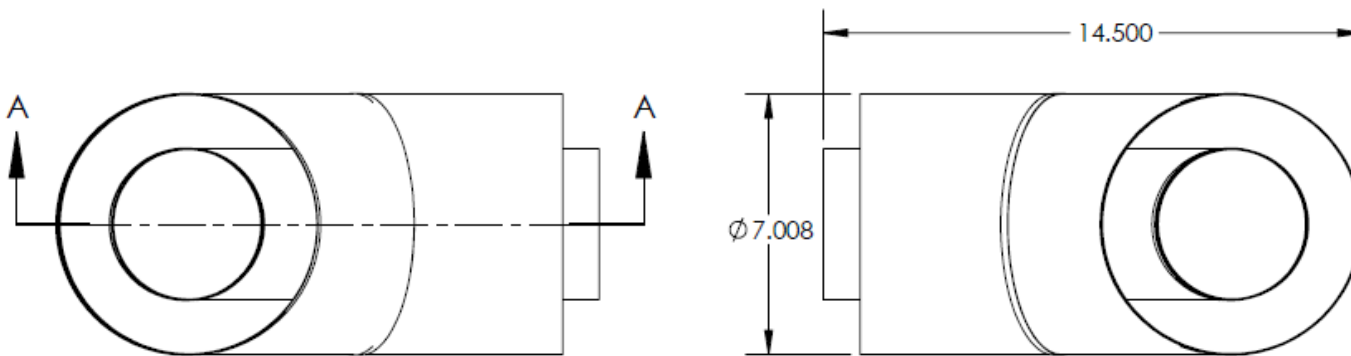
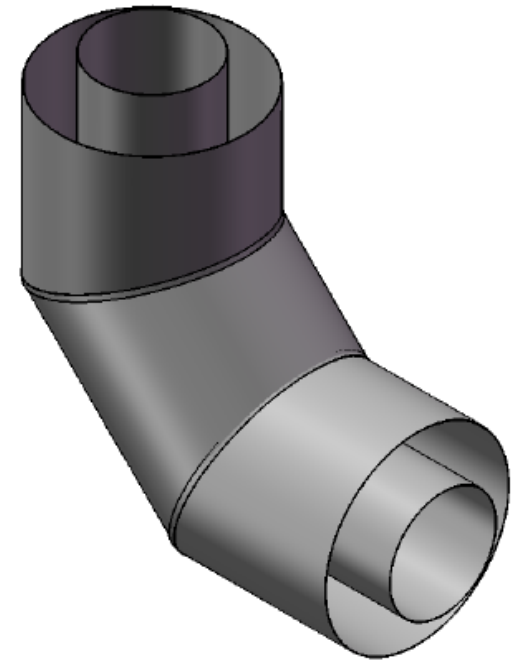
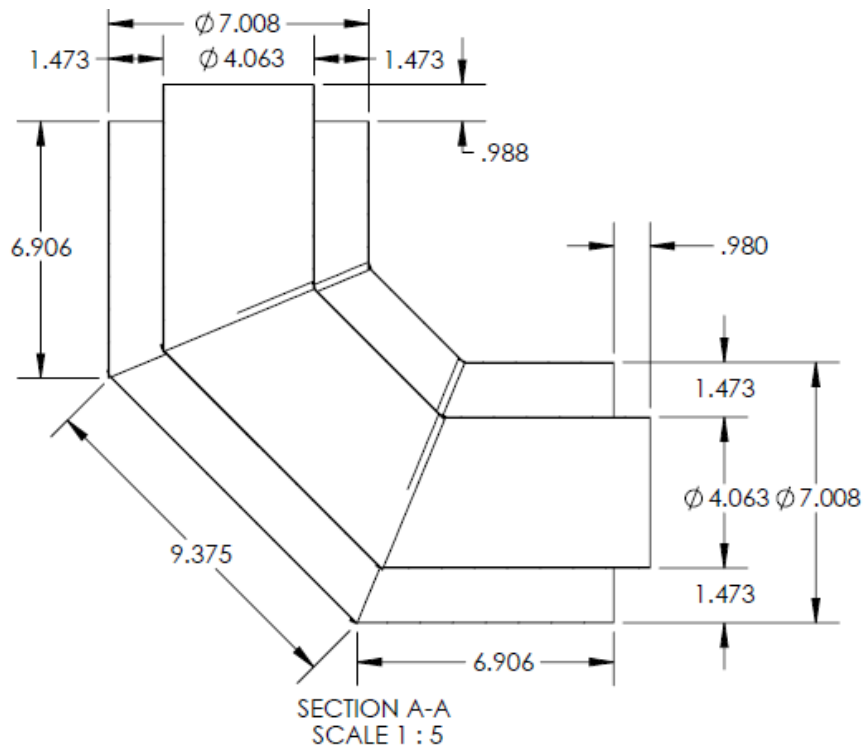
NOT EXTENDED.



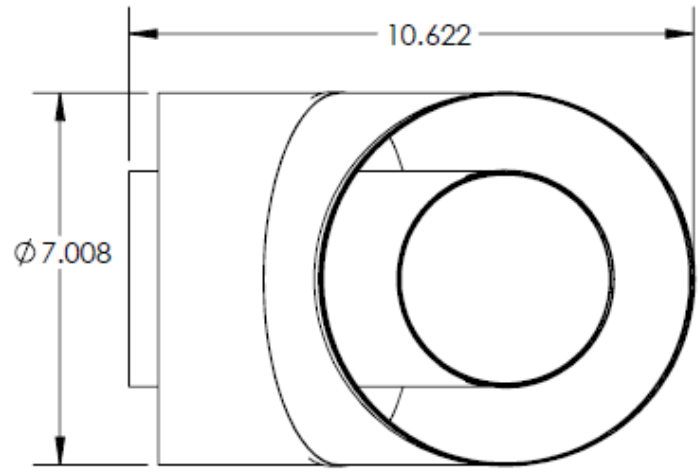
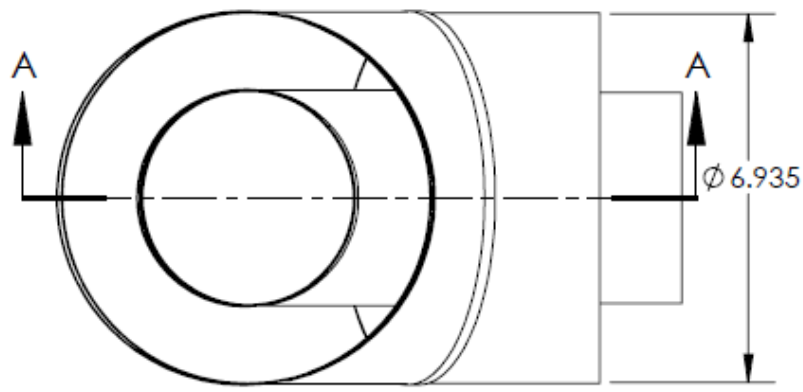
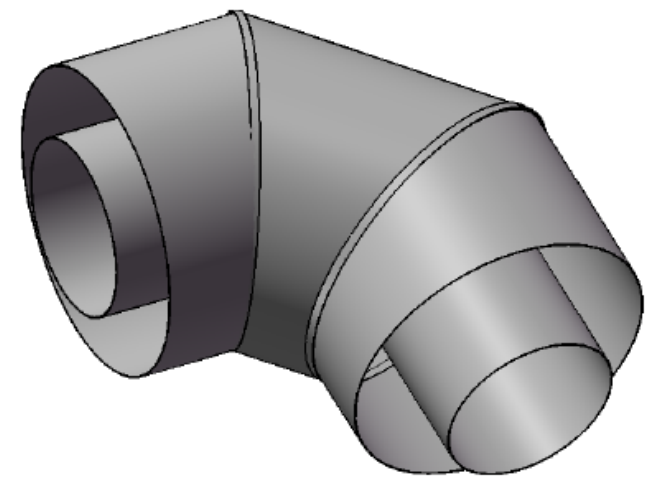
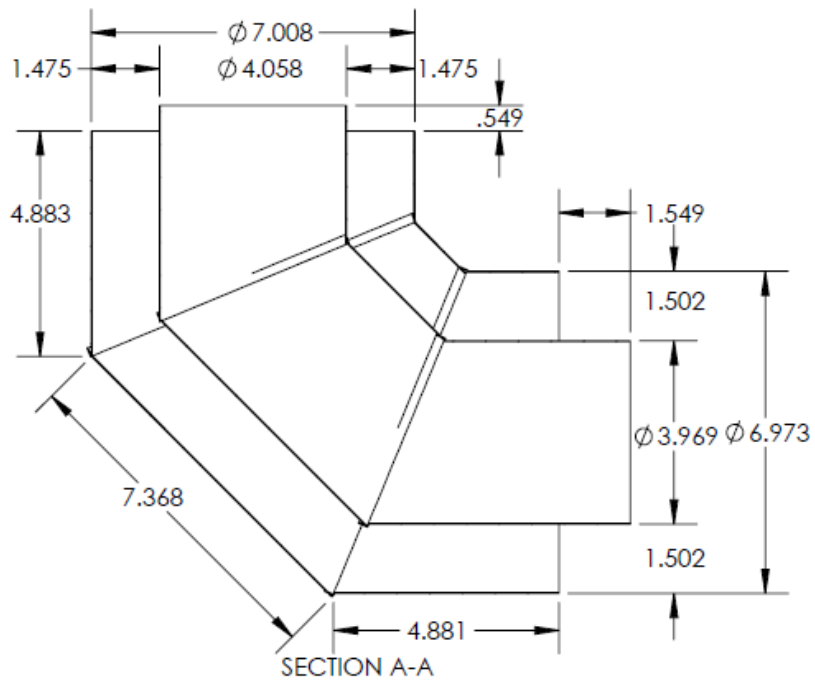
EXTENDED

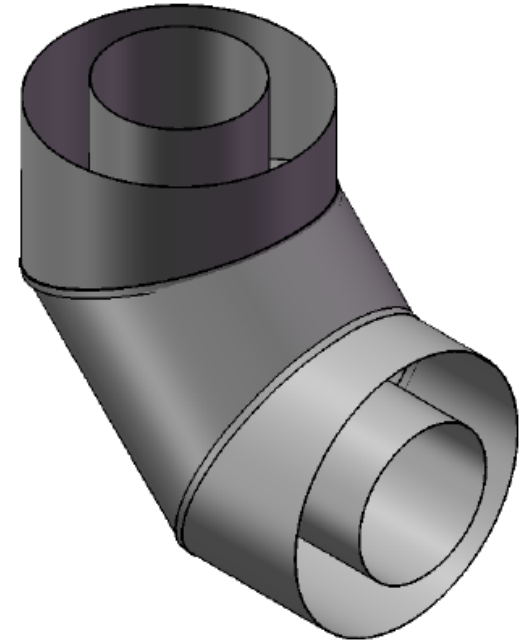
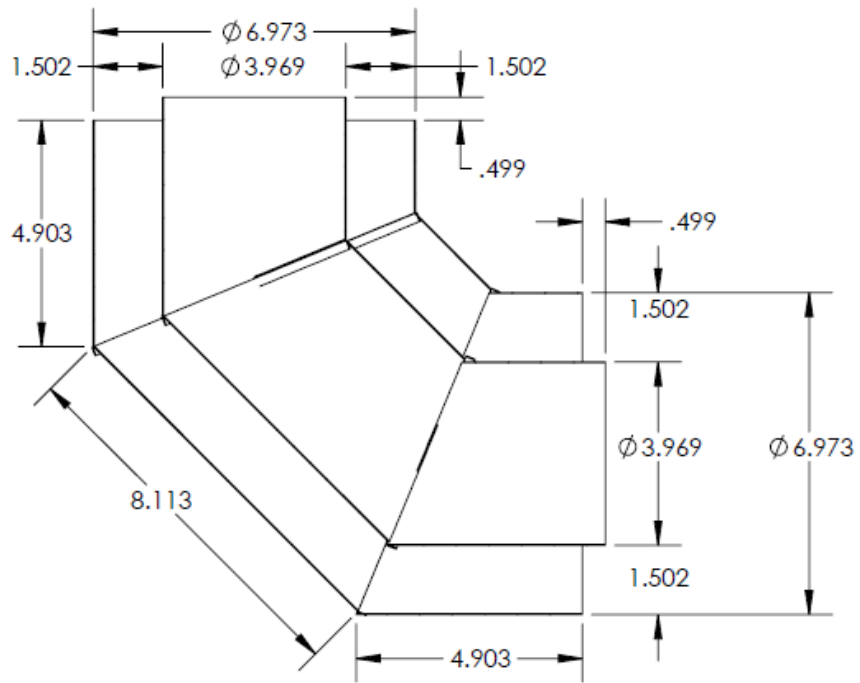




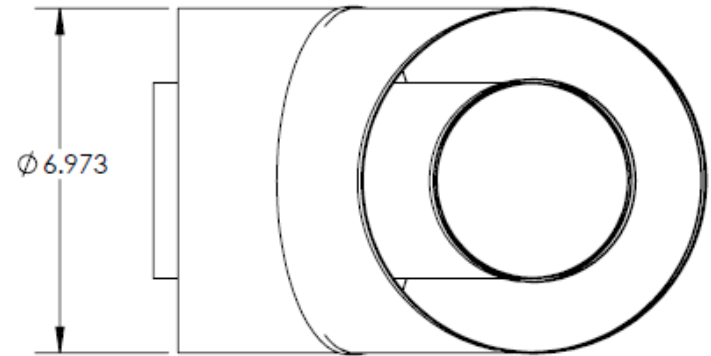
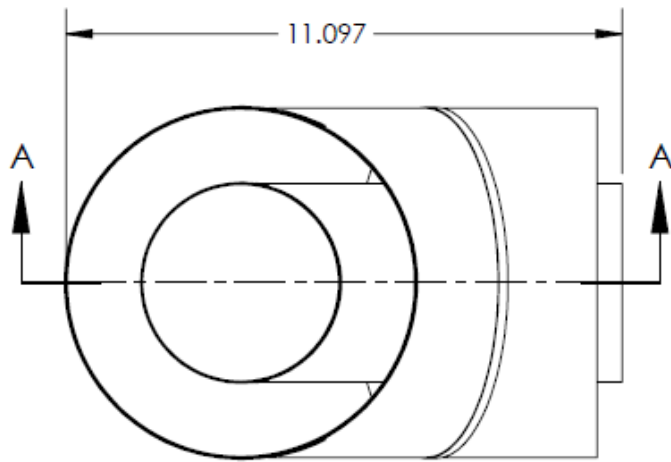


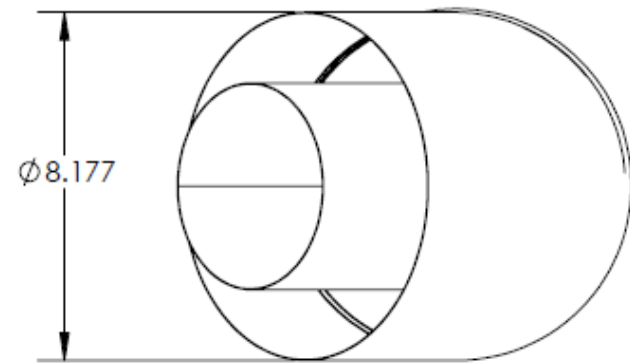
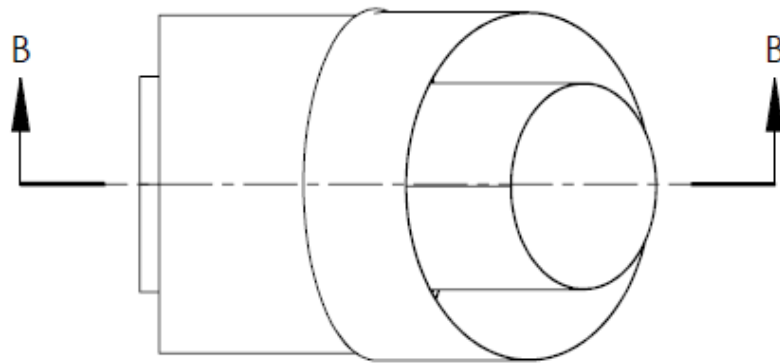
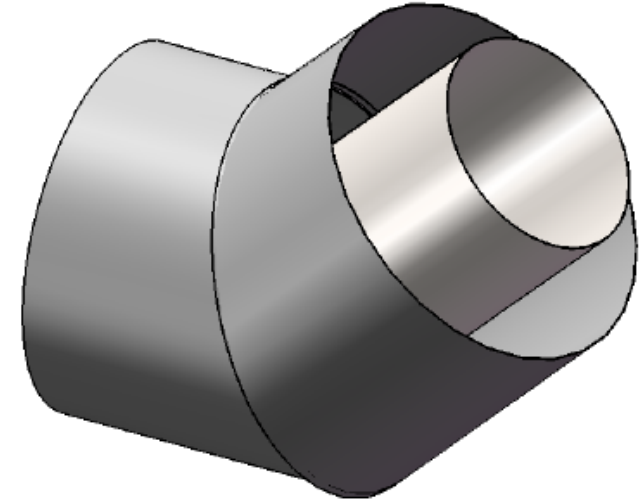
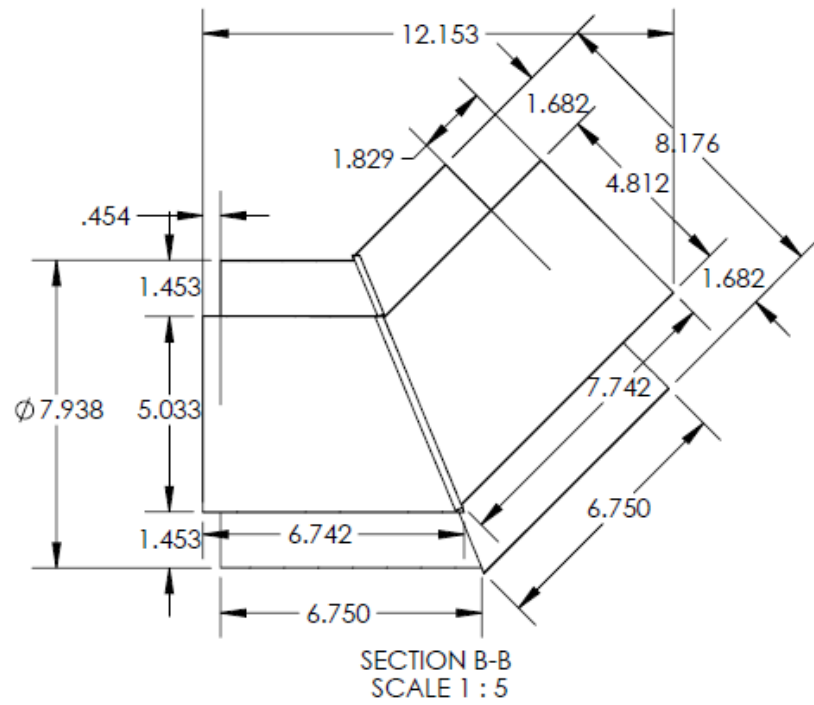
MEL90 FEMALE/FEMALE

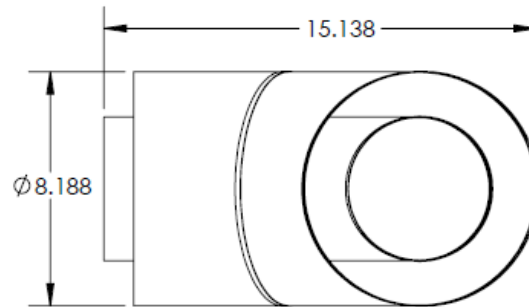
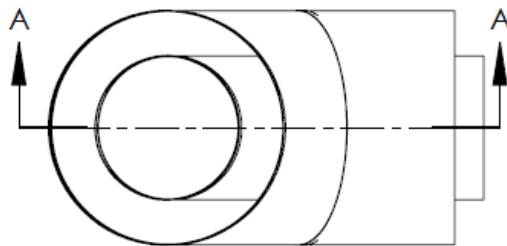
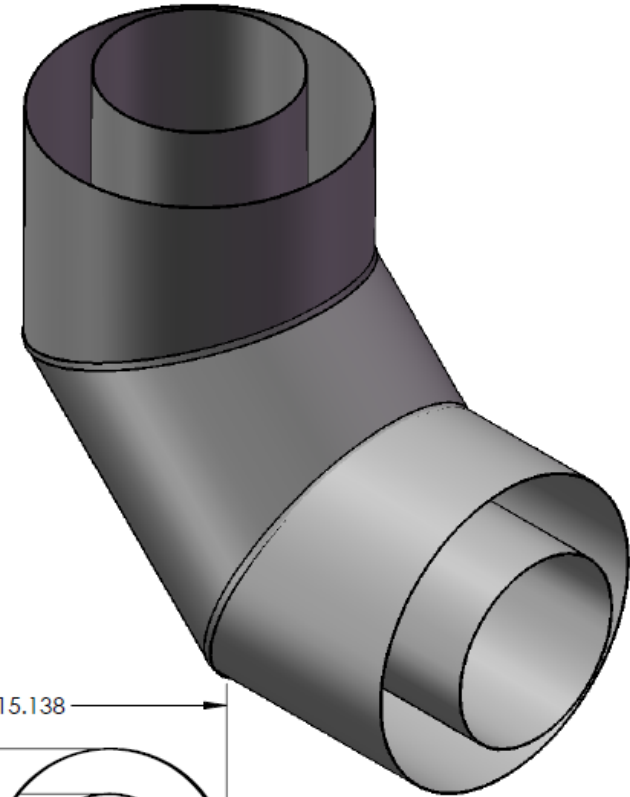
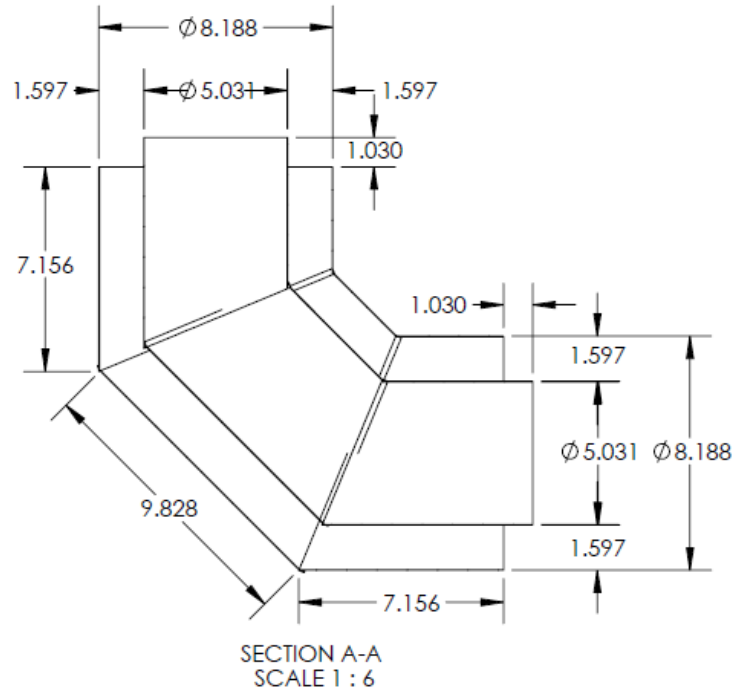


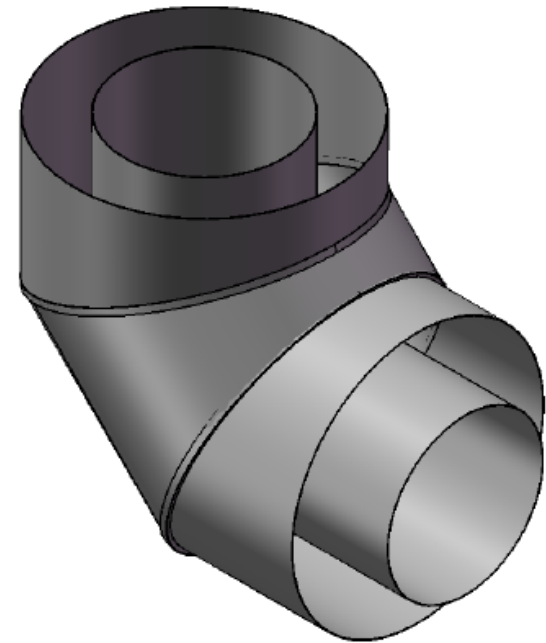
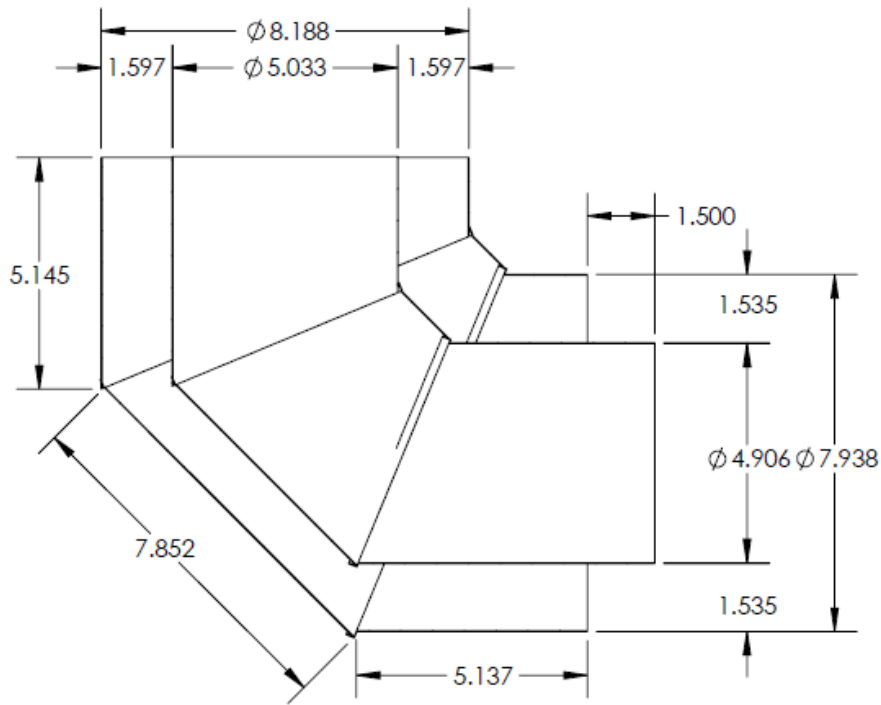


SECTION A-A

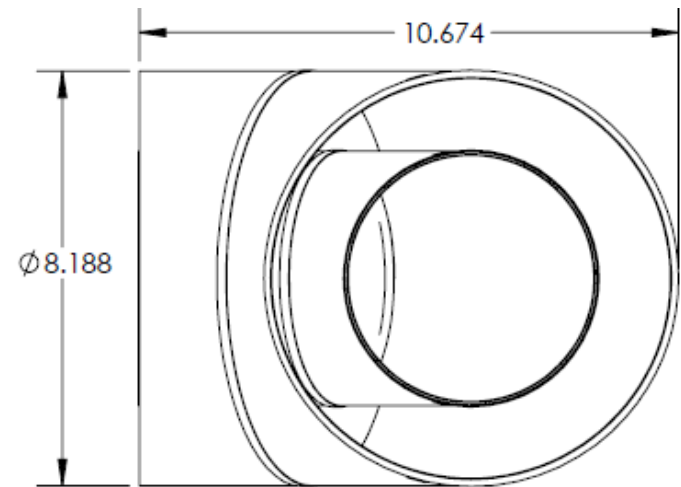
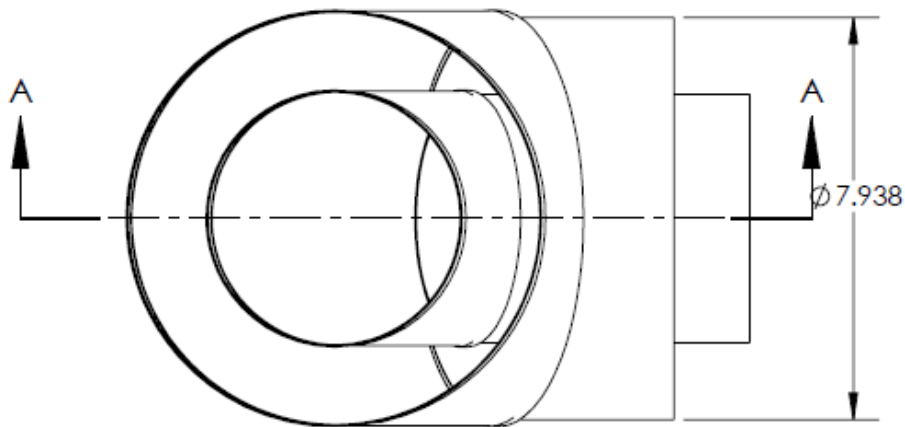




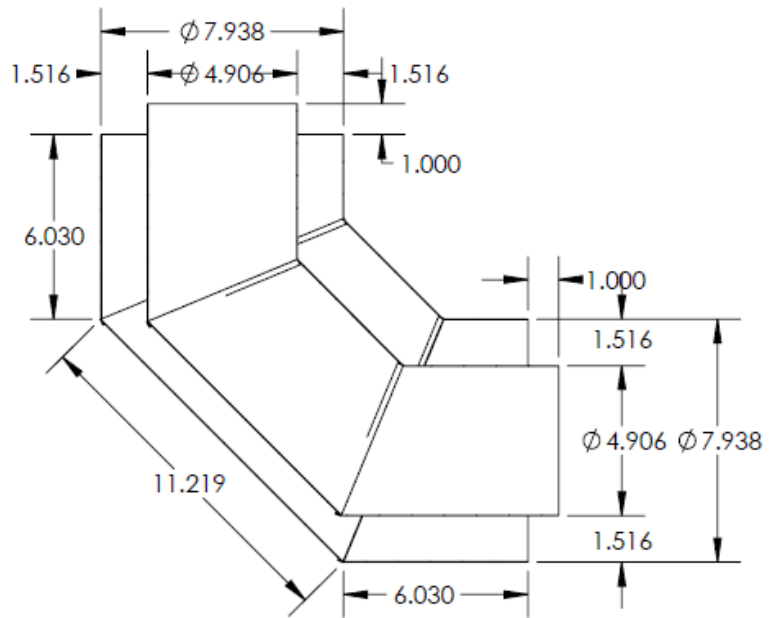




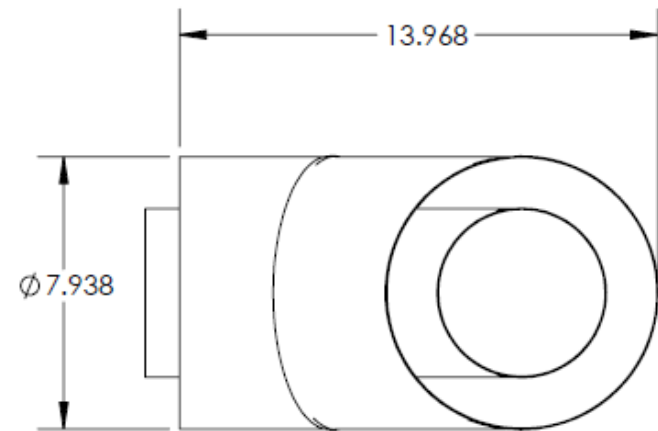
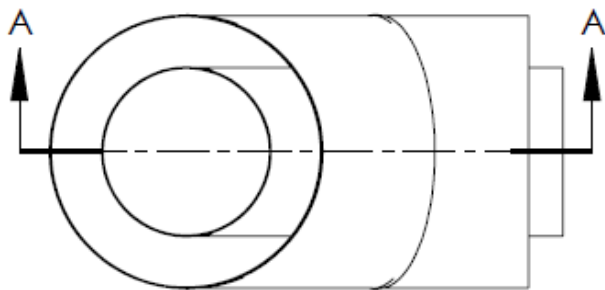
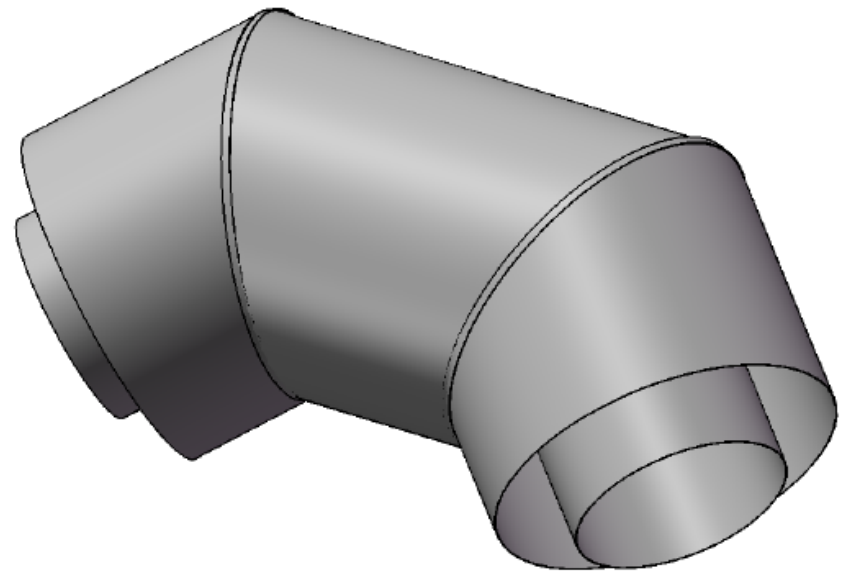
SECTION A-A

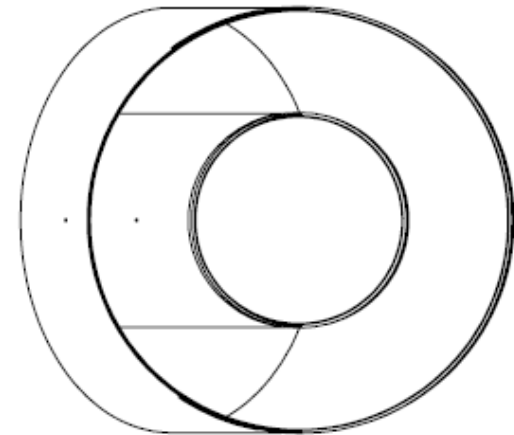
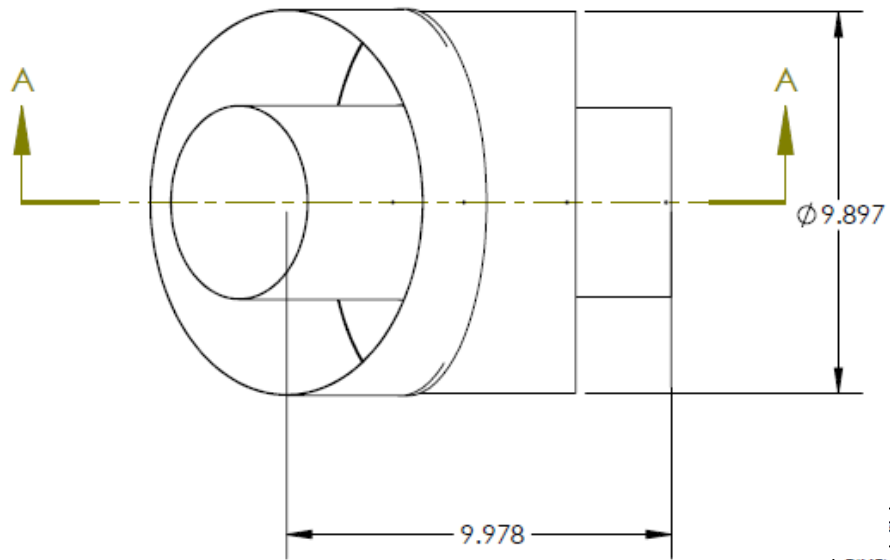
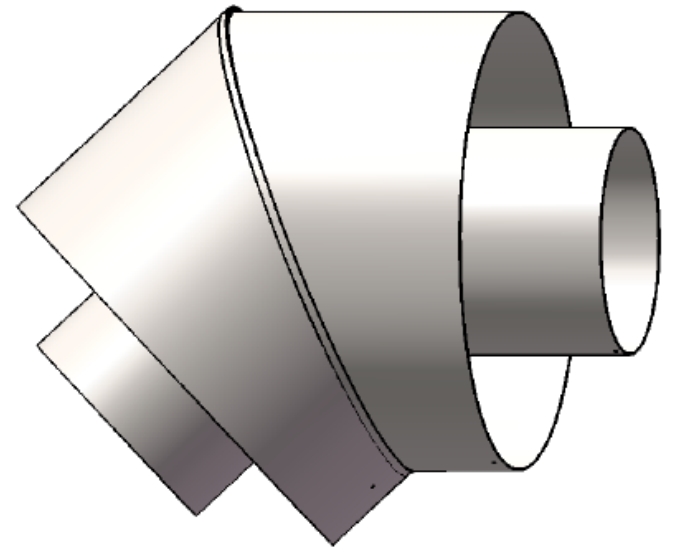
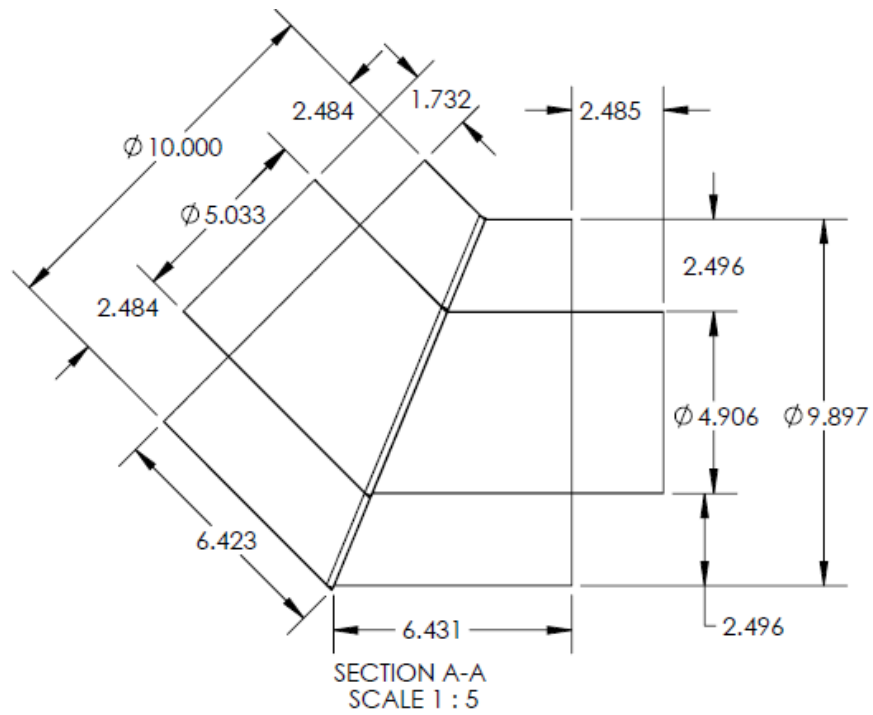


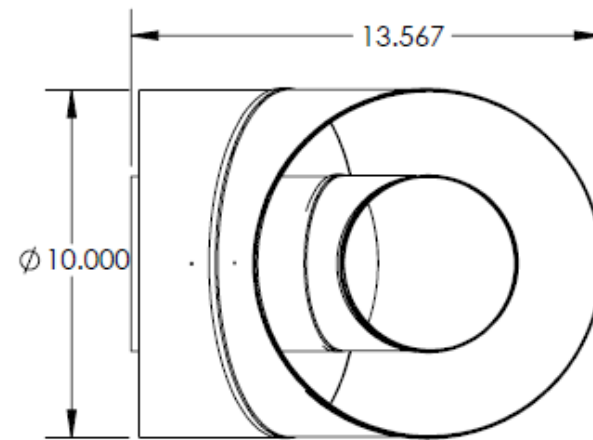
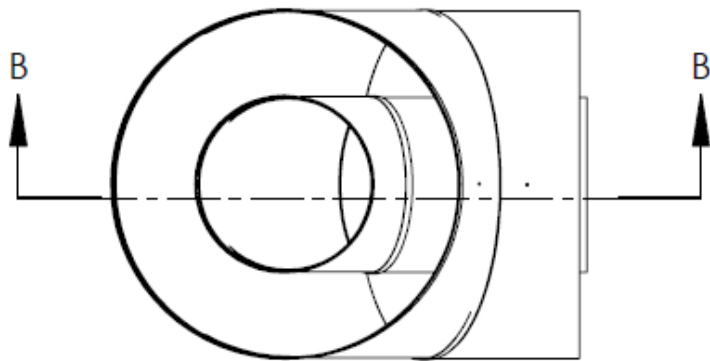
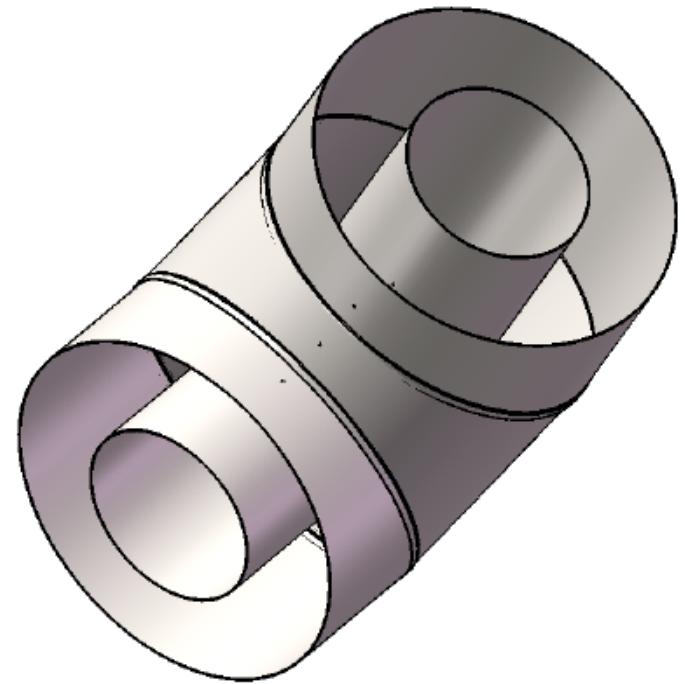
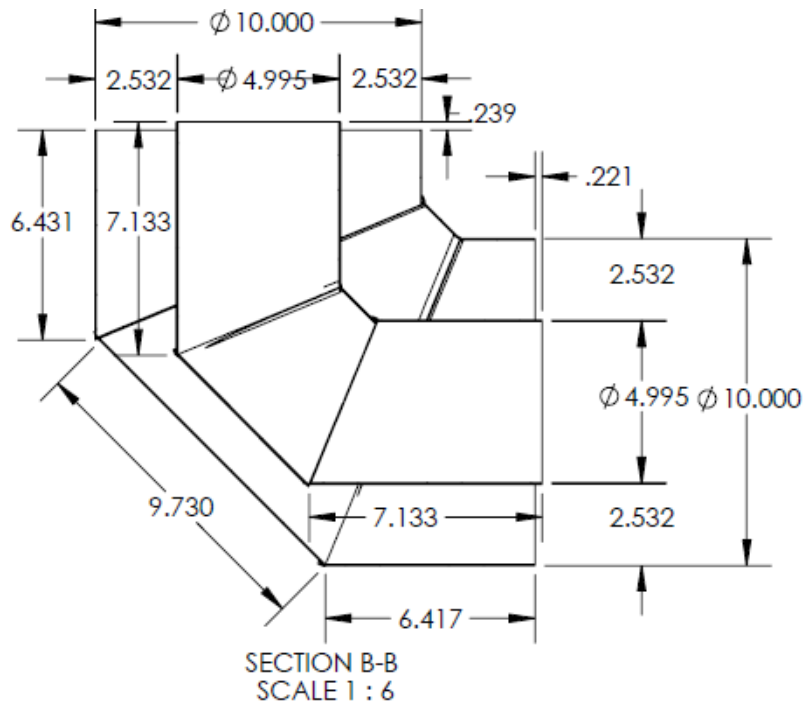
PEL90 FEMALE/MALE

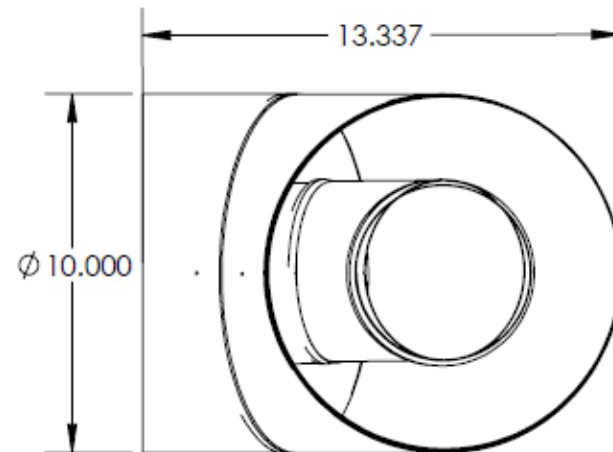
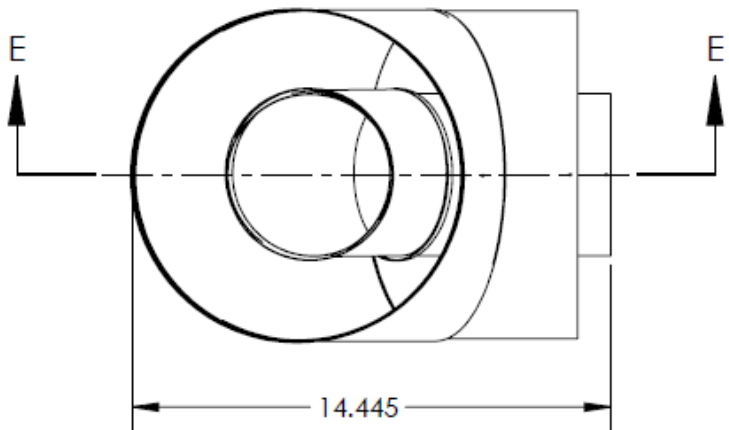
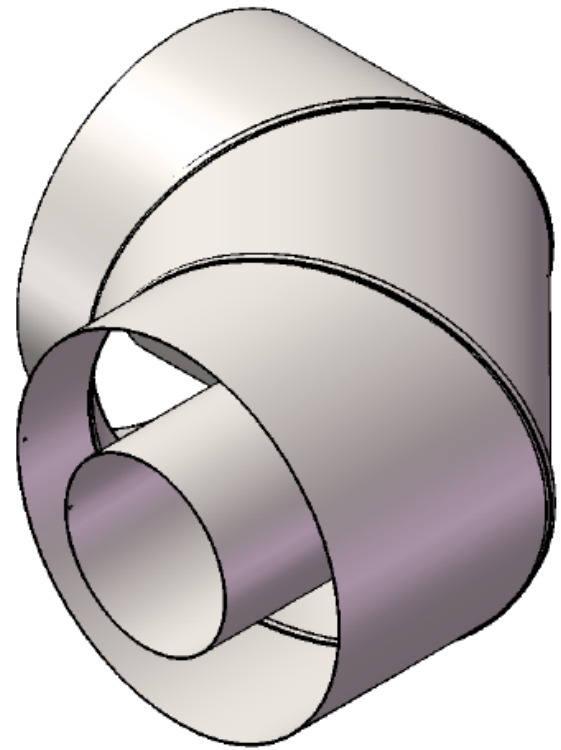
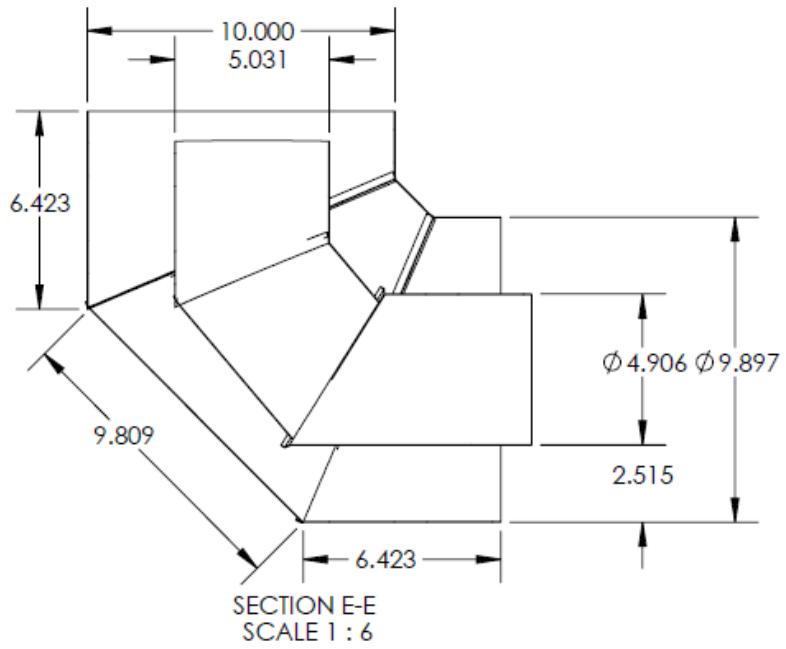


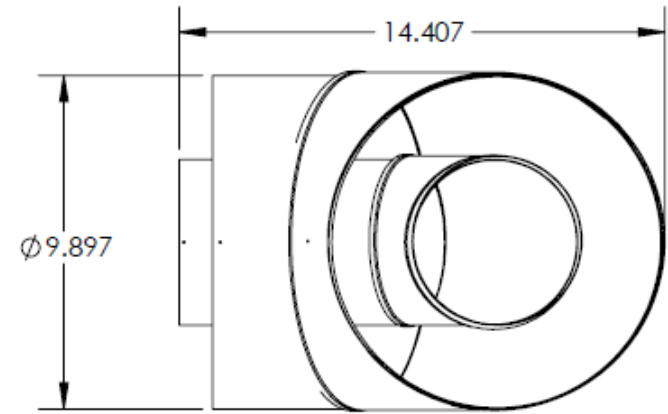
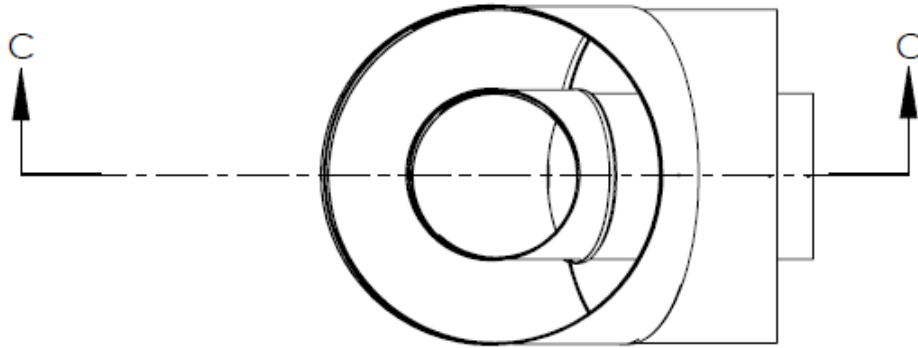
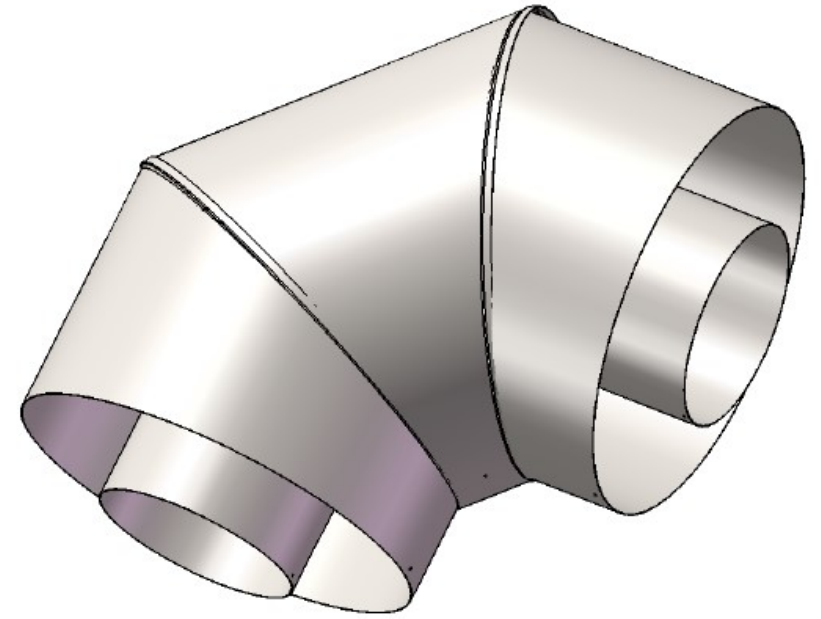
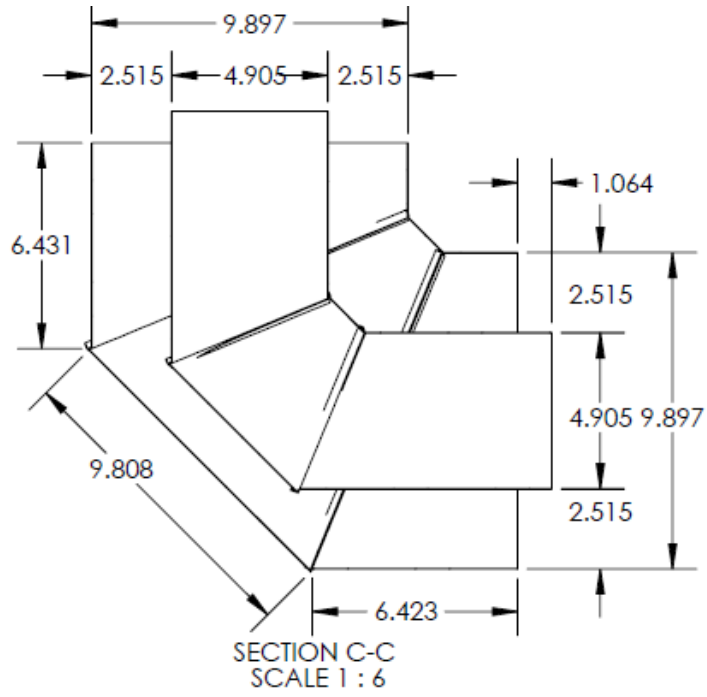
SECTION A-A
SCALE 1 : 6

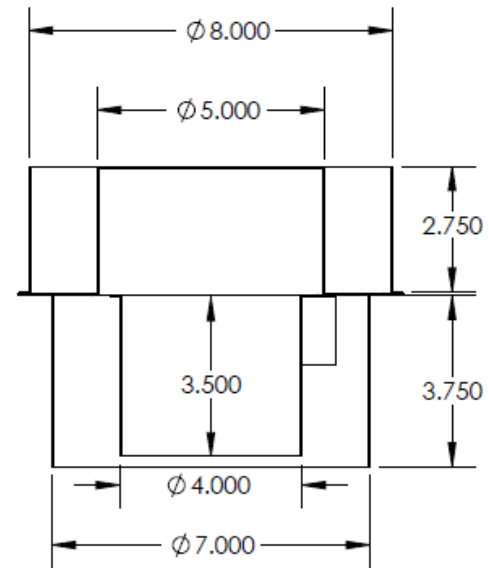
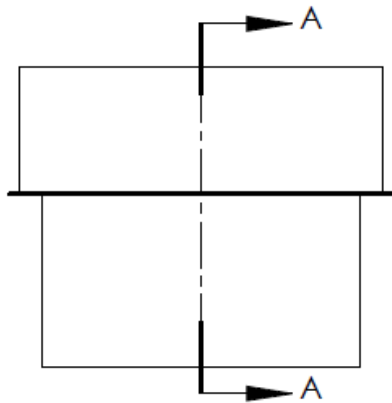
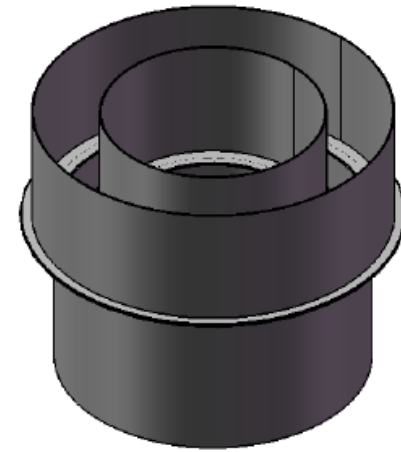
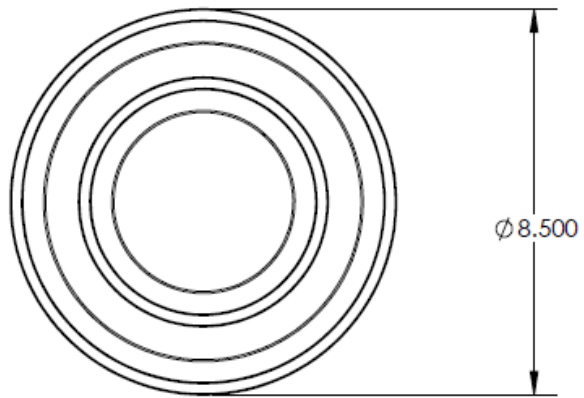






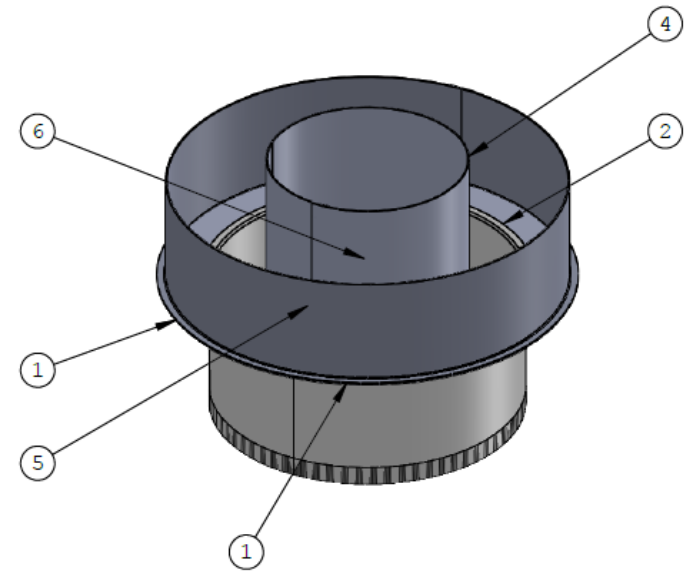
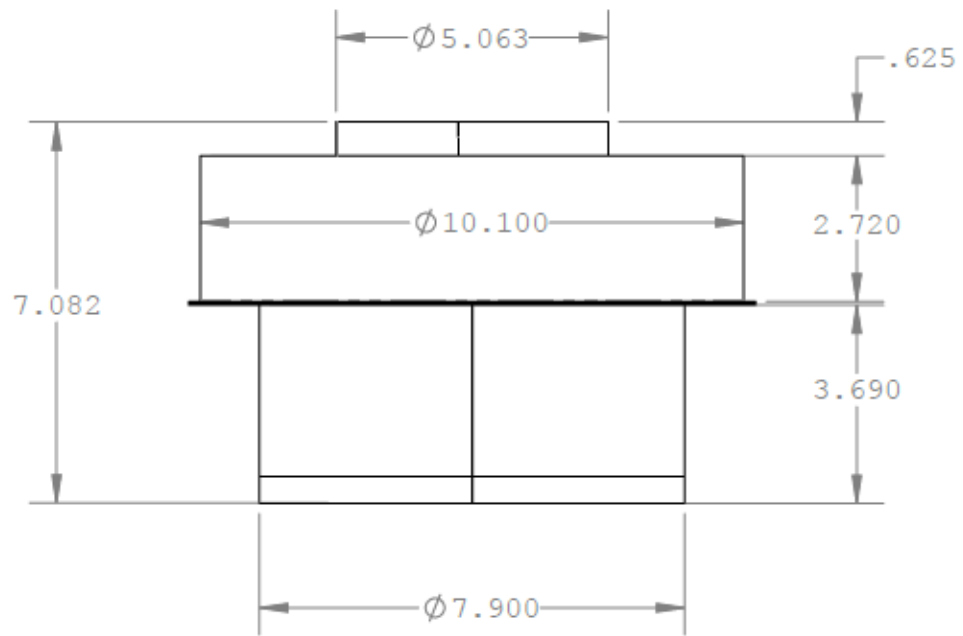






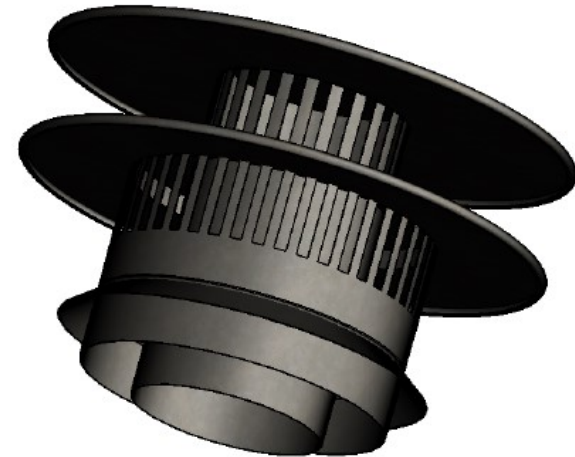
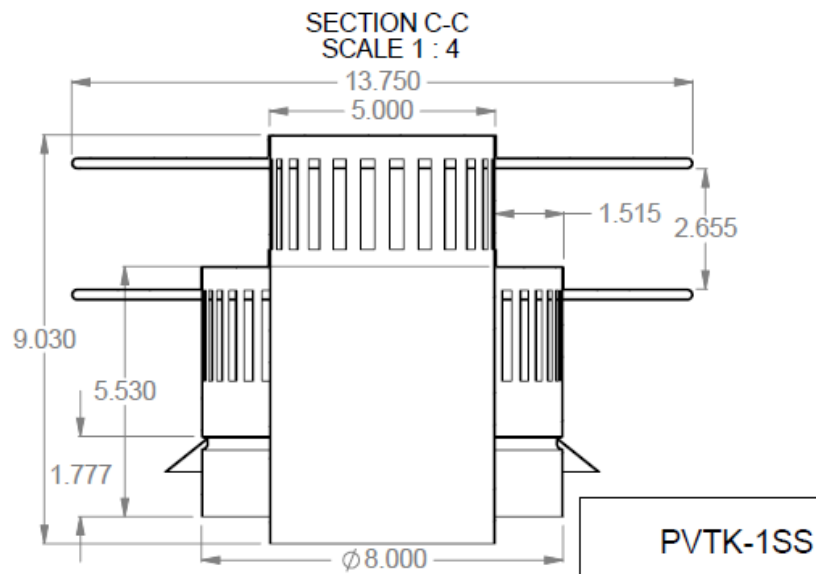
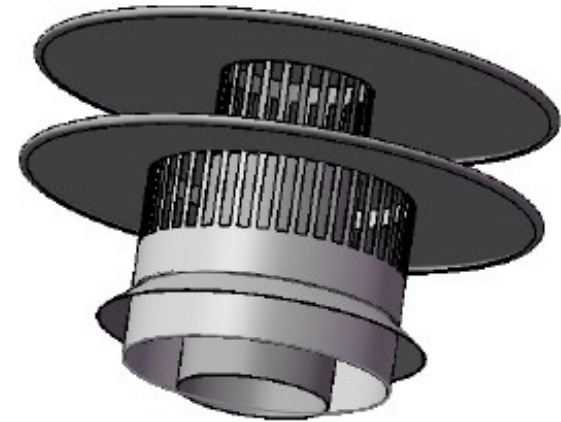
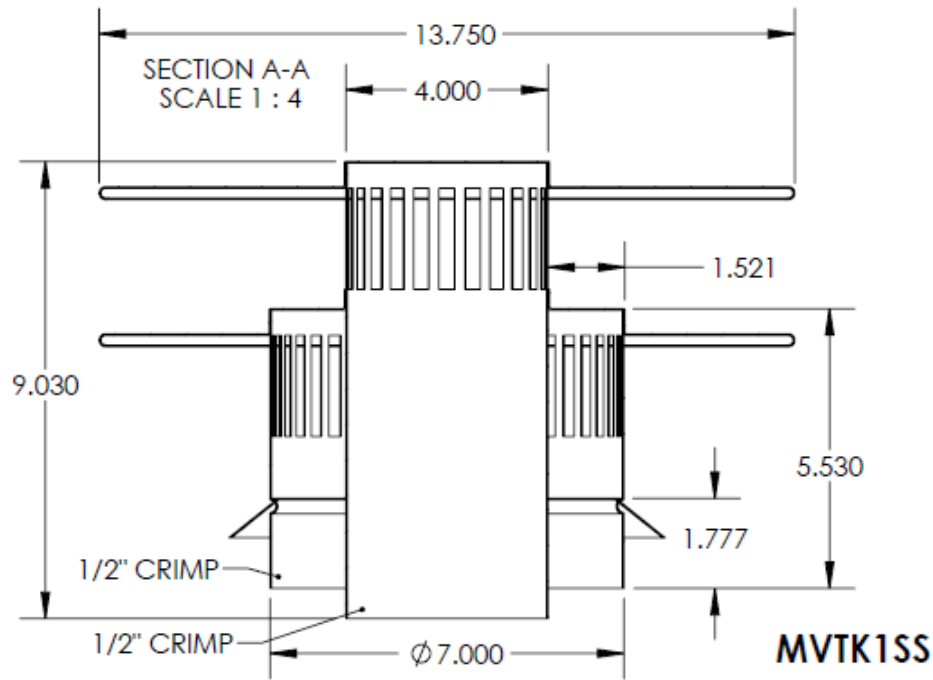
**VERTICAL VENT
REDUCER 5" & 8" TO
4" & 7"**

PVA5487

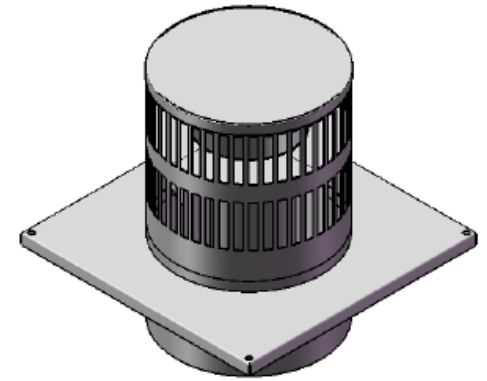
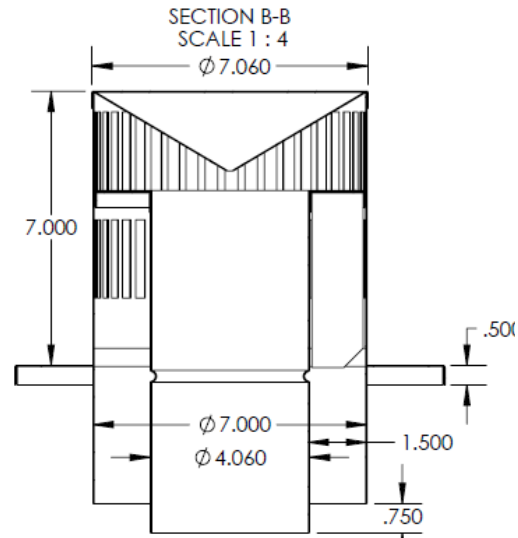
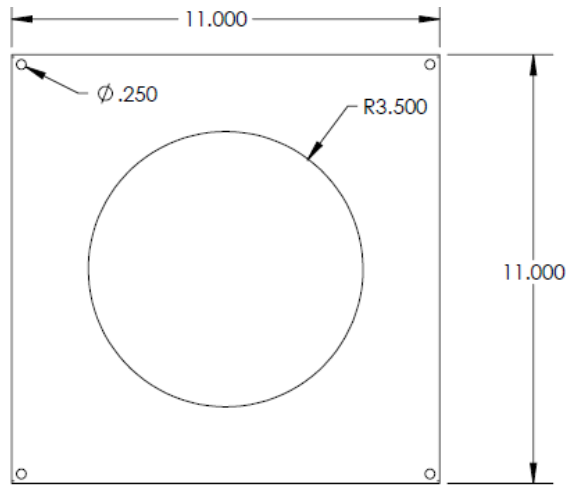


Vent Reducer 5"&10" to 5"&8"

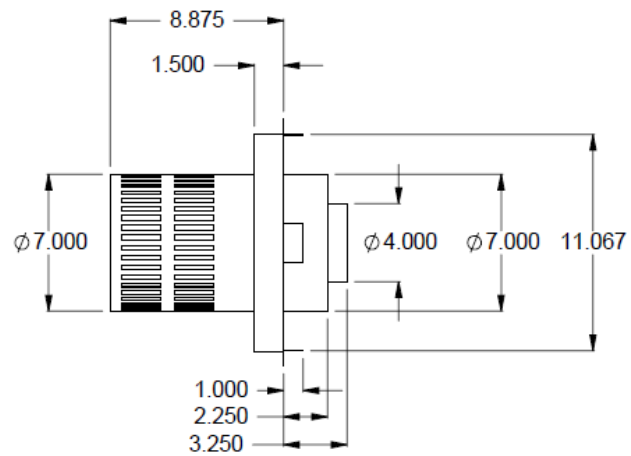
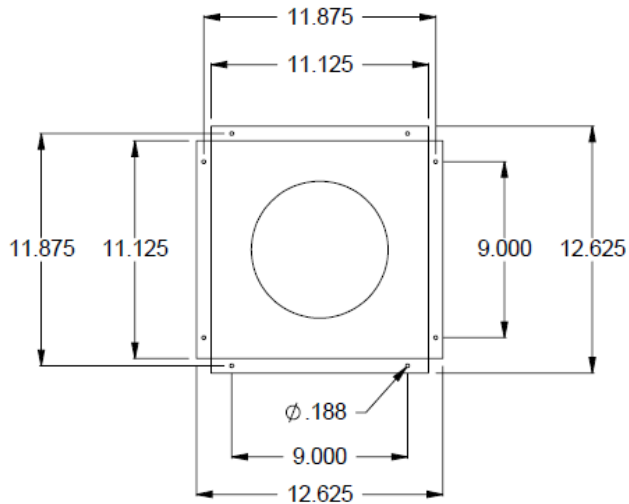
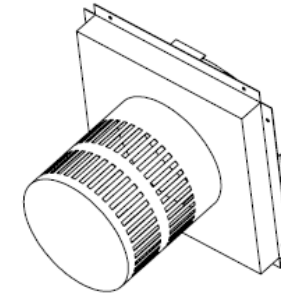
RVA51058



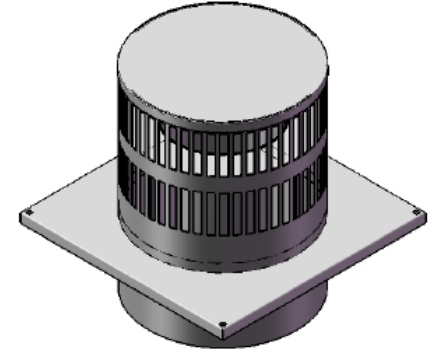
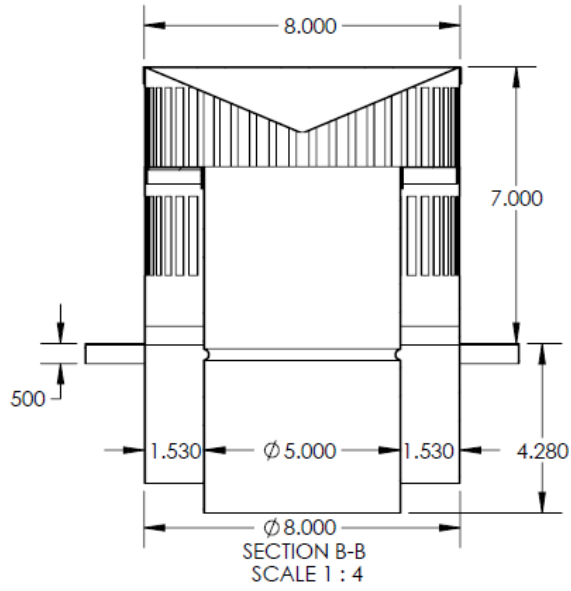
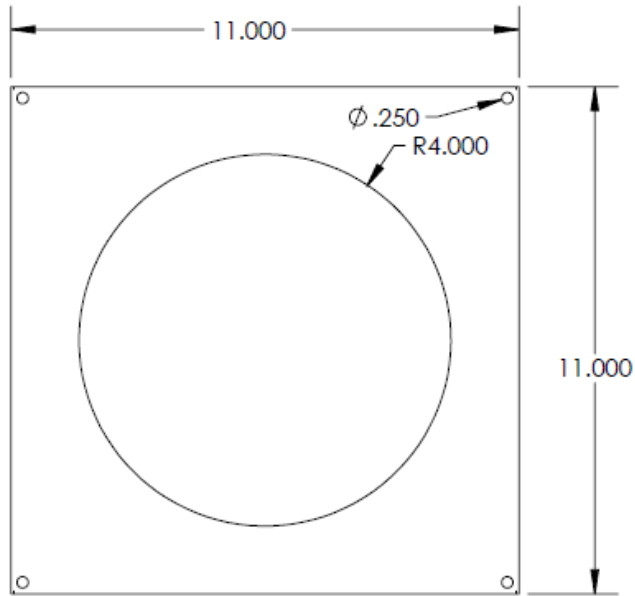
MTO4



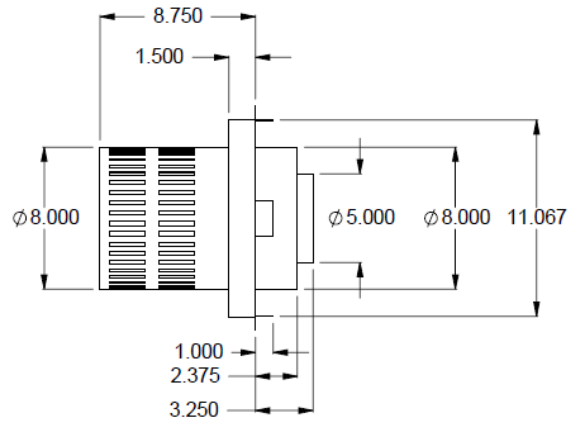
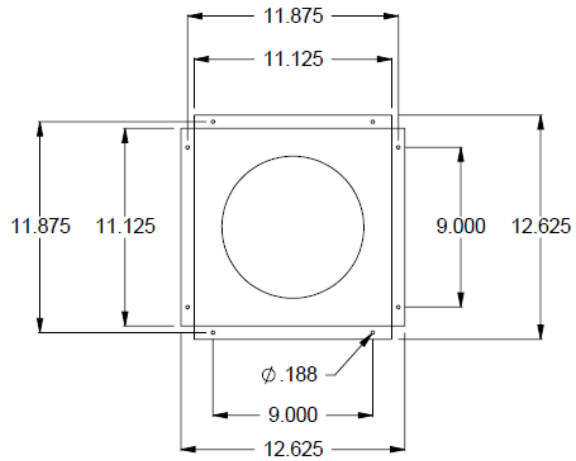
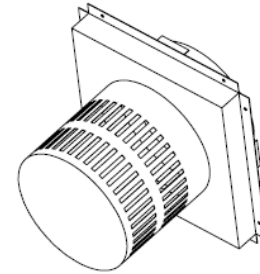
MTO4F

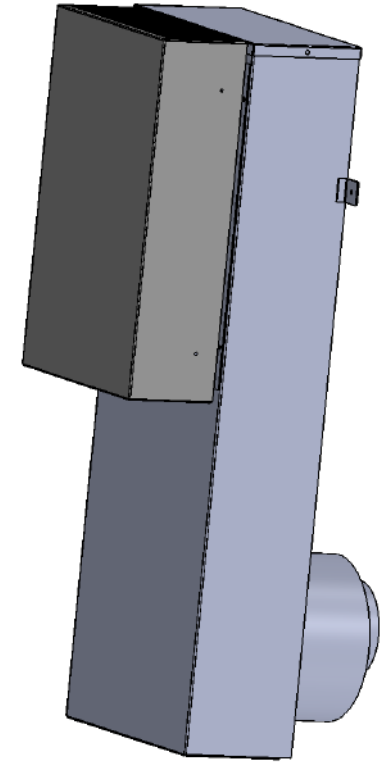
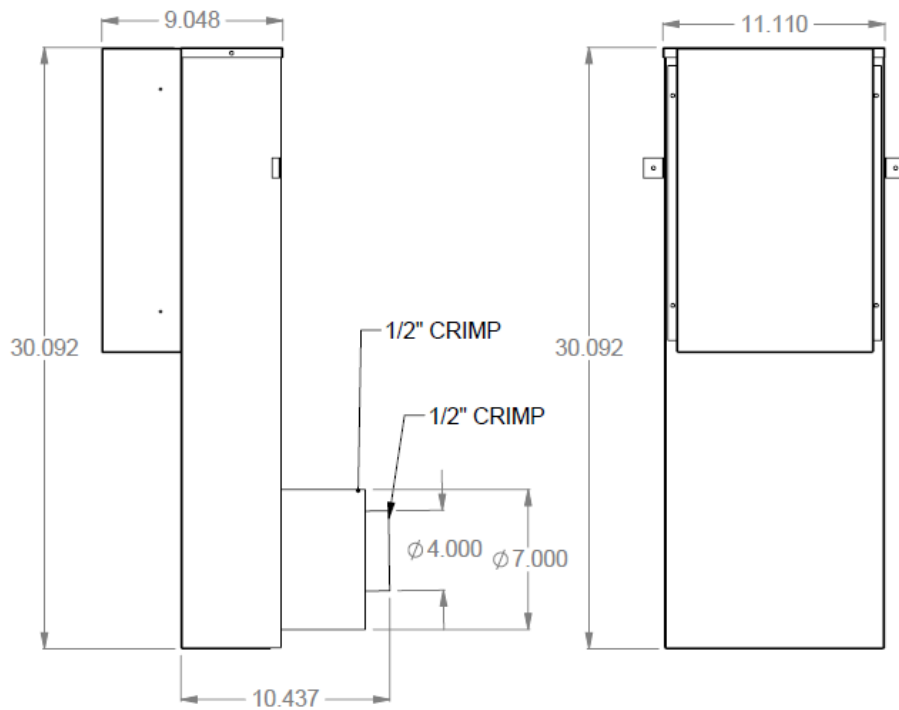
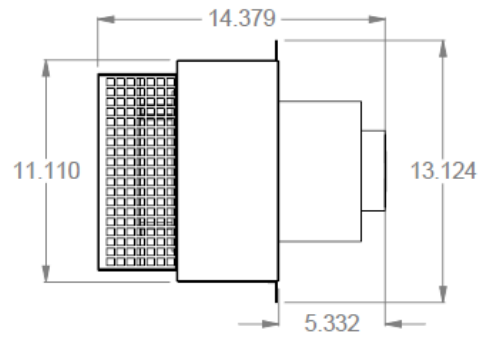


PTO4

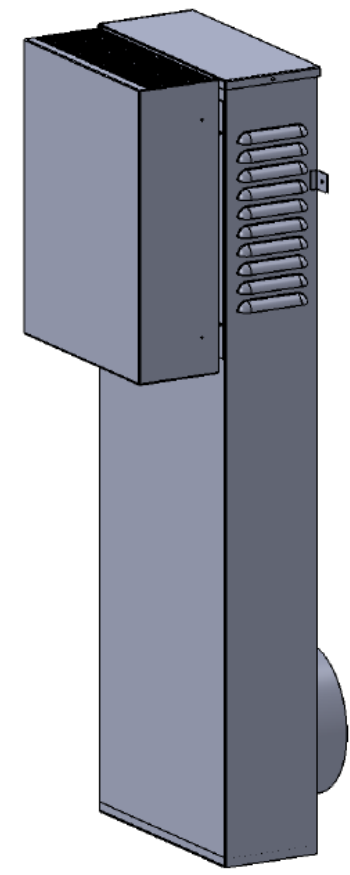
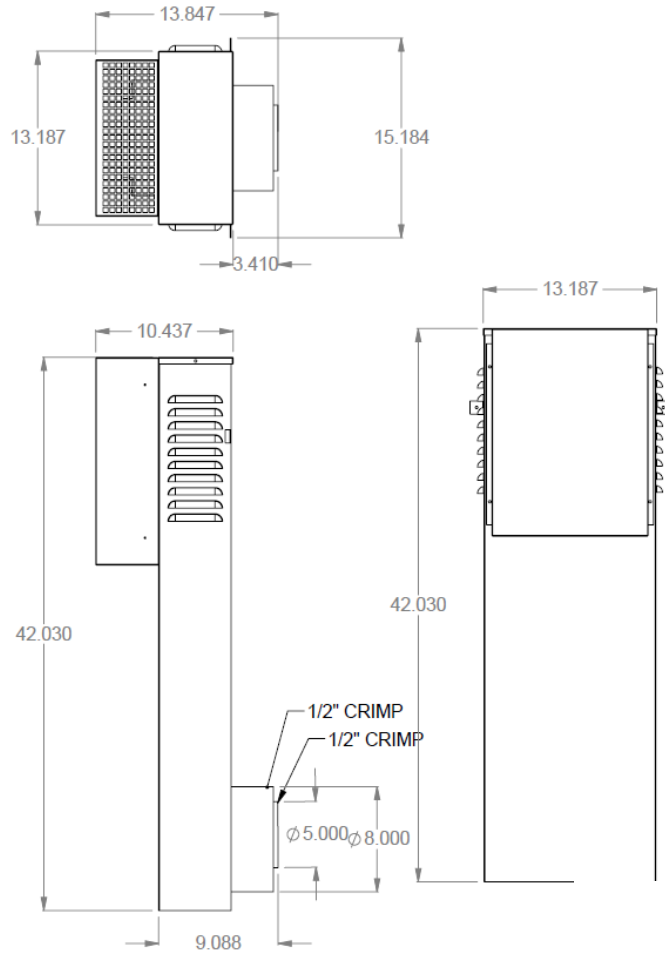


PTO4F





SNK47-2 Shown. Also available with an 30" rise (overall height 42"), part SNK47-3



SNK58-3 Shown. Also available with an 18" rise (overall height 30"), part SNK58-2

NOTES

- Not all venting components have been featured in this document. Please consult the current price list for more information
- Product specification are subject to change

MONTIGO®

the art of **fireplaces**